

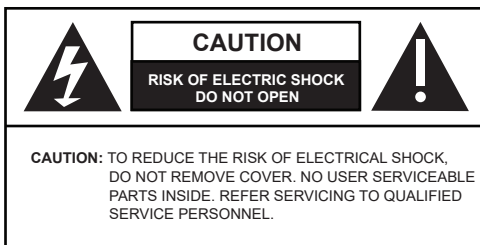


The Vi00016 can be used virtually with any network switches or Midspans to combine the PoE output of two ports and double the PoE power. It increases PoE power beyond the normal 30W to provide power for extended distance applications and those requiring high power PoE++. The Vi00016 is easy to install and does not require any modification to the PoE source devices.

The Vi00016 is an ideal solution for applications where the PoE power of a single port is limited and connected devices require higher PoE power.

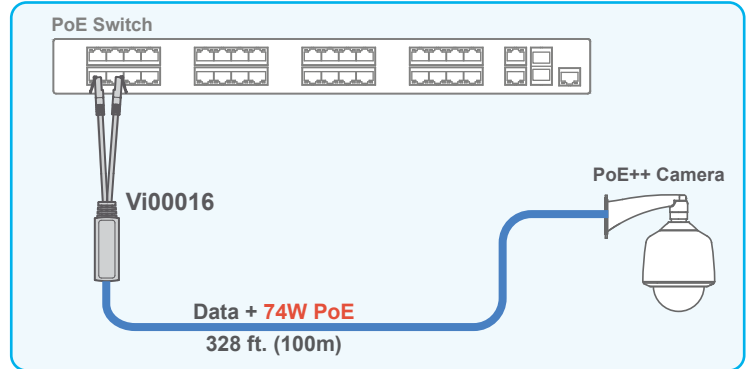
Important Safety Warning

- Read these instructions.
- Keep these instructions.
- Heed all warnings.
- Follow all instructions.
- Do not use this apparatus near water.
- Clean only with a dry cloth.
- Install in accordance with the manufacturer's instructions.
- This installation should be made by a qualified service person and should conform to all local codes.
- DO NOT bundle low voltage wires in the same conduit as high-voltage wiring.
- To reduce the risk of fire or electrical shock, do not expose these products to rain, moisture, dripping or splashing.
- No objects filled with liquids, such as vases, shall be placed on Vigitron equipment.
- DO NOT install the unit in a place where the operating ambient temperature exceeds 75° C.
- Do not install near any heat sources such as radiators, heat registers, stoves or other apparatus that produce heat.
- Only use attachments/accessories specified by the manufacturer.
- Refer all servicing to qualified service personnel. Servicing is required when the apparatus has been damaged in any way, such as a power supply cord or plug is damaged, liquid has been spilled, or objects have fallen into the apparatus, the apparatus has been exposed to rain or moisture, does not operate normally, or has been dropped.



WARNING! - To reduce the risk of fire or electric shock, do not expose this apparatus to rain or moisture. This apparatus should not be exposed to dripping or splashing and no objects filled with liquids, such as vases should be placed on the apparatus.

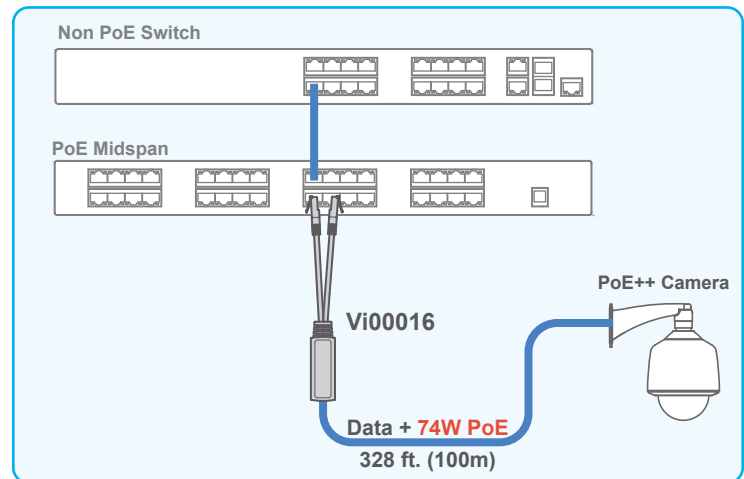
Installation for PoE Switches



The Vi00016 enables combining power from 2 PoE ports of a PoE switch to power PoE++ cameras.

- Connect the Gray cable to the port with data and PoE.
- Connect the Blue cable to the port with PoE.
- Available PoE power will be the sum of the PoE power from both ports.
- Connect the female RG45 of Vi00016 to the network cable.
- Connect the other end of the network cable to the PoE camera.

Installation for PoE Midspans



The Vi00016 enables combining power from 2 PoE ports of a PoE Midspan to power PoE++ cameras.

- Connect one port of the network switch to one input ports of the PoE Midspan.
- Connect the Gray cable to the corresponding output port which carry data and PoE.
- Connect the Blue cable to another output port of PoE Midspan. This port carry PoE only.
- Available PoE power will be the sum of the PoE power from both ports.
- Connect the female RG45 of Vi00016 to the network cable.
- Connect the other end of the network cable to the PoE camera.

Technical Specifications*

Electrical

Connections PoE: **Blue** Cat6 Cable and Male RJ45 Connector
PoE and Data: **Gray** Cat6 Cable and Male RJ45 Connector
PoE and Data: Female RJ45 Connector

PoE Handling Capacity

Inputs up to 37W on each input

Output up to 74W

Regulatory

Safety CE

Environmental RoHS, WEEE

Environmental

Humidity 0 to 95%, non-condensing

Temperature Operating: -40°C to +60°C
Storage: -40°C to +75°C

Mechanical

Dimensions 0.8 x 0.84 x 1.90 in, 2.03 x 2.13 x 4.83 cm (HxWxL)
w/ two 10 in (25 cm) Pigtail Cables

Weight 0.073 lb (33g)

Housing ABS

*Specifications subject to change without notice.
Compatibility with standard switches and Midspans will depend on their firmware.



Limited Lifetime Warranty

Vigatron, Inc. warrants that all Vigatron products ("Product"), if used in accordance with these instructions, will be free of defects in material and workmanship for lifetime defined as the duration period of time until product end of life is announced. After which Vigatron will continue to provide warranty services for a period of 3 years. Period covering valid warranty will be determined by proof of purchase in the form of an invoice from an authorized Vigatron dealer.

Warranty will only be provided for as long as the original end user purchaser owns the product. Warranty is not transferrable. At Vigatron's option, defective product will be repaired, replaced or substituted with a product of equal value. This warranty does not apply if, in the judgment of Vigatron, Inc., the Product fails due to damage from shipment, handling, storage, accident, abuse or misuse, or if it has been used or maintained not conforming to Product manual instructions, has been modified, or serial number removed or defaced. Repair by anyone other than Vigatron, Inc. or an approved agent will void this warranty. Vigatron, Inc. shall not under any circumstances be liable to any person for any incidental, indirect or consequential damages, including damages resulting from use or malfunction of the product, loss of profits or revenues or costs of replacement goods. The maximum liability of Vigatron, Inc. under this warranty is limited to the original purchase price of the Product only.