

Vi2316A

16-port Ethernet Extender over UTP



Features

- Extends Ethernet beyond 328 feet (100 m) limitation up to 3,000 feet (914 m) over UTP
- Extended Pass Through PoE (PTP™) compatible with 802.3af, at, bt up to 74W
- MegaPixel Certified (MPC™) High data rate, ideal for high bandwidth requirements of MegaPixel cameras, multiple IP cameras systems and cameras requiring Jumbo Frames
- Symmetric Bandwidth (SBW™) provides consistent upload and download with Virtual Zero Packet Loss (VZPL™)
- Type tested to RFC-2544 TCP/IP network bandwidth packet transmission standards
- Supports one-pair or four-pair UTP wires
- Type tested for -40°C to +75°C temperature range under conforming to NEMA-TS2
- Complies to major IEEE standards and RFC protocols for UDP, TCP/IP, HTTP/HTTPS



Applications

- Extending Ethernet distances beyond Ethernet 100m limit
- Retrofit analog CCTV installations into Digital systems
- Extending Networks in industrial environment
- CCTV System for Casinos, Airports, School Campuses

Vigtron's MaxiiCopper™ Vi2316A Extender brings new performance standards to the growing need for high speed transmission of full bandwidth Ethernet and PoE over extended distances including high power PTZ domes with heaters and blowers. Its unique Symmetric Bandwidth (SBW™) assures full bandwidth transmission is maintained over the entire operational distance for both uploads and downloads with Virtual Zero Packet Loss (VZPL™). Bandwidth assurance provides the ability to transmit multiple cameras on single camera runs with no information loss. The Vi2316A has a compact EIA 19" 1U rack design for easy installation.

Extended Pass Through PoE (PTP™) up to 74W eliminates the need for additional cost for remote site power. Type tested under NEMA-TS2 environmental standards for -40°C to +75°C, this extender is the perfect solution for remote signal and power transmission for warehouses, parking lots, campuses, casinos, and many more. Best of all, the Vi2316A is MegaPixel Certified (MPC™), type tested to network packet performance standards, and major camera brand compatibility tested to assure you error free and reliable operations. The Vi2316A provides sixteen extended ports to meet requirements of a wide variety of CCTV system applications.

Installation cost savings, proven performance, and major camera brand compatibility all go into making the Vigtron's MaxiiCopper™ Vi2300A series your best choice for extended distance Ethernet and power transmission.



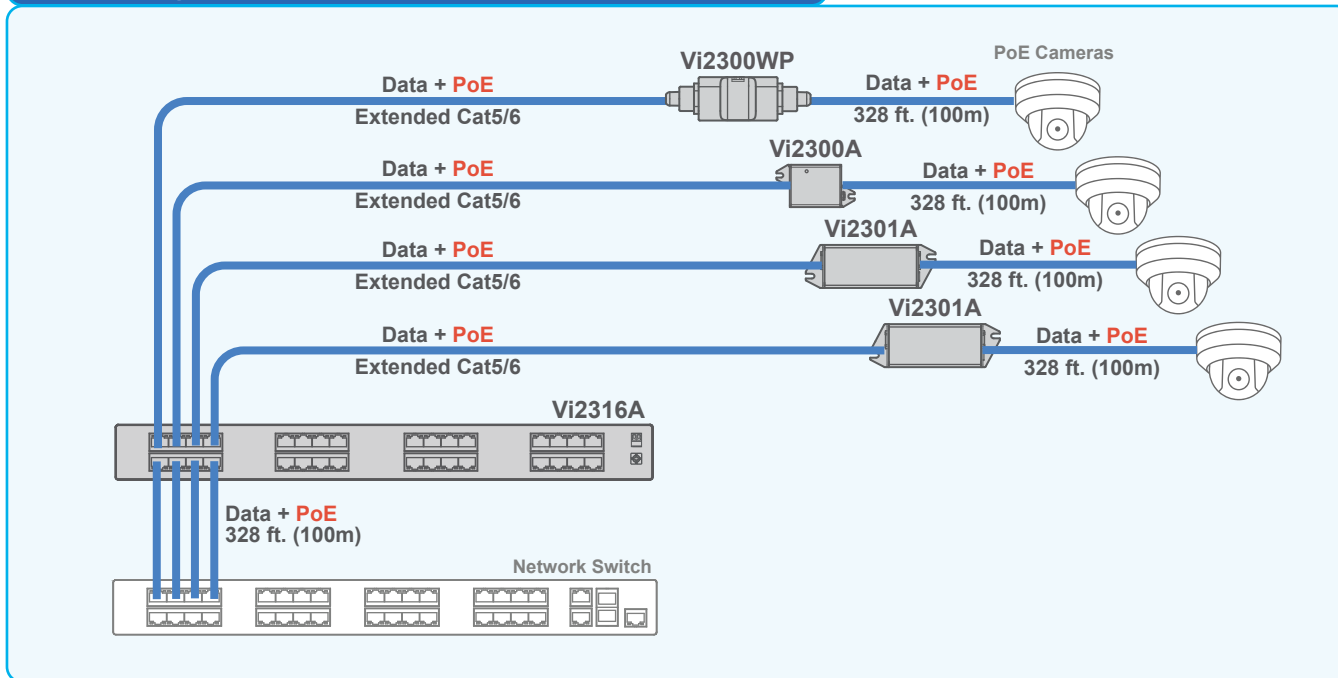
The Smart Choice for Transmission Solutions

www.vigtron.com

Application Drawings

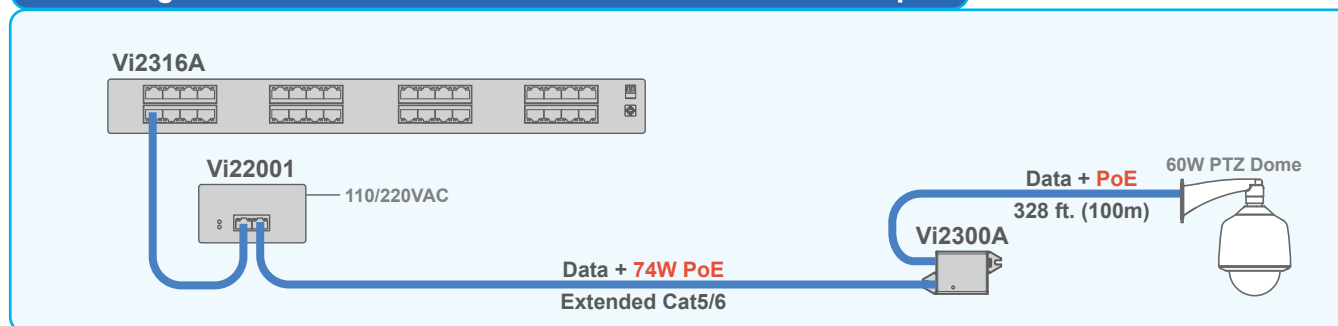
— Cat 5/6

Connecting Multiple PoE Cameras over Extended UTP



The Vi2316A and Vi230XXs can be used to connect multiple PoE cameras at extended distances.

Extending Ethernet and 74W PoE from a Switch & PoE Midspan



The Vi2316A and Vi2300A extend Ethernet and 74W PoE from a PoE Midspan.

Technical Specification

Electrical

Ethernet Interface	Standard 10/100BaseT
Ethernet Rate	Auto select 10/100 Mb/s Full speed / full duplex at maximum rated distance
UTP	100 Ohm +/- 20%, Cat5 or better 10-BaseT: up to 3,000 ft. (914 m) 100-BaseT: up to 2,100 ft. (640 m)
Power Consumption*	12 VDC@ 600 mA (max.)
Status LEDs	Power On Standard Ethernet: Traffic, Link Extended Ethernet: Traffic, 10/100BaseT
Connectors	Ethernet Interface: RJ-45 Connector Extended Interface: RJ-45 Connector Power: Pluggable Terminal Block
RFC	2544 TCP/IP Packet Transmission
PoE Compatibility	IEEE 802.3af, at, bt up to 74W
RFC	768 UDP, 2068 HTTP, 793 TCP 791 IP, 1783 TFTP, 894 IP over Ethernet
Jumbo Frame	Up to 9,600 bytes

Environmental

Humidity	0 to 95%, non-condensing
Temperature	Operating: -40°C to +75°C Storage: -40°C to +85°C

Mechanical

Dimensions	1.6x3.6x17 in., 4.1x9.2x43.2 cm (HxWxL)
Weight	0.584 lb, 265 g
Material	Aluminum

Accessories

Rack mount brackets

* Specifications subject to change without notice.

Ordering Information

Part No. Description

Vi2316A	16-port UTP Ethernet Extender
---------	-------------------------------

Related Products

Part No. Description

Vi2300A	Single port Mini UTP Ethernet Extender
Vi2301A	Single port UTP Ethernet Extender
Vi2301AU	Single port UTP Ethernet Extender
Vi2300WP	Single port IP67 UTP Ethernet Extender
Vi2304A	4-port UTP Ethernet Extender
Vi2308A	8-port UTP Ethernet Extender
Vi2508	8-port Extended UTP Midspan
Vi2516	16-port Extended UTP Midspan
Vi2701RX	Single port Extended UTP Midspan
Vi0012	12 VDC Wall-mount Power Supply

Data and PoE Distance ¹

Data Rate	4-Pair ² (Data + PoE class 2)	1-Pair (Data only)
10BaseT	n/a	3,000 ft. (914 m)
100BaseT	2,100 ft. (636 m)	1,000 ft. (303 m)

1. Distance figures are obtained using in house testing mirroring installations. Factors such as cabling, connections, use of power and environmental conditions may affect actual distances and should be taken into consideration.
2. Specifications reflect operating using Pass Through PoE (PTP™) providing power for both transceivers and camera from a single source. Distances may increase if transceivers are locally powered.

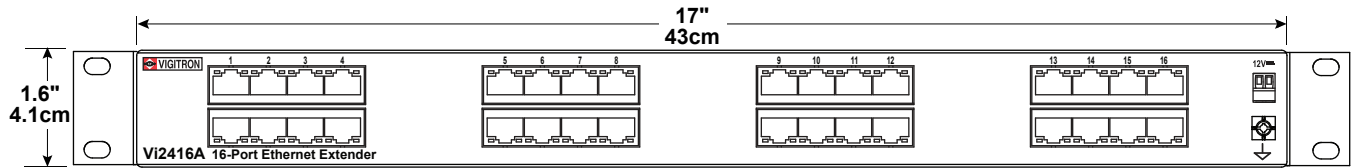


TEL (+1) 858-484-5209 • FAX (+1) 858-484-1205

7810 Trade Street, Suite 100, San Diego, CA 92121, USA • support@vigatron.com • www.vigatron.com

© Copyright 2020 Vigatron, Inc.

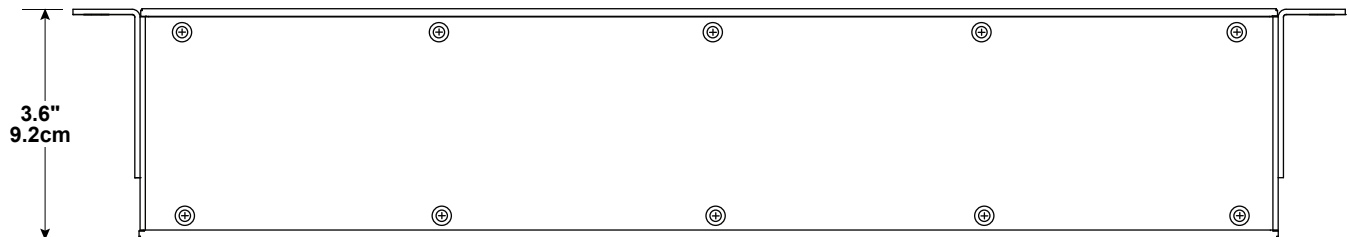
Mechanical Drawings



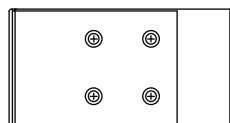
Front View



Rear View



Top View



Side View