

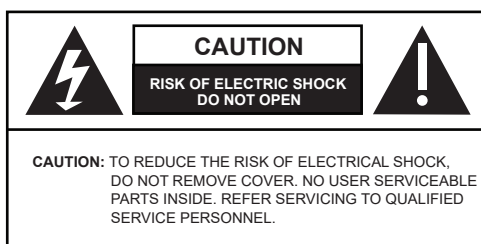
Vi2400A Ethernet Extender over Coax Installation Manual

The MaxiiCopper Mini Model Vi2400A is a very compact data transmission device that extends full-duplex High-Speed Ethernet over existing coax infrastructures. It extends 10BaseT signals up to 5,000 ft (1,524m) and 100BaseT up to 1,800 ft (548m). It can fit in most camera housings and junction boxes. With Pass Through PoE (PTP™), it can handle up to 30W PoE power. It employs *MaxiiCopper™* innovative and unique Ethernet extension technology that is designed to take full advantage of high-bandwidth networking cables and maintain a full-duplex 10 or 100Mb/s Ethernet connection up to the maximum range with minimum transmission error and latency. Vi2400A can connect multiple remote network devices such as Mega-pixel IP cameras or VoIP to a central LAN switching fabric with ease. Its automatic dual-rate capability feature balances the best possible network throughput and long-reach distance.

The Vi2400A is a transmitter device and needs to be deployed on the camera end. The data rate between the remote and central locations is automatically set based on the distance. It is equipped with LEDs to provide link status and configured data rate. No IP setting or configurations are required and it is completely transparent to the corporate IP network and higher layer protocols. The Coax cable needs to be point to point without any branches and multiple segments can be joined together using barrel connectors.

Important Safety Warning

- Read these instructions.
- Keep these instructions.
- Heed all warnings.
- Follow all instructions.
- Do not use this apparatus near water.
- Clean only with a dry cloth.
- Install in accordance with the manufacturer's instructions.
- This installation should be made by a qualified service person and should conform to all local codes.
- DO NOT bundle UTP or Coax signals in the same conduit as high-voltage wiring.
- To reduce the risk of fire or electrical shock, do not expose these products to rain, moisture, dripping or splashing.
- No objects filled with liquids, such as vases, shall be placed on Vigitron equipment.
- DO NOT install the unit in a place where the operating ambient temperature exceeds 75°C.
- Make sure that the external power supply output voltage is in the recommended range.
- Do not install near any heat sources such as radiators, heat registers, stoves or other apparatus (including DVRs) that produce heat.
- Protect the power cord from being walked on or pinched particularly at plugs, convenience receptacles, and the point where they exit from the apparatus.
- Only use attachments/accessories specified by the manufacturer.
- Unplug this apparatus during lightning storms or when unused for long periods of time.
- Refer all servicing to qualified service personnel. Servicing is required when the apparatus has been damaged in any way, such as a power supply cord or plug is damaged, liquid has been spilled, or objects have fallen into the apparatus, the apparatus has been exposed to rain or moisture, does not operate normally, or has been dropped.
- The mains plug is used as the disconnect device and shall remain readily operable.

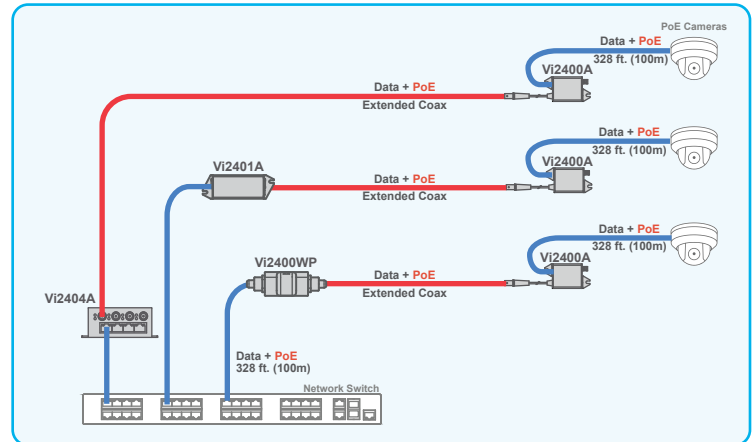


⚠ WARNING! - To reduce the risk of fire or electric shock, do not expose this apparatus to rain or moisture. This apparatus shall not be exposed to dripping or splashing and no objects filled with liquids, such as vases shall be placed on the apparatus.

⚠ WARNING! - This apparatus is a Class I product. This product must be connected to a mains socket outlet thru an AC to DC Power supply.

⚠ WARNING! - The mains plug is used as the disconnect device and shall remain readily operable.

Application Drawing



IP Camera-end Installation

- Ground the unit through the earth ground screw.
- Connect the IP camera RJ45 connector to the 10/100BaseT Ethernet port of Vi2400A using a standard Cat5/6 cable of maximum 100 m in length.
- Connect one end of the long coax cable to the BNC connector of Vi2400A.

The link LED on the 10/100 connector should be "ON" to indicate proper connection between the camera and Vi2400A.

Ethernet Switch/NVR-end Installation

- Use a Vi2401A/Vi2404A/Vi2408A or Vi2416A on the receiving side.
- If using a Vi2401A set the Master/Slave dip switch to "Slave" mode and Set the Remote/Local switch to Local.
- Connect the RJ45 connector of the Ethernet switch to the 10/100BaseT Ethernet port of Vi2401A using a standard Cat5/6 cable of maximum 100 m in length.
- Connect one end of the long coax cable to the BNC connector of Vi24xxA.

The link LED on the 10/100 Ethernet connector should be "ON" to indicate proper connection between the switch and Vi24xxA. Also the Traffic LED on the Coax side should be on and flashing to indicate proper connection. While the Link LED, Orange for 100BaseT and Green for 10BaseT, in a steady state will indicate confirmed connection between extenders.

Ethernet Switch/NVR-end Installation (Cont.)

- If the Vi2400A receives power using PoE, make certain the power adaptor is not connected. The Vi2400A and camera will receive power from the PSE source.
- If a PSE source such as a PoE network switch is not available, external power must be provided to the Vi2400A.

CAUTION:

If the external power adaptor is connected with no power applied the Vi2400A will not use PoE source and the system will be inoperative.

Technical Specifications*

Electrical

Ethernet Interface	Standard 10/100BaseT
Ethernet Rate	Auto select 10/100 Mb/s Full speed / full duplex at maximum rated distance
Coax (data only)**	75 Ohm, 5000 ft (1,524 m) at 10BaseT 1,800 ft (548 m) at 100BaseT
Coax (with PoE)**	3,000 ft (914m) at 10 BaseT 1,800 ft (546m) at 100 BaseT
Power Supply	12 VDC, 1.8 W w/POE af/at, 1.5 W w/external power supply
Connectors	Ethernet Interface: RJ-45 Connector Extended Interface: 11" mini Coax and Female BNC Power: IEC380-8 inlet

Environmental

Humidity	0 to 95%, non-condensing
Temperature	Operating: -40°C to +75°C Storage: -40°C to +85°C

Mechanical

Dimensions	0.83x1.6x2.2 in., 2.1x4.0x5.6 cm (HxWxL)
Weight	0.212 lb, 96 g
Material	Extruded Aluminum

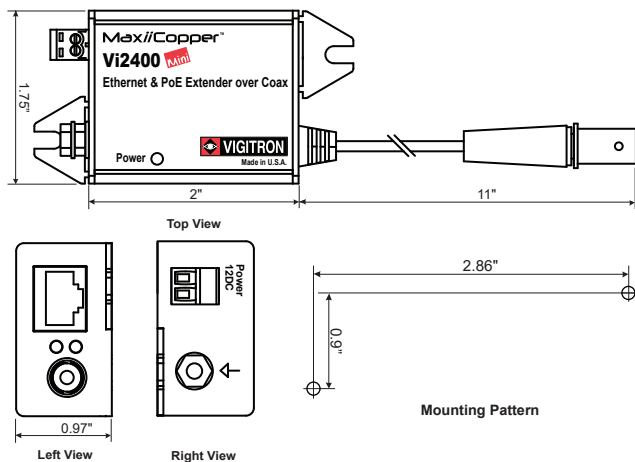
Accessories

12 VDC wall-mount power supply (optional)

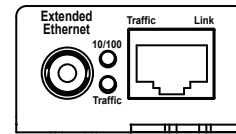
*Specifications subject to change without notice.

**Distance figures are obtained using in house testing mirroring installations. Factors such as cabling, connections, use of power and environmental conditions may affect actual distances and should be taken into consideration.

Drawings



Ethernet Status LEDs



LED Name	Color	Status	Function
Power	RED	OFF	Power is OFF
		ON	Power is ON
Traffic (Extended Side)	YELLOW	OFF	No Traffic
		FLASHING	Traffic
10/100 BaseT (Extended Side)	GREEN	ON	Connection is OK, 10BaseT Mode
		OFF	Connection is OK, 100BaseT Mode
Traffic (Standard Side)	GREEN	OFF	No connection
		FLASHING	Connection is OK with Traffic
Link (Standard Side)	YELLOW	OFF	No connection
		ON	Connection is OK

Ordering Information

Part No. Description

Vi2400A	Single port Mini Coax Ethernet Extender
---------	---

Ordering Information

Part No. Description

Vi2400WP	Single port IP67 Coax Ethernet Extender
Vi2401A	Single port Mini Coax Ethernet Extender
Vi2404A	4-port Coax Ethernet Extender
Vi2408A	8-port Coax Ethernet Extender
Vi2416A	16-port Coax Ethernet Extender
Vi2601	Single port Extended Coax Midspan
Vi2608	8-port Extended Coax Midspan
Vi2616	16-port Extended Coax Midspan
Vi0012	12 VDC Wall-mount Power Supply

Limited Lifetime Warranty

Vigtron, Inc. warrants that all Vigtron products ("Product"), if used in accordance with these instructions, will be free of defects in material and workmanship for lifetime defined as the duration period of time until product end of life is announcement. After which Vigtron will continue to provide warranty services for a period of 3 years. Period covering valid warranty will be determined by proof of purchase in the form of an invoice from an authorized Vigtron dealer.

Warranty will only be provided for as long as the original end user purchaser owns the product. Warranty is not transferrable. At Vigtron's option, defective product will be repaired, replaced or substituted with a product of equal value. This warranty does not apply if, in the judgment of Vigtron, Inc., the Product fails due to damage from shipment, handling, storage, accident, abuse or misuse, or if it has been used or maintained not conforming to Product manual instructions, has been modified, or serial number removed or defaced. Repair by anyone other than Vigtron, Inc. or an approved agent will void this warranty. Vigtron, Inc. shall not under any circumstances be liable to any person for any incidental, indirect or consequential damages, including damages resulting from use or malfunction of the product, loss of profits or revenues or costs of replacement goods. The maximum liability of Vigtron, Inc. under this warranty is limited to the original purchase price of the Product only.



TEL (+1) 858-484-5209 • FAX (+1) 858-484-1205

7810 Trade Street, Suite 100, San Diego, CA 92121, USA • support@vigtron.com • www.vigtron.com

© Copyright 2021 Vigtron, Inc.

Vi2400A_UM