

Vi2404A

4-port Ethernet Extender over Coax

Features

- Transmits Ethernet and PoE up to 5,000 feet (1,515 m) over Coax cables
- Provides 4 ports of extended Ethernet and PoE over Coax
- Provides Pass Through PoE (PTP™) compatible with 802.3af, at up to 36W
- Megapixel Certified (MP™) high data rate, ideal for high bandwidth requirements of Mega-pixel cameras, and cameras requiring Jumbo Frame
- Symmetric Bandwidth (SBW™) provides consistent upload and download with Virtual Zero Packet Loss (VZPL™) over total specified distance
- Type tested to RFC-2544 TCP/IP network bandwidth packet transmission standards
- Type tested for -40°C to +75°C temperature range under NEMA-TS2 testing standards
- Data rate is automatically set for maximum bandwidth utilization
- Complies to major IEEE standards and RFC protocols for UDP, TCP/IP, HTTP/HTTPS



Applications

- Upgrading analog CCTV installations into digital systems
- Extending networks in industrial environment
- CCTV system for casinos, airports, school campuses

Vigtron's MaxiiCopper™ Vi2404A Ethernet extender brings new performance standards to the growing need for high speed transmission full bandwidth Ethernet and power over extended distances. Its unique Symmetric Bandwidth (SBW™) assures full bandwidth transmission is maintained over the entire operational distance for both uploads and downloads with Virtual Zero Packet Loss (VZPL™). Bandwidth assurance also provides the ability to transmit multiple cameras on single cables runs.

Pass Through PoE (PTP™) eliminates the need for additional cost for remote site power while providing power for both transmitter and receiver. Type tested under NEMA-TS2 environmental operation standards between -40°C to +75°C, the Vi2404A is the perfect solution for remote signal and power transmission for warehouse, parking lot, campus and casino applications. Best of all, the Vi2404A is MegaPixel Certified (MPC™), type tested to network packet performance standards, and major camera brand compatible to assure you error free, quality operations. The Vi2404A provides four extended ports to meet requirements of a wide variety of CCTV system applications.

Installation cost savings, proven performance, and major camera brand compatibility all go into making the Vigtron's MaxiiCopper™ Vi2404A your best choice for extended distance IP data and power transmission.



The Smart Choice for Transmission Solutions

www.vigtron.com

Technical Specification*

Electrical

Ethernet Interface	Standard 10/100-BaseT
Ethernet Rate	Auto select 10/100 Mb/s Full speed / full duplex at maximum rated distance
Coax	75 Ohm, 5,000 feet (1,524 m) at 10-BaseT 1,800 feet (546 m) at 100BaseT
Power Consumption	12VDC@ 0.6 A (Max.)
Status LEDs	Power On Standard Ethernet: Traffic, Link Extended Ethernet: Traffic, 10/100BaseT
Connectors	Ethernet Interface: RJ-45 Connectors Extended Interface: Female BNCs Power: Pluggable Terminal Block
PoE Compatibility RFC	IEEE 802.3af, IEEE 802.3at 768 UDP, 2068 HTTP, 793 TCP 791 IP, 1783 TFTP, 894 IP over Ethernet 2544 TCP/IP Packet Transmission
Jumbo Frame Support	Up to 9,600 bytes

Regulatory

Safety	CE
Environmental	RoHS, WEEE

Environmental

Humidity	0 to 95%, non-condensing
Temperature	Operating: -40°C to +75°C Storage: -40°C to +85°C

Mechanical

Dimensions	1.15x3.6x3.3 in., 4.2x9.2x8.4 cm (HxWxL)
Weight	0.584 lb (265 g)
Material	Aluminum
Vi2404A:	1.15x3.6x3.3 in., 4.2x9.2x8.4 cm (HxWxL)

Accessories

Rack mount brackets

*Specifications subject to change without notice.

Ordering Information

Part No.	Description
Vi2404A	4-port Coax Ethernet Extender

Related Products

Part No.	Description
Vi2400A	Single port Mini Coax Ethernet Extender
Vi2400WP	Single port IP67 Coax Ethernet Extender
Vi2401A	Single port Coax Ethernet Extender
Vi2408A	8-port Coax Ethernet Extender
Vi2416A	16-port Coax Ethernet Extender
Vi2601	Single port Extended Coax Midspan
Vi2608	8-port Extended Coax Midspan
Vi2616	16-port Extended Coax Midspan
Vi0012	12 VDC Wall-mount Power Supply

Data and PoE Distance

Data Rate	Distance ¹ (without POE)	Distance ² (with POE)
10BaseT	5,000 ft. (1,515m)	3,000 ft. (914m)
100BaseT	1,800 ft. (546m)	1,800 ft. (546m)

1. Distance figures are obtained using in house testing mirroring installations. Factors such as cabling, connections, use of power and environmental conditions may affect actual distances and should be taken into consideration.

2. Distance figures are based on RG59U Coax cable and external power supply for extender and camera. Specifications reflect operating using Pass Through PoE (PTP™) providing power for both transceivers and camera from a single source. Distances may increase if transceivers are locally powered.

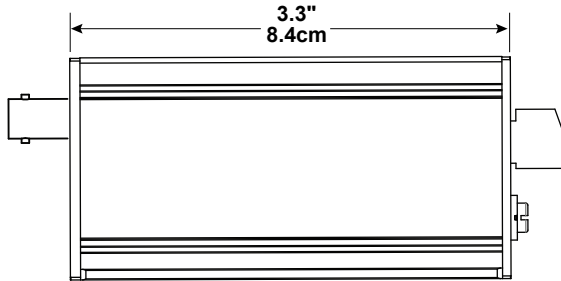


TEL (+1) 858-484-5209 • FAX (+1) 858-484-1205

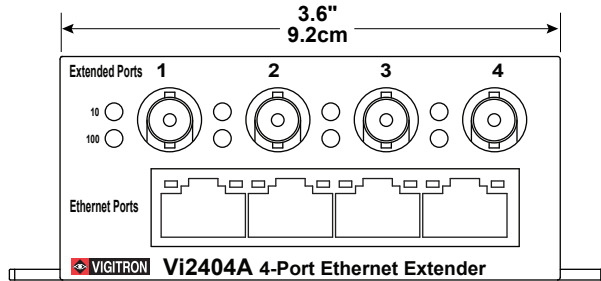
7810 Trade Street, Suite 100, San Diego, CA 92121, USA • support@vigatron.com • www.vigatron.com

© Copyright 2021 Vigatron, Inc.

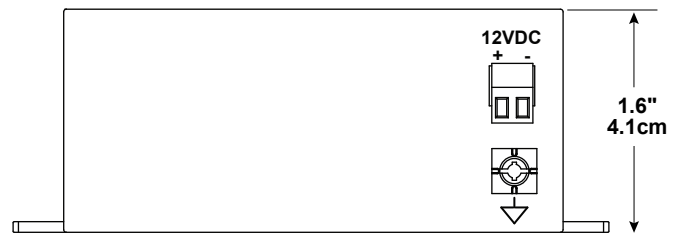
Mechanical Drawings



Side View



Front View

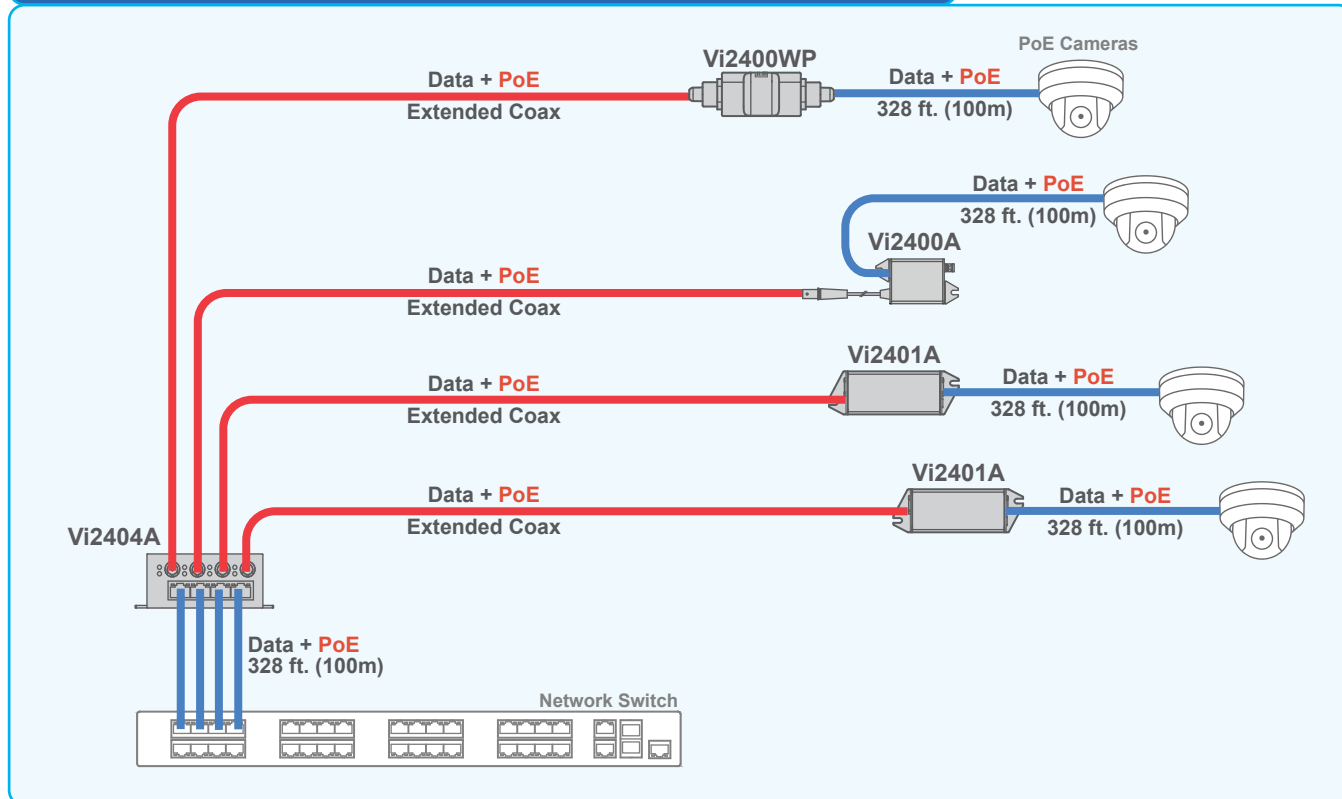


Rear View

Application Diagrams



Connecting Multiple PoE Cameras over Extended Coax Cables



The Vi2404A and Vi240XXs can be used to connect multiple PoE cameras at extended distances.