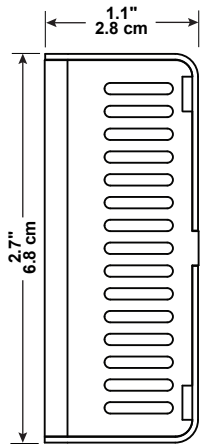
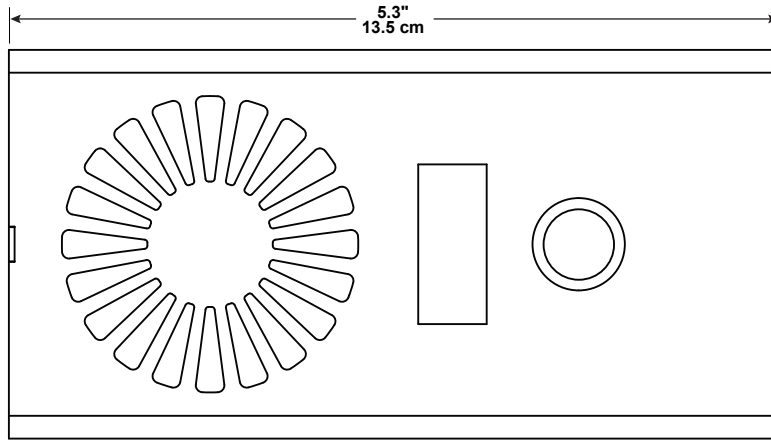


# Vi00024

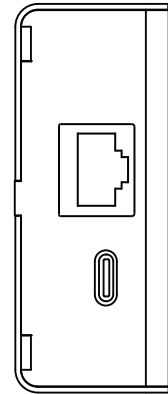
# Mechanical Drawings



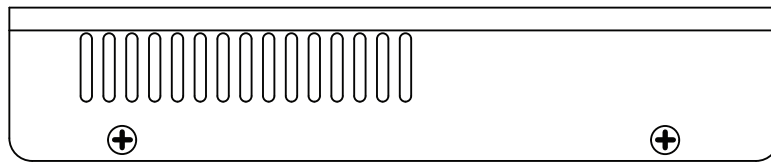
Front View



Top View



Rear View



Side View