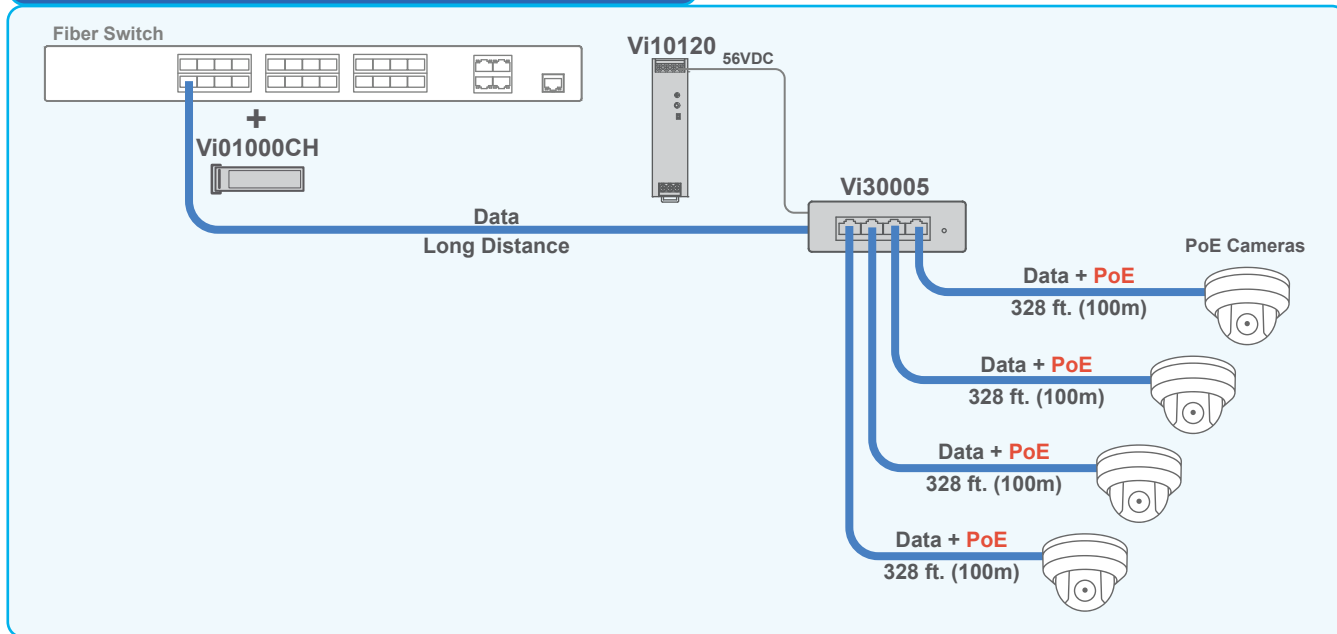


— Cat 5/6
— Fiber Optics

Adding Copper connection to a Fiber Switch



The Vi01000CH can be used to add extra copper ports to any fiber switch.