

Vi22501

30W Midspan with DC Input

Features

- Uses DC input 12-56VDC to provide PoE
- Enables converting existing analog CCTV systems to IP
- Powers 60W PoE cameras with only DC power source
- Compact design for use in environmental enclosures
- Wide operating temperature range -30°C to +50°C
- Auto sensing 10/100/1000Mbps data rate
- Din-rail mountable



Features

- Local PoE source for high power PoE devices such as high power PoE cameras and LED Lighting equipment requiring up to 30W
- Cost effective solution for using existing DC power sources when upgrading analog camera systems to IP cameras
- Using DC UPS systems for powering PoE equipment

Vigatron's Vi22501 is a 30W Midspan that accepts DC inputs from power sources 12VDC to 56VDC. It is an ideal solution for existing analog CCTV installations or locations with only local DC power to convert to PoE IP camera systems. It is compact in size with DIN Rail adapter that can easily be installed inside indoor or outdoor environmental housings. With PoE power up to 30W, the Vi22501 is a perfect solution for a wide range of cameras with only DC power sources available. It is hardened and offers a wide operating temperature range of -30°C to +50°C.

The Vi22501 is a cost-effective solution that enables using a wide range of DC power supplies for powering PoE devices.

Technical Specification*

Electrical

PoE Standard	IEEE 802.3af(15.4W), IEEE802.3at (30W)
Network Connectors	RJ45 X 2
DC Power Connector	2.5mm Round Barrel connector
Power Consumption	2.2W standby, 65W with full load
DC Power Input	12-56VDC @ 5.5A Max.
Data Rate	10/100/1000Mbps
Indicators	Power LED (Green); PoE LED (Green)
Data Interface and Complies	RFC 768 UDP, RFC 2068 HTTP RFC 793 TCP, RFC791 IP RFC 1783 TFTP, RFC 894 IP over Ethernet RFC 2544 TCP/IP Packet Transmission 802.3af, 802.3at, uPoE, 802.3bt

Ordering Information

Part No.	Description
----------	-------------

Vi22501	30W Midspan with DC Input
---------	---------------------------

Regulatory

Safety	CE
Environmental	RoHS, WEEE

Environmental

Humidity	0 to 90%, non-condensing
Temperature	Operating: -30°C to +50°C Storage: -40°C to +80°C

Mechanical

Dimensions	2x3.75x3.08 in., 5.1x9.5x7.8 cm (HxWxL)
Weight	0.75 lb (340 g)
Material	Extruded Aluminum

Included Accessories

Mounting clips
Din rail adapter

*Specifications subject to change without notice.

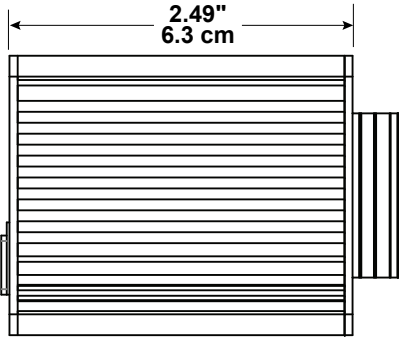


TEL (+1) 858 - 484 - 5209 • FAX (+1) 858 - 484 - 1205
7810 Trade Street, Suite 100, San Diego, CA 92121, USA • support@vigatron.com • www.vigatron.com

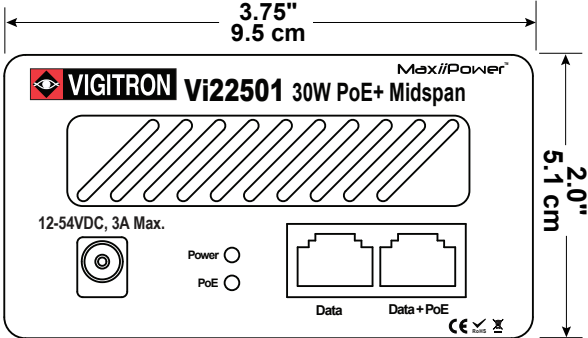


© Copyright 2022 Vigatron, Inc.

Mechanical Drawings



Side View

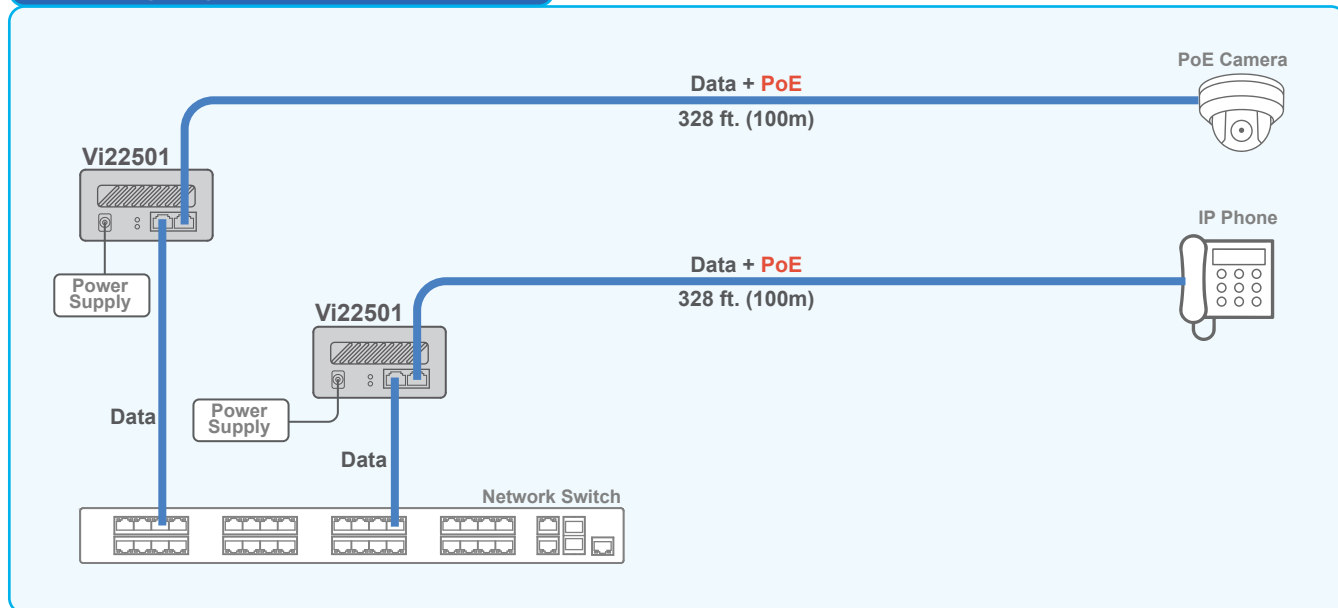


Front View

Application Drawings

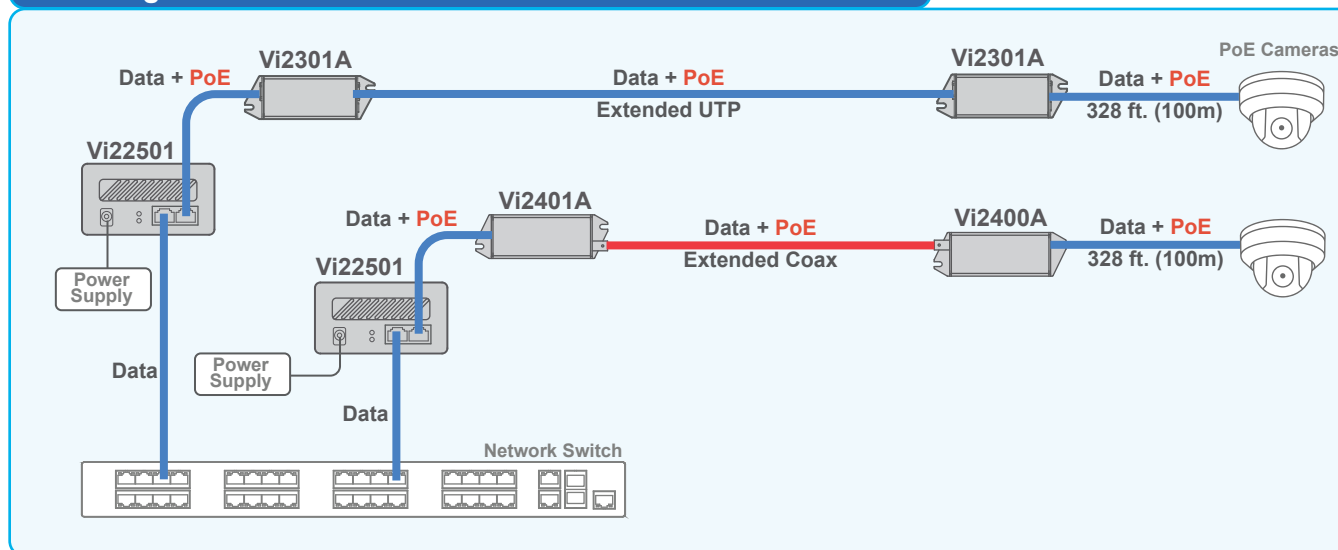


Powering High power PoE devices



The Vi22501 can power a wide range of PoE devices up to 30W.

Powering PoE cameras over Extended Coax and UTP Cables



The Vi22501 can power PoE devices at long distances over UTP or Coax cables when used with Vigitron Extenders.