

# Vi22601

## 60W PoE Midspan with DC Input

### Features

- Uses DC input 12-56VDC to provide PoE
- Enables converting existing analog CCTV systems to IP
- Powers 60W PoE cameras using DC power sources
- Compact design for use in environmental enclosures
- Wide operating temperature range -30°C to +50°C
- Auto sensing 10/100/1000Mbps data rate
- Din-rail mountable



### Features

- A cost effective solution for reusing existing DC power sources when upgrading analog camera systems to IP cameras
- Using DC power supplies to provide up to 60W PoE to high power PoE devices such as PTZ domes and LED Lighting equipment

Vigatron's Vi22601 is a 60W Midspan that accepts DC inputs from power sources 12VDC to 56VDC. It is an ideal solution for existing analog CCTV installations or locations with only local DC power to convert to PoE IP camera systems. It is compact in size with DIN Rail adapter that can easily be installed inside indoor or outdoor environmental housings. With PoE power up to 60W, the Vi22601 is a perfect solution for outdoor PTZ cameras with only DC power sources available. It is hardened and offers a wide operating temperature range of -30°C to +50°C.

The Vi22601 is a cost-effective solution that enables using a wide range of DC power supplies for powering PoE devices.

# Technical Specification\*

## Electrical

PoE Standard	IEEE 802.3af(15.4W), IEEE802.3at (30W), UPoE up to (60W)
Network Connectors	RJ45 X 2
DC Power Connector	2-pin Detachable Terminal Block
Power Consumption	2.2W standby, 65W with full load
DC Power Input	12-56VDC @ 5.5A Max.
Data Rate	10/100/1000Mbps
Indicators	Power: Green LED PoE: Green LED
Data Interface and Compliances	RFC 768 UDP, RFC 2068 HTTP RFC 793 TCP, RFC791 IP RFC 1783 TFTP, RFC 894 IP over Ethernet RFC 2544 TCP/IP Packet Transmission IEEE802.3af, IEEE802.3at, UPoE

## Ordering Information

Part No.	Description
----------	-------------

Vi22601	60W Midspan with DC Input
---------	---------------------------

## Regulatory

Safety	CE
Environmental	RoHS, WEEE

## Environmental

Humidity	0 to 90%, non-condensing
Temperature	Operating: -30°C to +50°C Storage: -40°C to +80°C

## Mechanical

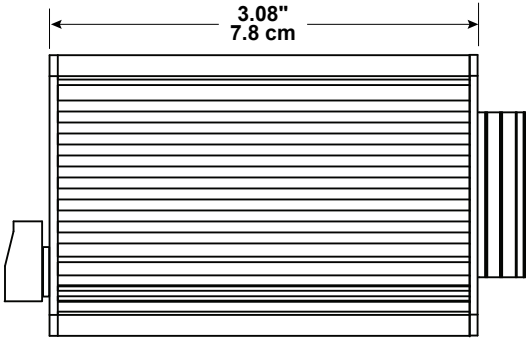
Dimensions	2x3.75x3.08 in., 5.1x9.5x7.8 cm (HxWxL)
Weight	0.75 lb (340 g)
Material	Extruded Aluminum

## Included Accessories

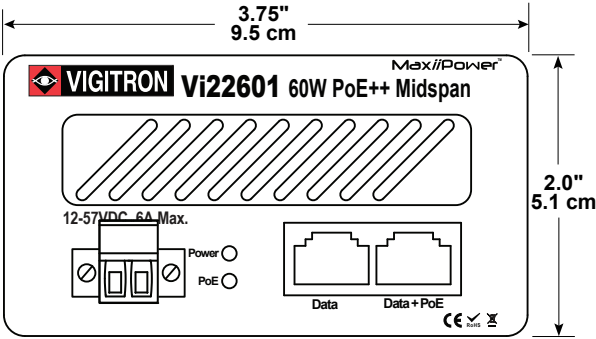
Mounting clips
Din rail adapter



# Mechanical Drawings



Side View

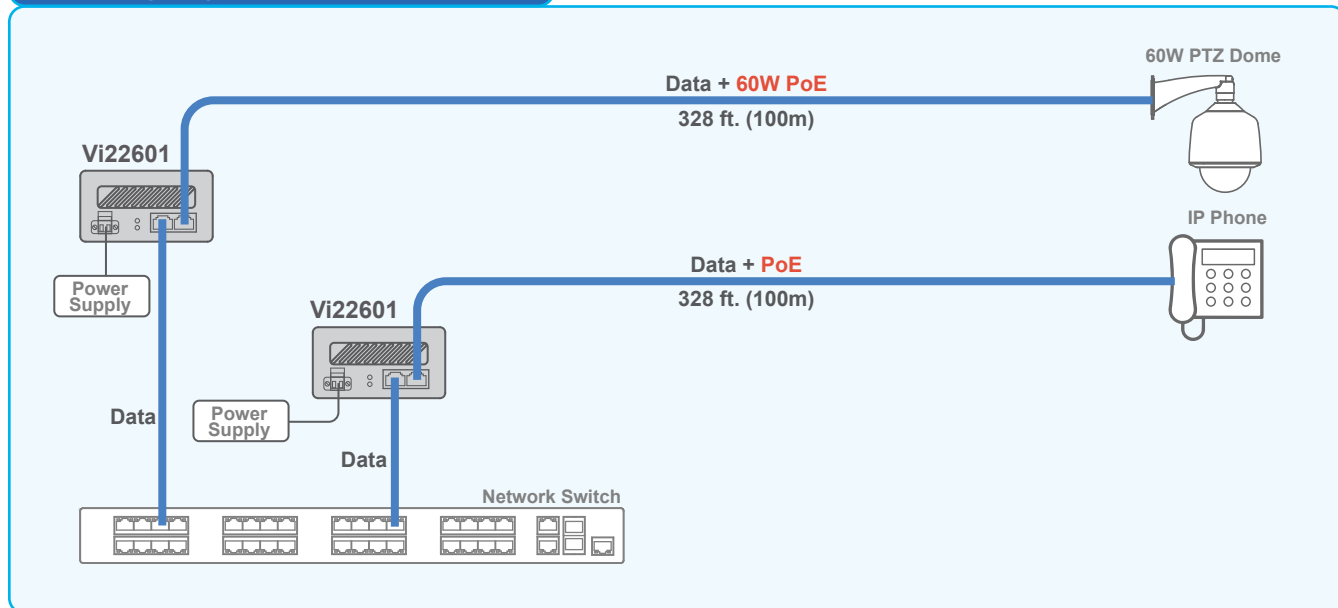


Front View

# Application Drawings

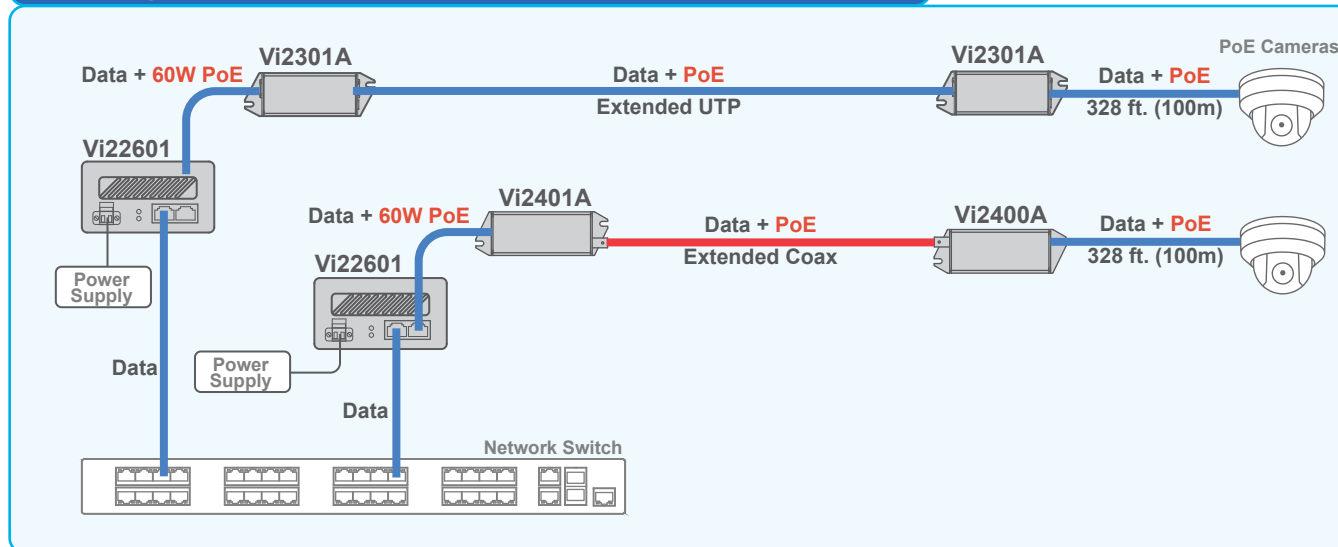


## Powering High power PoE devices



The Vi22601 can power high power PoE devices up to 60W.

## Powering PoE cameras over Extended Coax and UTP Cables



The Vi22601 can power PoE devices at long distances over UTP or Coax cables when used with Vigitrn Extenders.