



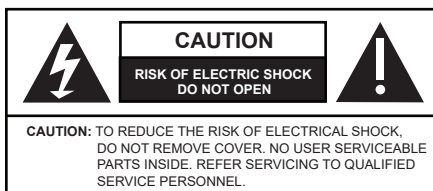
The MaxiiPower Model Vi22601 is a unique single port PoE Midspan, with wide range DC input, designed for the most demanding power applications of 10/100/1000 Base-T networks. It is compliant with IEEE802.3af, IEEE802.3at standards and UPoE up to 60W and. It is the a cost effective method for powering PTZ cameras.

It is equipped with LEDs that provide power status. No IP setting or configurations are required. It is completely transparent to the Ethernet network and higher layer protocols.

The Vi22601 is smaller, lighter and easier to fit in environmental enclosures than most single port PoE Midspans.

Important Safety Warning

- Read these instructions.
- Keep these instructions.
- Heed all warnings.
- Follow all instructions.
- Do not use this apparatus near water.
- Clean only with a dry cloth.
- Install in accordance with the manufacturer's instructions.
- This installation should be made by a qualified service person and should conform to all local codes.
- DO NOT bundle UTP signal wires in the same conduit as high-voltage wiring.
- To reduce the risk of fire or electrical shock, do not expose these products to rain, moisture, dripping or splashing.
- No objects filled with liquids, such as vases, shall be placed on Vigitron equipment.
- Make sure that the external power supply output voltage is in the recommended range.
- Do not install near any heat sources such as radiators, heat registers, stoves or other apparatus that produce heat.
- Protect the power cord from being walked on or pinched particularly at plugs, convenience receptacles, and the point where they exit from the apparatus.
- Only use attachments/accessories specified by the manufacturer.
- Unplug this apparatus during lightning storms or when unused for long periods of time.
- Refer all servicing to qualified service personnel. Servicing is required when the apparatus has been damaged in any way, such as a power supply cord or plug is damaged, liquid has been spilled, or objects have fallen into the apparatus, the apparatus has been exposed to rain or moisture, does not operate normally, or has been dropped.
- The mains plug is used as the disconnect device and shall remain readily operable.

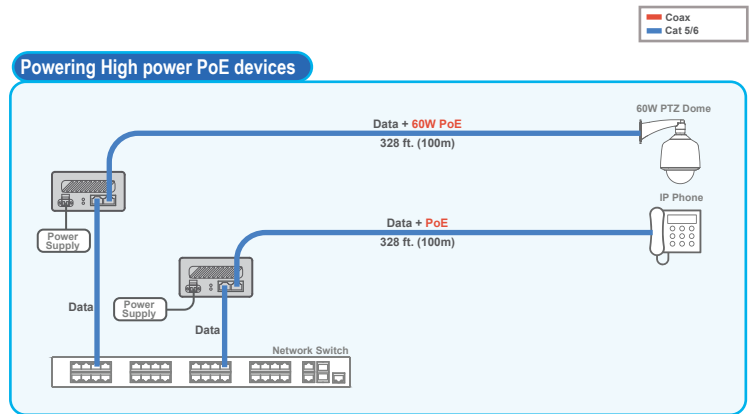


⚠ WARNING! - To reduce the risk of fire or electric shock, do not expose this apparatus to rain or moisture. This apparatus shall not be exposed to dripping or splashing and no objects filled with liquids, such as vases shall be placed on the apparatus.

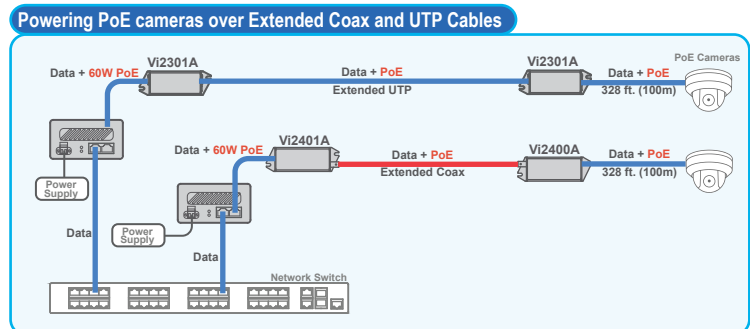
⚠ WARNING! - This apparatus is a Class I product. This product must be connected to a mains socket outlet through an AC to DC Power supply when using DC input.

⚠ WARNING! - The mains plug is used as the disconnect device and shall remain readily operable.

Application Drawing



The Vi22601 can power high power PoE devices up to 60W.



The Vi22601 can power PoE devices at long distances over UTP or Coax cables when used with Vigitron Extenders.

IP Camera-end Installation

- Connect the UTP Cables (Cat5/6) from the IP camera or other PoE powered device to the Data + PoE RJ45 connector of Vi22601. The cable must be a Cat5/6 with a maximum length of 100m (328 feet).

Ethernet Switch/NVR-end Installation

- Connect the UTP Cable (Cat5/6) from the Ethernet switch to the Data RJ45 connector of Vi22601. The total length of UTP cable from network switch to the powered PoE device should not exceed 100m (328 feet).
- Connect a DC power supply range 12VDC - 56VDC to the Vi22601 unit with the provided round 5.5 x 2.5 mm DC plug.

Technical Specifications*

Electrical

Ethernet Interface	Standard 10/100/1000 BaseTX
UTP	Category-5 (or higher)
Output Power	60W @ 56VDC
DC Input Power	12-54VDC, 3A Max.
PoE Standards	IEEE802.3af, IEEE802.3at, UPoE up to 60W
Status LEDs	Power: Green PoE On: Green
Connectors	Input Interface: Shielded RJ-45 Output Interface: Shielded RJ-45 Main Power: 2-pin Detachable Terminal Block

Regulatory

Safety	CE
Environmental	RoHS, WEEE

Environmental

Humidity	0 to 90%, non-condensing
Temperature	Operating: -30°C to + 65°C Storage: -40°C to + 80°C

Mechanical

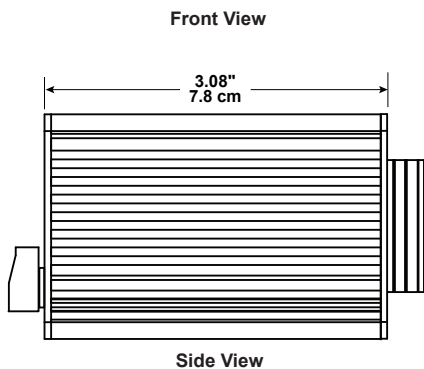
Dimensions	2x3.75x2.49 in., 5.1x9.5x6.3 cm (HxWxL)
Weight	0.64 lb (288 g)
Material	Extruded Aluminum

Included Accessories

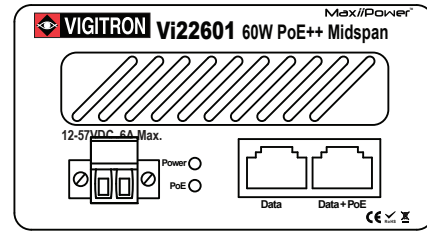
- Desk/Wall Mounting Clips
- Din rail adapter

*Specifications subject to change without notice.

Drawings



Status LEDs



LED Name	Color	Status	Function
Power	GREEN	OFF	Power is OFF
		ON	Power is ON
PoE	GREEN	OFF	PoE output is OFF
		ON	PoE output is ON

Ordering Information

Ordering Information

Part No.

Vi22601 Single Port 30W PoE ++ Midspan w/ DC input

Limited Lifetime Warranty

Vigatron, Inc. warrants that all Vigatron products ("Product"), if used in accordance with these instructions, will be free of defects in material and workmanship for lifetime defined as the duration period of time until product end of life is announced. After which Vigatron will continue to provide warranty services for a period of 3 years. Period covering valid warranty will be determined by proof of purchase in the form of an invoice from an authorized Vigatron dealer.

Warranty will only be provided for as long as the original end user purchaser owns the product. Warranty is not transferable. At Vigatron's option, defective product will be repaired, replaced or substituted with a product of equal value. This warranty does not apply if, in the judgment of Vigatron, Inc., the Product fails due to damage from shipment, handling, storage, accident, abuse or misuse, or if it has been used or maintained not conforming to Product manual instructions, has been modified, or serial number removed or defaced. Repair by anyone other than Vigatron, Inc. or an approved agent will void this warranty. Vigatron, Inc. shall not under any circumstances be liable to any person for any incidental, indirect or consequential damages, including damages resulting from use or malfunction of the product, loss of profits or revenues or costs of replacement goods. The maximum liability of Vigatron, Inc. under this warranty is limited to the original purchase price of the Product only.



TEL (+1) 858-484-5209 • FAX (+1) 858-484-1205

7810 Trade Street, Suite 100, San Diego, CA 92121, USA • support@vigatron.com • www.vigatron.com

© Copyright 2022 Vigatron, Inc.