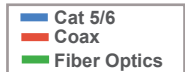
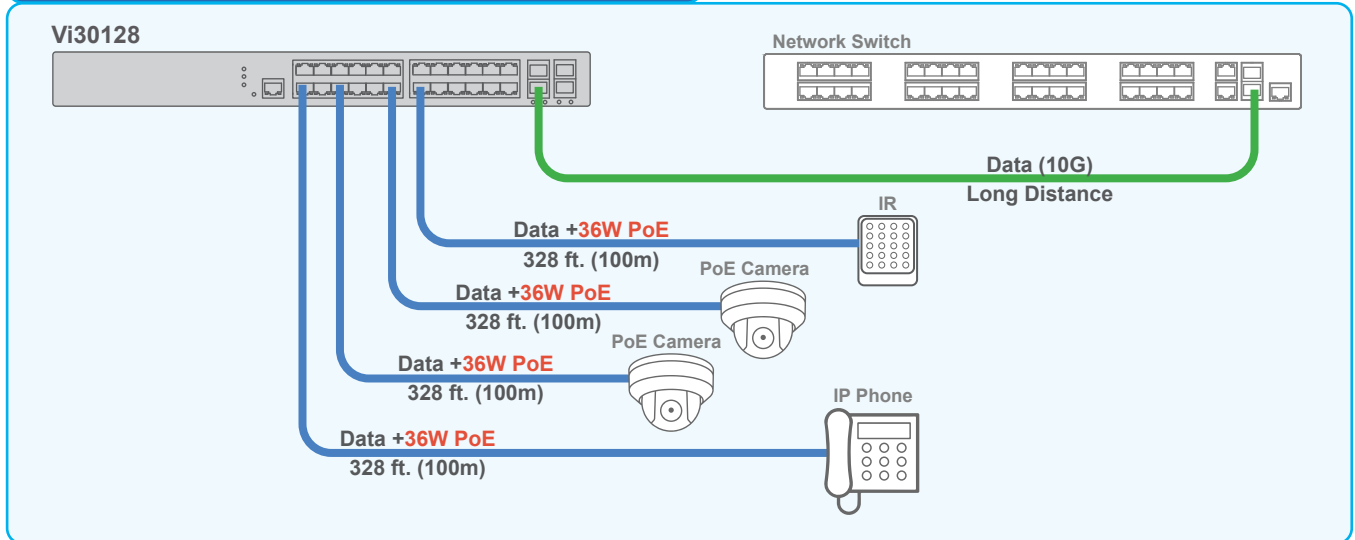


Vi30128

Application Drawings

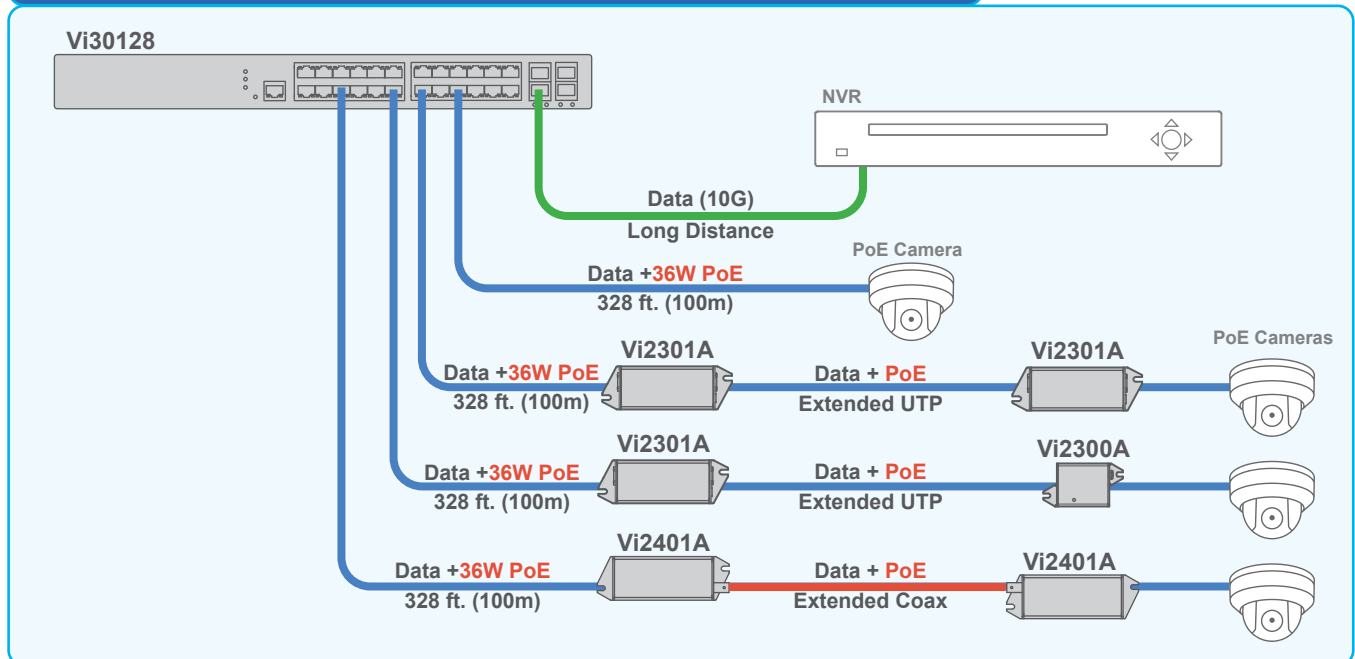


Connecting multiple IP devices and switches



The Vi30128 can be used with a wide variety of IP devices to provide up to 36W on each port to PoE devices.

Connecting PoE cameras over extended Coax and UTP to NVRs



The Vi30128 can be used with extenders to communicate with IP devices over extended distance UTP or Coax.