

Vi1003M

Twisted Pair Video Balun

Features

- Quality video over 1,000 ft. (305 m)* of unshielded twisted pair wires
- 3,000 ft. (915 m) with Vigitron active receivers
- NTSC, PAL and SECAM video formats
- Support for "up-the-coax" type signals
- No power required
- Built-in differential surge protection
- 60 dB crosstalk and noise immunity
- Compact size and easy installation
- Compatible with all qualified UTP cameras
- Limited lifetime warranty



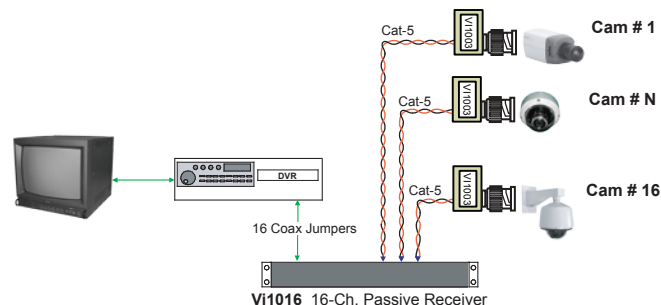
Applications

- Security and surveillance
- Elevator surveillance
- Casino security
- Hospitals and airports
- School campuses

The Vigitron Vi1003M is a passive transmission device that transports video signals over unshielded twisted pair wires, point-to-point, for distances up to 1,000 ft.* (305 m). Distances up to 3,000 ft. (915 m) can be achieved when it is used with Vigitron Active UTP Receivers. It uses Category 2-7 twisted pair wires, is easy to install, cost effective and does not require power. The Vi1003M's unique and compact design allows mounting directly to the video source or receiver without any additional cabling. The Vi1003M is compatible with all qualified cameras with built-in twisted pair transmitters.

The Vi1003M has built-in surge suppression to protect video equipment against damaging voltage spikes. Its crosstalk and noise immunity ensure quality video signals. The Vi1003M offers quality video in a compact size at a highly affordable price. It is ideal for a wide variety of applications such as security and surveillance.

Application Diagram



The smart choice for quality video



www.vigitron.com

DSVi1003M_0212

Technical Specification**

Electrical

Video Format	NTSC, PAL, SECAM
Frequency	DC to 10 MHz
Coax	75 Ohm
Twisted Pair	100 Ohms +/- 20%, 24 AWG minimum up to 1,000 ft. (305 m)* unshielded Category 2-7
Insertion Loss	0.3 dB
CMRR	60 dB
Power	No power required
Connectors	Video: Male BNC UTP: Terminal block
Transient Immunity	ANSI/IEEE 587 C62.41

Environmental

Humidity	0 to 95%, non-condensing
Temperature	Operating: -10°C to +70°C Storage: -30°C to +70°C

Mechanical

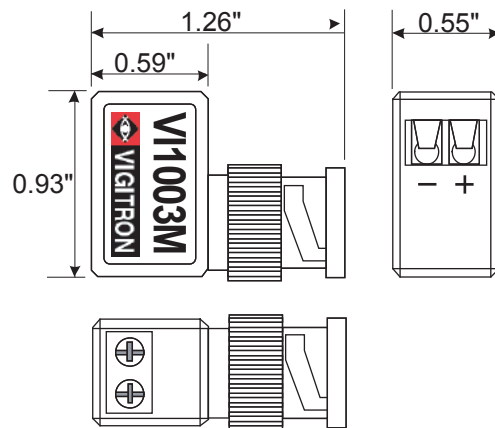
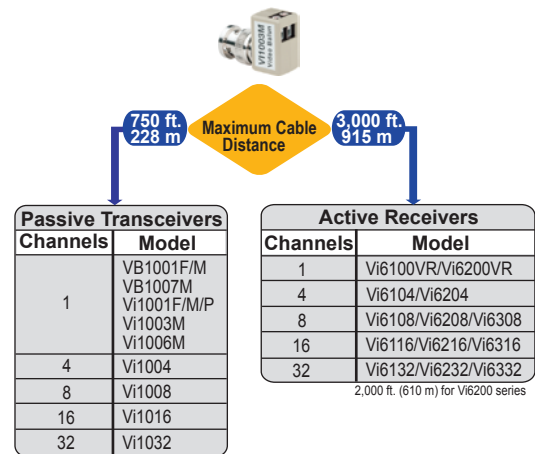
Dimensions	1.26x0.94x0.55 in., 3.2x2.4x1.4 cm
Weight	0.2 oz, 20 g
Material	ABS plastic, UL rating of 94V-0

*It is recommended not to exceed 750 ft. (228 m) when using with digital equipment.
**Specifications subject to change without notice.

Ordering Information

PART No.	Description
Vi1003M	Video balun w/ Male BNC

System Configuration



Wire and Cable Recommendations

The Vigitron products are designed to be used with unshielded twisted pair (UTP) wiring. The UTP wire must be 24AWG - 12AWG or Category 2-7 cable. Multi pair cable with an overall shield is acceptable, however individually shielded pairs should be avoided. Multiple UTP video feeds can be operated in the same communication cable along with telephone, computer, control signals and low power voltages. While UTP video may be routed through punch-down block terminals, any resistive, capacitive or inductive devices (such as T-taps or MOV's) must not be used. Please contact Vigitron for more specific information regarding wire types and proper installation techniques.



TEL (+1) 858-484-5209 • FAX (+1) 858-484-1205

7810 Trade Street, Suite 100, San Diego, CA 92121, USA • support@vigitron.com • www.vigitron.com

© Copyright 2012 Vigitron, Inc.