

# Vi22101

## IEEE 802.3af 12VDC PoE Splitter

### Features

- Separates PoE from Ethernet
- Convert IEEE 802.3af PoE power to 12VDC
- Maintains IP data throughput
- Compatible with all IEEE 802.3af PoE sources
- Pass through data for device IP control and monitor



### Applications

- Power LED lighting
- Power emergency response call box phone system
- Power emergency response lighting alerts
- Telephone and alarm systems requiring DC power

The Vi22101 is a PoE splitter that is fully compliant with IEEE 802.3af PoE standards. When used with a PoE switch or PoE Midspan, it separates PoE from Ethernet data and regulates the PoE high voltage to 12VDC.

It is designed to power Non-PoE IP devices and can provide 12VDC at up to 13W. The output voltage is selected by a slide switch. The Vi22101 is equipped with over current protection to safeguard connected devices and can operate at extended temperature of -40°C to +85°C. It is cost effective and compact in size and fit easily in most camera housings.

The Vi22101 is an ideal solution that provides remote power to non-PoE IP devices to save installation time and cost.

# Technical Specification\*

## Electrical

Ethernet Interface	Standard 10/100Mbps
Data Rate	Auto select 10/100Mbps Full speed / Full duplex
Power Consumption	Based on input power
Power Input	IEEE 802.3af, 15.4W
Power Output	12V DC @ 1 amp
Connections	Input Power and Data: RJ45 Power Out: Push Connector Data: RJ45
Status LEDs	PoE: Red 12VDC Output Available: Green
Data Interfaces and Compliances	RFC 768 UDP, RFC 2068 HTTP RFC 793 TCP, RFC 791 IP RFC 1783 TFTP, RFC 894 IP over Ethernet RFC 2544 TCP/IP Packet Transmission
PoE Compatibility	IEEE 802.3af / Class 0,1,2,3

## Regulatory

Safety	CE
Environmental	RoHS, WEEE

## Environmental

Humidity	0 to 90%, Non-condensing
Temperature	Operating: -40°C to +85°C Storage: -65°C to +150°C

## Mechanical

Dimensions	1.36x2.13x2.91 in., 34.5x54.1x73.9 cm (HxWxL)
Weight	0.25 lb, 115 g
Material	Extruded Aluminum

\*Specifications subject to change without notice.

## Ordering Information

Part No.	Description
Vi22101	IEEE 802.3af, 12/24VDC DC PoE Splitter

## Related Products

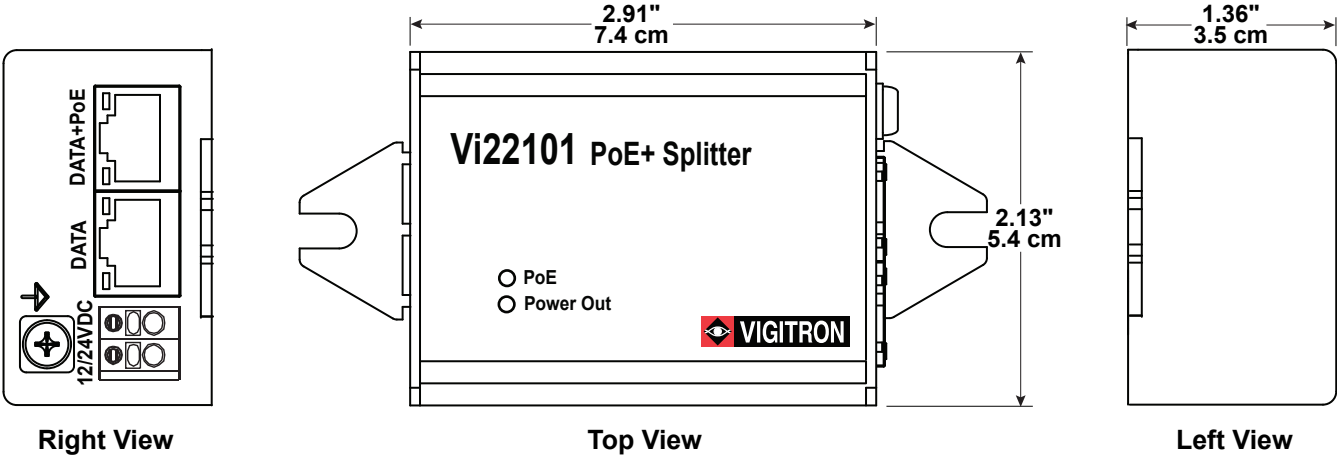
Part No.	Description
Vi22201	60W, 12/24VDC DC PoE Splitter
Vi22301	60W PoE 12/24VDC DC PoE Splitter w/30W PoE Port

## Vi22101 Power Distance Chart

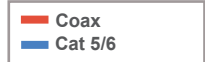
PoE Input	Cable	Extender	Distances	Output Voltage	Output Current
15.5 W	UTP	N/A	328 ft.	12.5 VDC	1 A
15.5 W	UTP	Vi2300 Series	2,000 ft.	12.5 VDC	0.5 A
15.5 W	Coax	Vi2400 Series	2,000 ft.	12.5 VDC	0.5 A
30 W	UTP	N/A	328 ft.	12.5 VDC	2 A
30 W	UTP	N/A	328 ft.	24 VDC	1 A
30 W	UTP	Vi2300 Series	2,000 ft.	12.5 VDC	1 A
30 W	Coax	Vi2400 Series	2,000 ft.	12.5 VDC	1 A



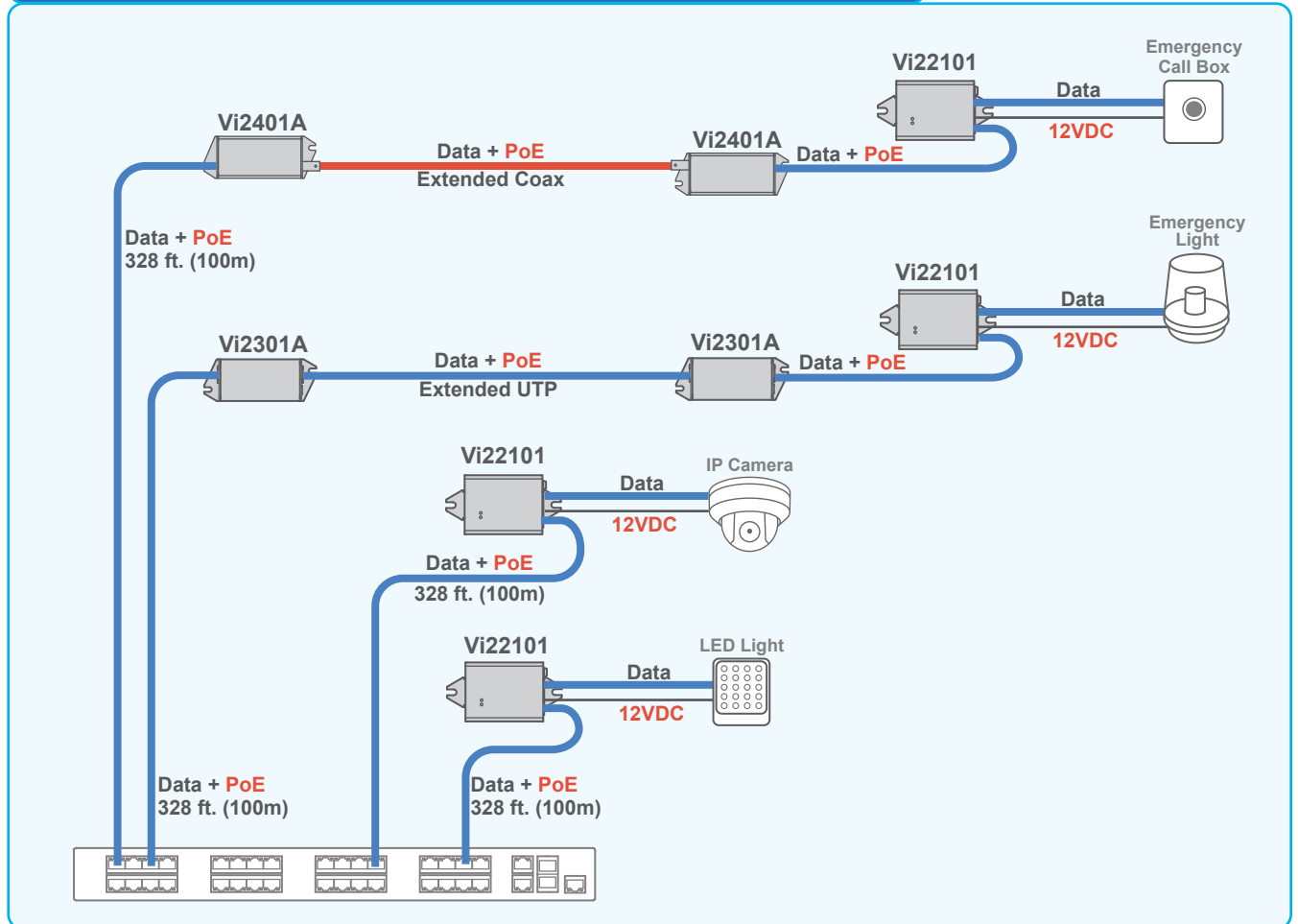
# Mechanical Drawings



# Application Drawings



## Powering non-PoE devices at standard and extended distances



The Vi22101 can power a wide range of PoE devices at standard and extended distances up to 12W.