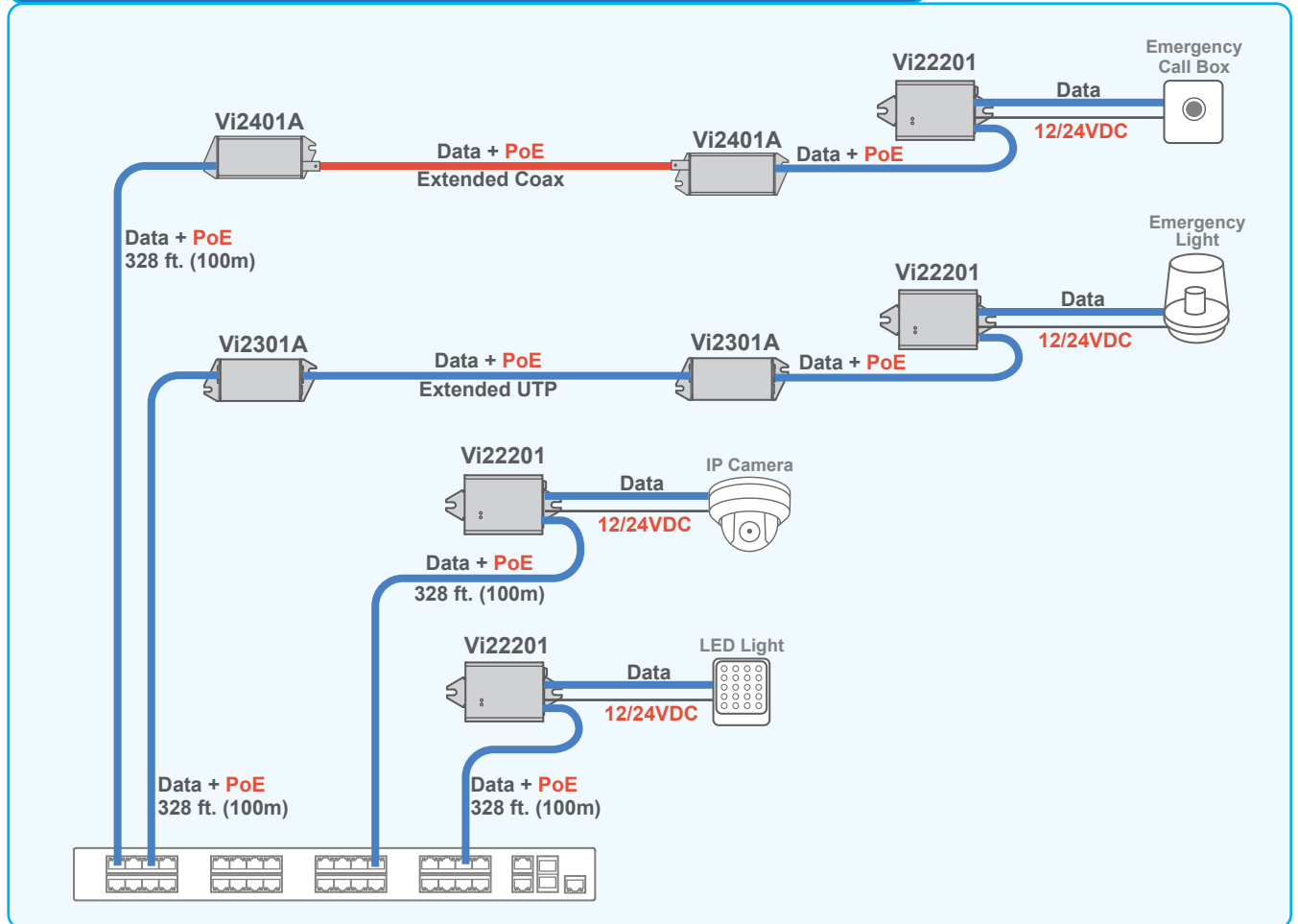




Powering non-PoE devices at standard and extended distances



The Vi22201 can power a wide range of PoE devices at standard and extended distances up to 30W.