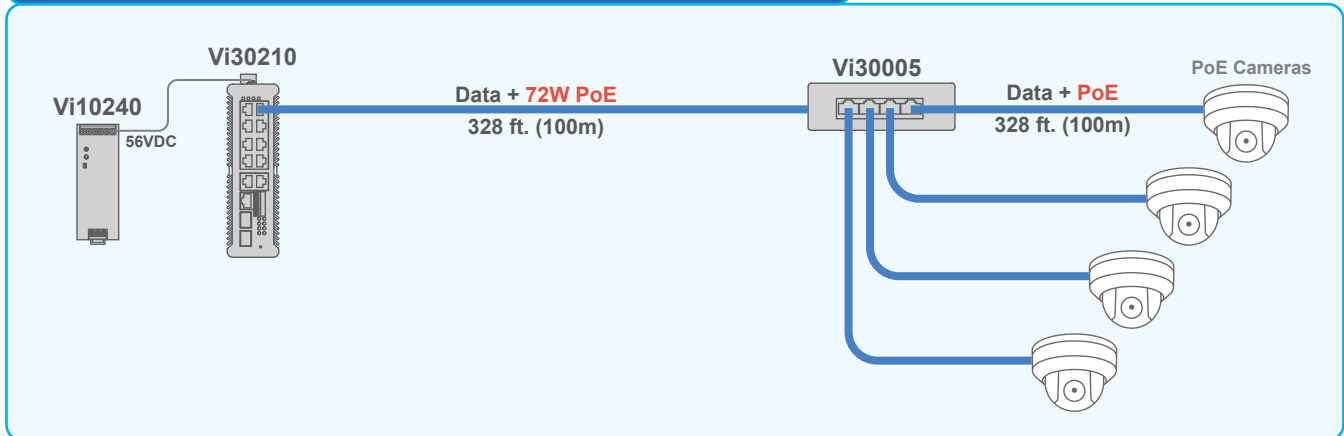


# Vi30005

# Application Drawings

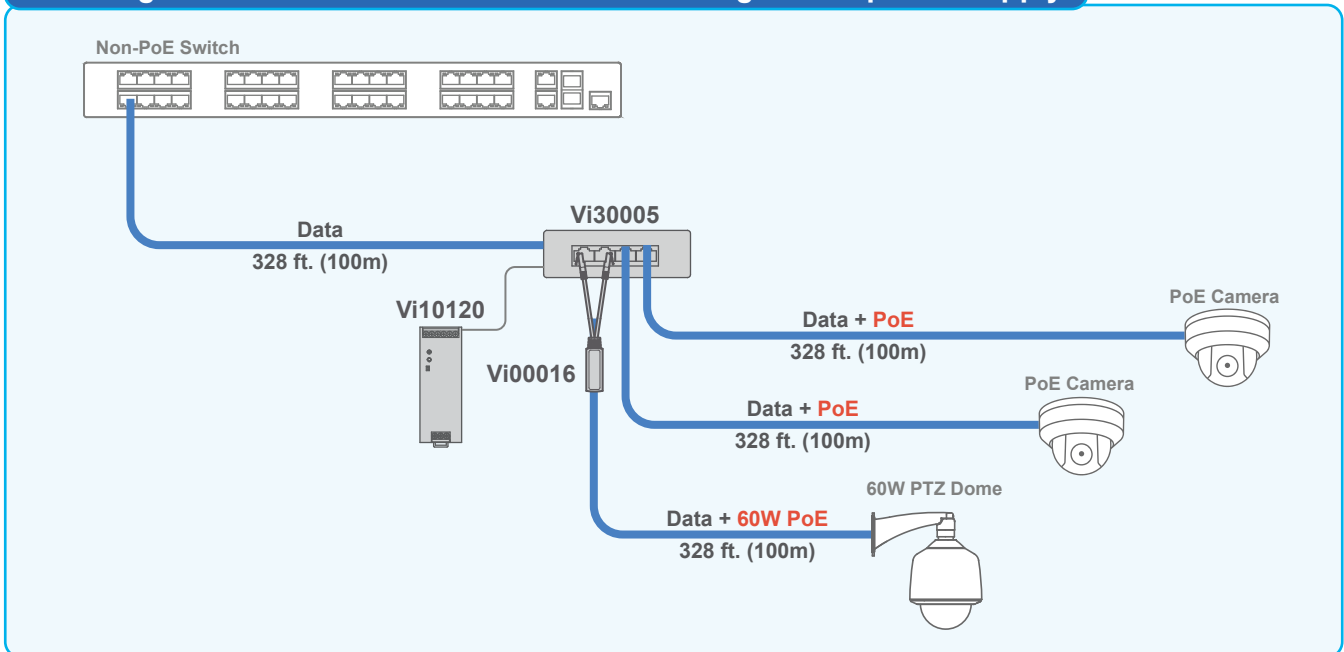
— Fiber Optic  
— Cat 5/6

## Powering the Vi30005 and 4 remote cameras using PoE



The Vi30005 is a PoE powered switch that can be used to power up to four cameras using PoE.

## Powering the Vi30005 and 4 remote cameras using a local power supply



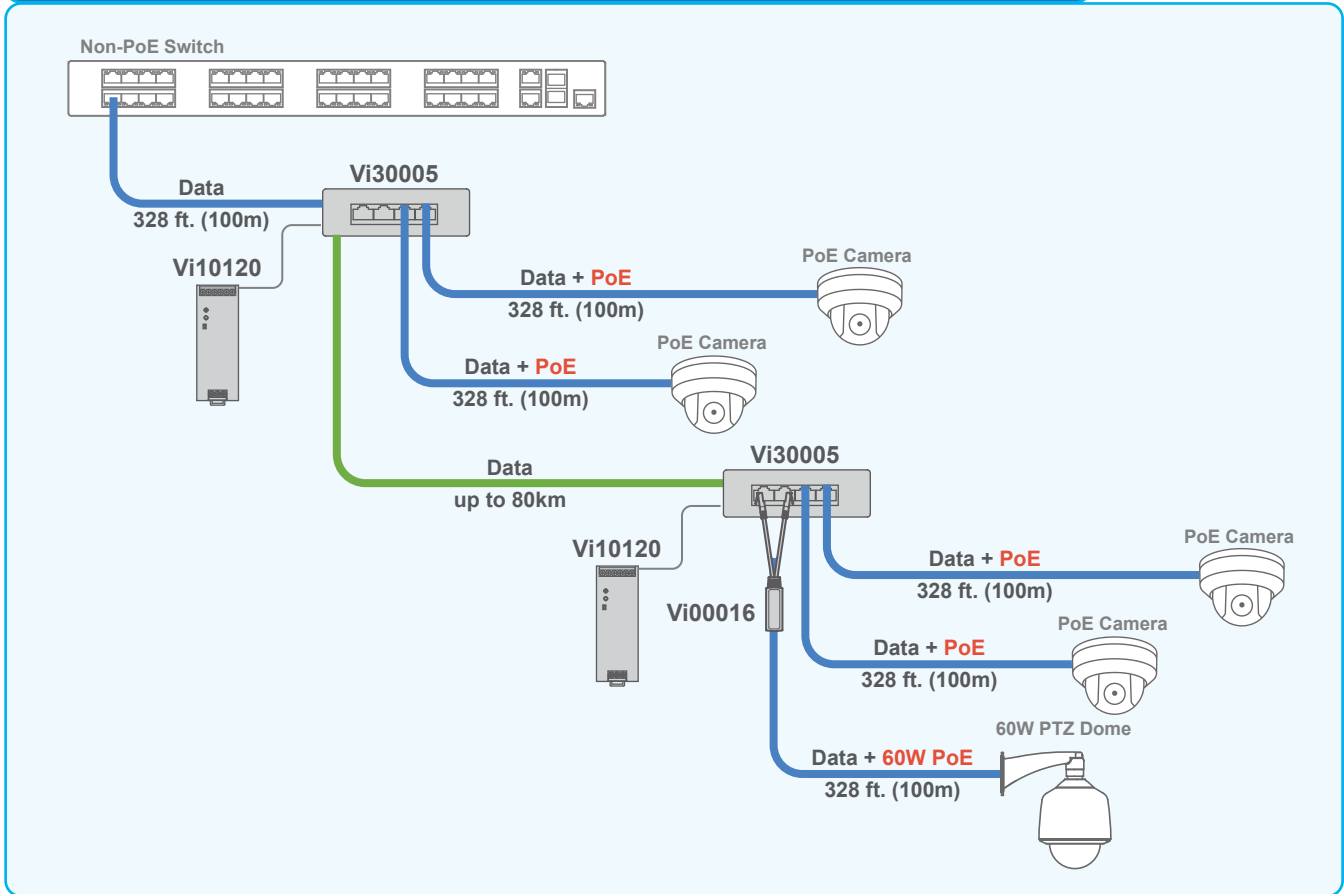
The Vi30005 can be used to power up to four cameras using PoE. It can provide up to 72W PoE when used with Vi00016.

# Vi30005

# Application Drawings

— Fiber Optic  
— Cat 5/6

## Powering the Vi30005 and 4 remote cameras using a local power supply



The Vi30005 can be used to connect to another Vi30005 or any IP device at distances up to 80Km over fiber optics.

