

Vi30005

5-Port 1000Mbps PoE Powered PoE Switch

Features

- 5-port Layer 2 1000Mbps PoE powered PoE switch
- 100/1000Mbps network speeds, auto sensing
- Can be powered from a remote PoE source to provide PoE power to all 4 ports
- Up to 36W PoE per port, capable of combing each 2-ports for up to 72W
- UPoE compliant input up to 72W
- Provides MSA compliant SFP fiber output port for integration to existing fiber infrastructures and extreme long distance up to 80Km
- Automatic PoE port priority allocation
- Over current shut down protection if allocated PoE budget is exceeded
- Certified (MPC™) high data rate for virtual loss free transmission of cameras
- Type tested to RFC 2544 TCP/IP network bandwidth packet transmission standards
- Type tested for -40°C to +75°C operating temperature range
- Complies with major IEEE standards and RFC network protocols for UTP, TCP/IP, HTTP/HTTPS
- Provides full Layer 2 network switch functionality



Applications

- Transmits multiple high megapixel cameras over a single cable to reduce installation costs
- Perfect solution for multi-imager cameras that require high bandwidth
- Connects multiple network switches to reduce bandwidth restrictions and single point of failure potentials
- Provides PoE power for 60W cameras
- Cost effective solution for multiple cameras transmission between buildings, parking lots, garages and perimeter fence applications
- Prevents packet and bandwidth loss of transmitting high megapixel cameras

Vigtron's MaxiiNet™ Vi30005 fixed managed 5-port 1000Mbps PoE switch brings new performance standards to the growing need for high speed transmission of high speed Ethernet.

The Vi30005 can be powered by PoE sources up to 72W or locally by the Vi1120 to supply 802.3at, up to 36W to each port or up to 72W for two combined ports. The PoE input is UPoE compliant. The Vi30005 operates at the standard distances of UTP up to 100m and fiber uplink up to 80Km by using its built-in MSA SFP compliant port.

With an operating temperature range of -40°C to 75°C, the Vi30005 is the perfect solution for data and power transmission for warehouses, parking lots, campuses, casinos, and many more. The Vi30005 is MegaPixel Certified (MPC™), type tested to network packet performance standards, and major manufacturer compatibility tested to assure you of quality and error free operations. Fixed managed L2 functions include 802.1p Qos, support of 2k MAC addressing, learning, aging, and a non-blocking switch fabric. Installation cost savings, proven performance, and major camera manufacturer compatibility all go into making Vigtron's MaxiiNet™ Vi30005 an ideal solution for standard distance data and power transmission.

Technical Specification*

Electrical

Ethernet Interface	Standard 100BaseT/1000BaseT/1000BaseFX 1000BaseT SFP
UTP	100 Ohm +/- 20%, up to 328 ft. (100m)
Power Source	PoE: 802.3af (15.4W), 802.3at (30W), 72W UPoE Power Supply: 57VDC @ up to 120W or 12VDC @ 1A (non-PoE operation)
Status LEDs	Power Ethernet: Traffic, Link PoE Active
Connectors	Fiber: MSA compliant SFP socket Ethernet Interface: 5 x RJ-45 connector Power: Circular power connector
RFC	2544 TCP/IP Packet Transmission 768 UDP, 2068 HTTP, 793 TCP 791 IP, 1783 TFTP, 894 IP over Ethernet
PoE Compatibility	IEEE 802.3af, IEEE 802.3at, 72W High power PoE
Jumbo Frame	Up to 9,600 bytes

Regulatory

FCC	Part 15, Subpart B, Class B 2010
Emissions	EN 5502:2006+A1:2007 EN 61000-3-2:2006+A1:2009+A2:2009 EN 55024:1998+A1:2001+A2:2003
Safety	CE
Environmental	RoHS, WEEE

Environmental

Humidity	0 to 95%, non-condensing
Temperature	Operating: -40°C to +75°C Storage: -40°C to +85°

Mechanical

Dimensions	1.2x3.75x4.97 in., 3.0x9.5x12.6 cm (HxWxL)
Weight	0.64 lb (290 g)
Housing	Aluminum

Optional Accessories

- Vi1120: 57VDC, 120W Power Supply
- Vi0017: 48VDC, 40W Power Supply
- Vi0012: 12VDC 1A Power Supply for non-PoE operation
- Vi0016: Combiner Adapter for 72W PoE Operation

*Specifications subject to change without notice.

Ordering Information

Part No. Description

Vi30005	5-port PoE Layer 2 Network Switch
----------------	-----------------------------------

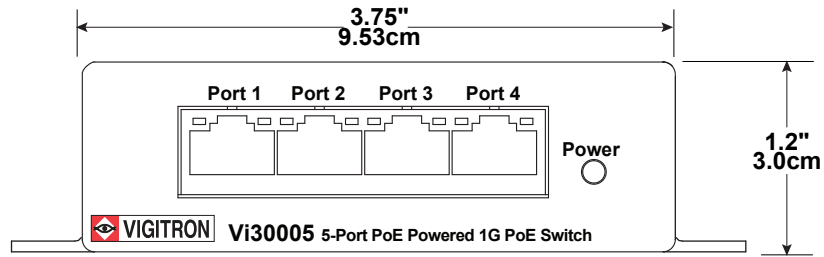
Related Products

PART No. Description

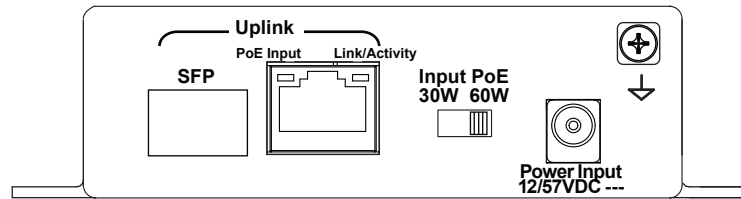
Vi30005WP	Weatherproof 5-Port 1G PoE Powered PoE Switch
------------------	---



Mechanical Drawings

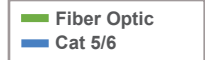


Front View

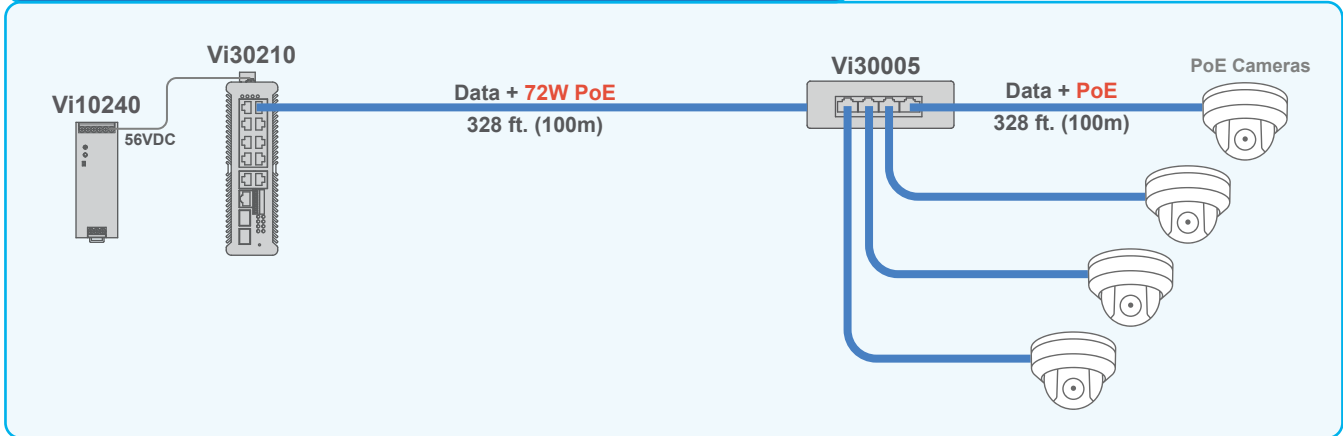


Rear View

Application Drawings

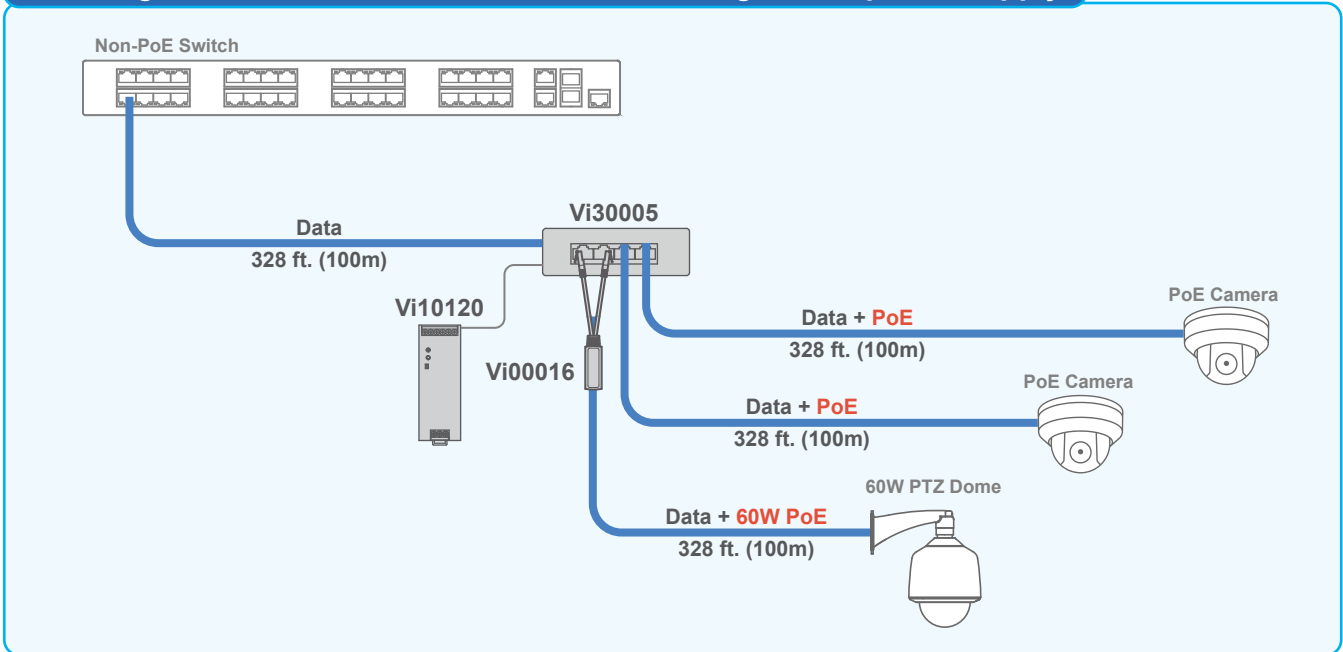


Powering the Vi30005 and 4 remote cameras using PoE



The Vi30005 is a PoE powered switch that can be used to power up to four cameras using PoE.

Powering the Vi30005 and 4 remote cameras using a local power supply

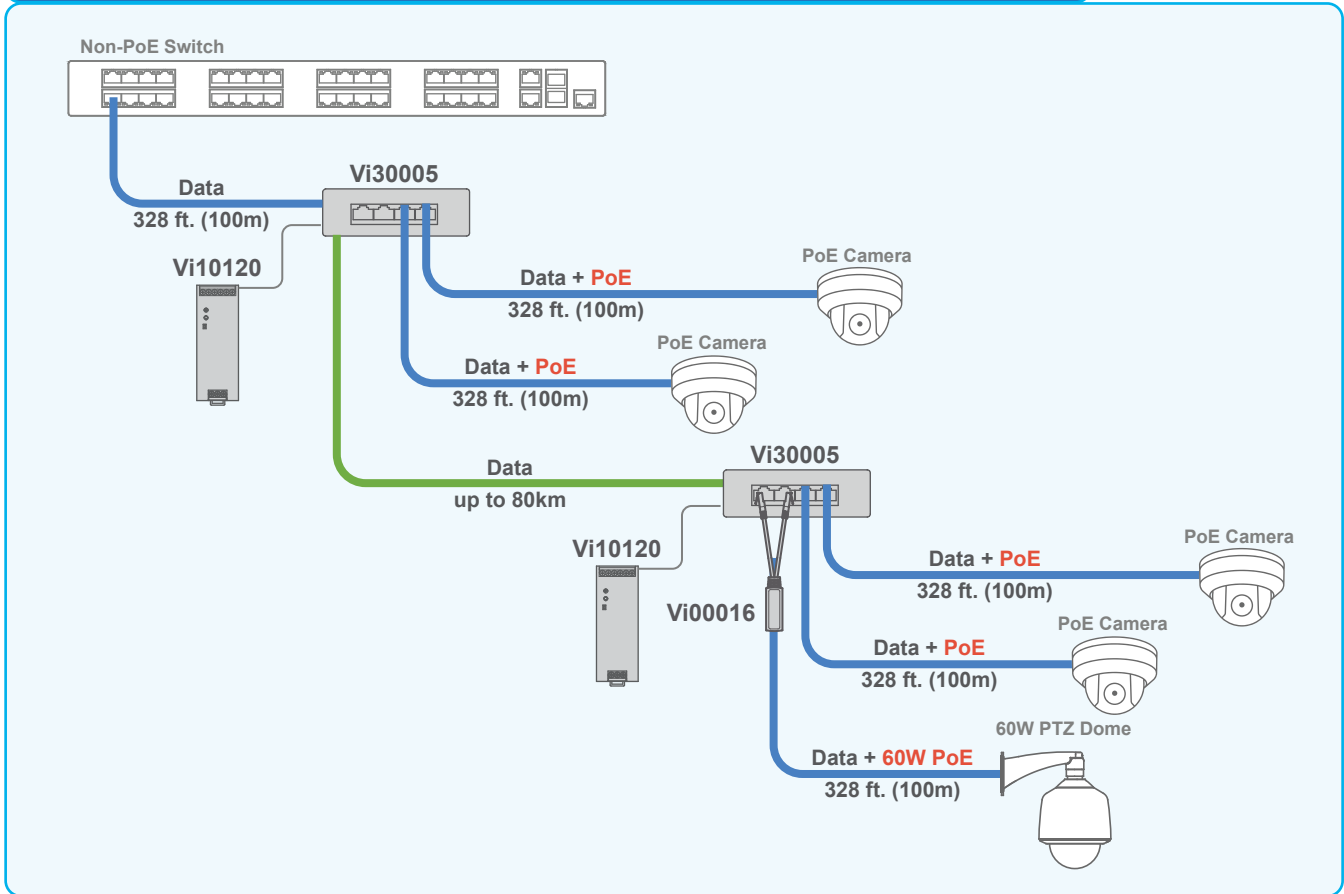


The Vi30005 can be used to power up to four cameras using PoE. It can provide up to 72W PoE when used with Vi00016.

Application Drawings

— Fiber Optic
— Cat 5/6

Powering the Vi30005 and 4 remote cameras using a local power supply



The Vi30005 can be used to connect to another Vi30005 or any IP device at distances up to 80Km over fiber optics.

