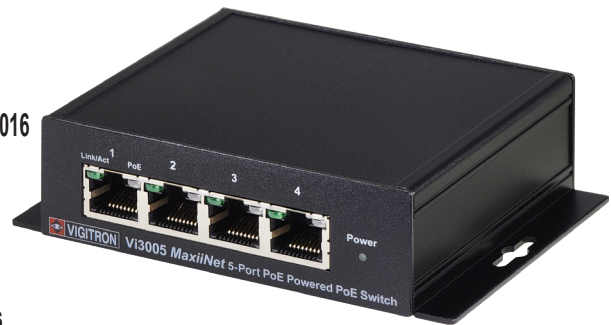


Vi3005

5-port PoE Powered PoE Switch

Features

- 5-port PoE and local powered layer 2 network switch
- Can be powered from a remote PoE source to provide PoE power to all 4 ports
- Up to 37W PoE per port, capable of combining each 2-ports for up to 74W using Vi00016
- Provides MSA compliant SFP fiber output port for integration to existing fiber infrastructures and extreme long distance up to 80Km
- Intelligent power sensing automatically allocates port power based on the number of connect ports and individual camera power requirements
- Certified (MPC™) high data rate for virtual loss free transmission of cameras
- Type tested to RFC 2544 TCP/IP network bandwidth packet transmission standards
- Type tested for -30°C to +75°C operating temperature range
- Complies with major IEEE standards and RFC network protocols for UTP, TCP/IP, HTTP/HTTPS
- Provides full Layer 2 network switch functionality



Applications

- Upgrading analog CCTV installations into digital systems
- Expanding networks in industrial environment
- CCTV system for casinos, airports, school campuses, and many more

Vigatron's MaxiiNet™ Vi3005 fixed managed five port PoE switch brings new performance standards to the growing need for transmission of high speed Ethernet. It eliminates the need for local power for the Vi3005 and cameras connected to its 4 ports.

The Vi3005 can be powered by PoE sources up to 74W or locally by the Vi1120 to supply 802.3at to each port, providing up to 36W (more than 802.3at) to each port or up to 72W for two combined ports. The Vi3005 can operate over UTP at standard distances up to 100m and fiber uplink by using its built-in MSA SFP compliant port to provide transmission distances up to 80Km.

With an operating temperature range of -30°C to 75°C, the Vi3005 is the perfect solution for data and power transmission for warehouses, parking lots, campuses, casinos, and many more. The Vi3005 is MegaPixel Certified (MPC™), type tested to network packet performance standards, and major manufacturer compatibility tested to assure you error free, quality operations. Fixed managed L2 functions include 802.1p Qos, support of 2k MAC addressing, learning, aging, and a non-blocking switch fabric.

Installation cost savings, proven performance, and major camera manufacturer compatibility all go into making Vigatron's Vi3005 an ideal solution for standard distance data and power transmission.

Technical Specification

Electrical

Ethernet Interface	Standard 10/100BaseT
UTP	100 Ohm +/- 20%, up to 328 ft. (100m)
Power Source	PoE: 802.3af (15.4W), 802.3at (30W), 60W External Power Supply: 57VDC @ up to 120W or 12VDC @ 0.3A for non-PoE operation
Status LEDs	Power: Power On Ethernet: Traffic, Link PoE: PoE present
Connectors	Fiber: MSA compliant SFP socket Ethernet Interface: 5 x RJ-45 connector Power: Circular power connector
RFC	2544 TCP/IP Packet Transmission 768 UDP, 2068 HTTP, 793 TCP 791 IP, 1783 TFTP, 894 IP over Ethernet
PoE Compatibility	IEEE 802.3af, IEEE 802.3at, 74W High power PoE

Regulatory

FCC	Part 15, Subpart B, Class B 2010
Emissions	EN 5502:2006+A1:2007, EN 61000-3-2:2006+A1:2009+A2:2009 EN 55024:1998+A1:2001+A2:2003
Safety	CE
Environmental	RoHS, WEEE

Environmental

Humidity	0 to 95%, non-condensing
Temperature	Operating: -30°C to +75°C Storage: -40°C to +85°C

Mechanical

Dimensions	1.2x3.17x3.76 in., 30.48x80.52x95.50 mm (HxWxL)
Weight	0.45 lb (204 g)
Housing	Aluminum

Optional Accessories

Vi1120:	57VDC, 120W Power Supply
Vi0017:	48VDC, 40W Power Supply
Vi0012:	12VDC 1A Power Supply for non-PoE operation
Vi0016:	Combiner Cable for 74W Operation

Ordering Information

Part No. Description

Vi3005	4-port PoE Layer 2 Network Switch
---------------	-----------------------------------

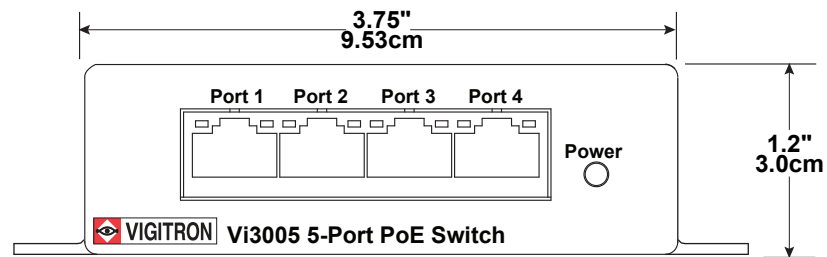
Related Products

Part No. Description

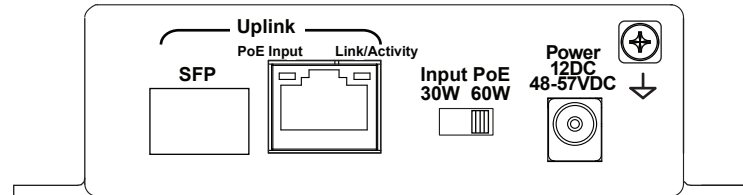
Vi1120	120W 57V Power Supply
Vi0012	12VDC, 1A Power Supply for non-PoE Operation
Vi0017	40W 48V DC Power Supply
Vi0016	Combiner Cable for 74W PoE



Mechanical Drawings



Front View

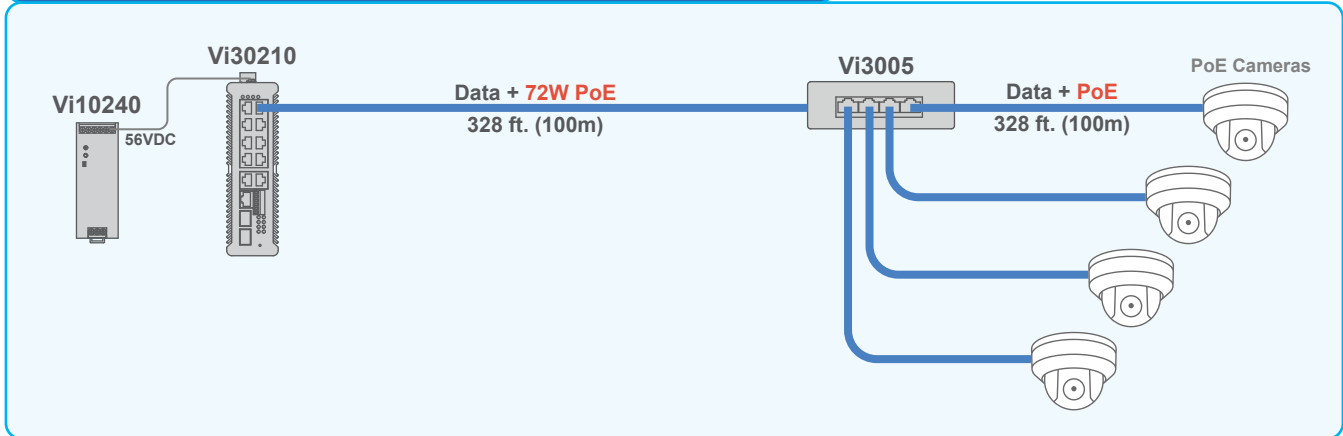


Rear View

Application Drawings

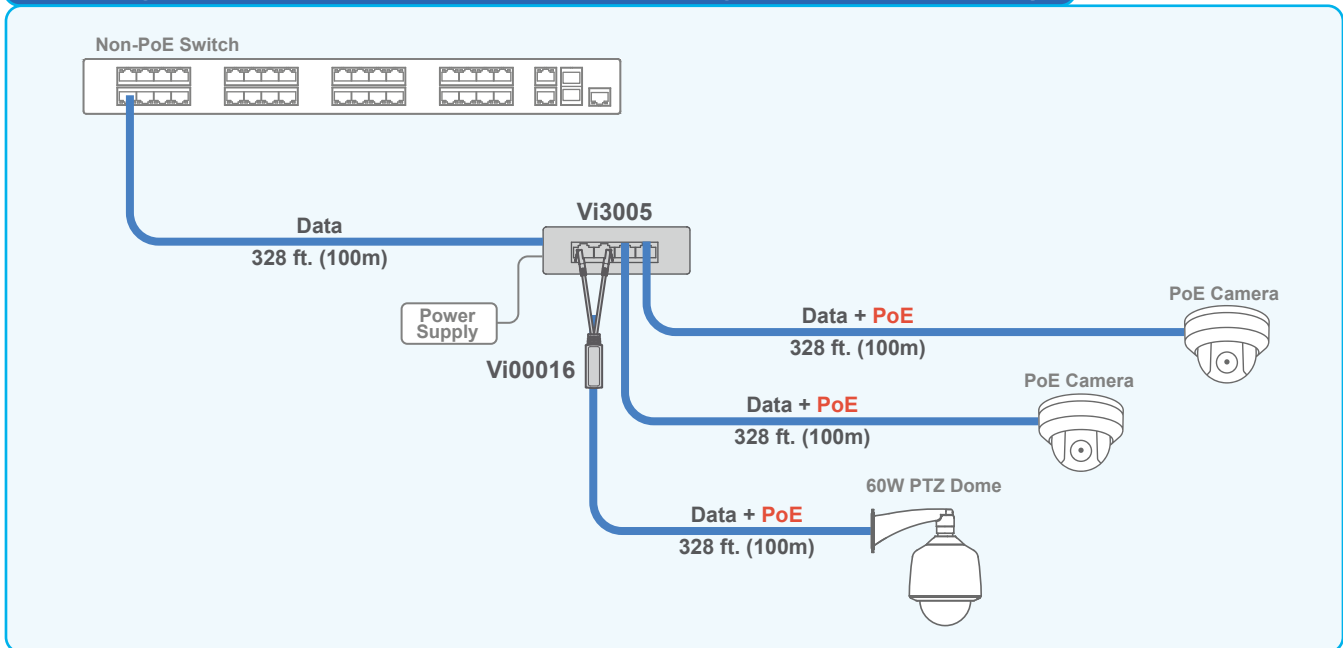
Fiber Optic
Cat 5/6

Powering the Vi3005 and 4 remote cameras using PoE



The Vi3005 is a PoE powered switch that can be used to power up to four cameras using PoE.

Powering the Vi3005 and 4 remote cameras using a local power supply



The Vi3005 can be used to power up to four cameras using PoE.