

# Vi30210

## Hardened Managed 10-Port, L2+, 1G Industrial 90W PoE Ring Switch

### Features

- 8 + 2 ports with 10/100/1000/2500Mbps data rate†
- Jumbo frame programming at all bandwidth settings
- 90W 802.3bt PoE compliant ports w/ 495W total input power
- Operating temperature range -40°C to +70°C per NEMA-TS 2 standards
- Tested for critical transportation and traffic applications
- G.8032 V1/V2 Rapid Ring protocol compliant
- Dual fiber/copper Uplink ports
- Built in 6kV surge protection on each port
- 20Gb switch fabric for highest MP camera handling
- NTP and Real Time Clock (RTC)
- Dual power input for back up power supply
- Dual programmable Form C alarm outputs
- Din Rail and Desktop mounting
- Programmable Port Temperature monitoring
- Detailed Syslog with Health status messaging



### Applications

- Transit vehicles and stations
- On board vehicles
- Highways
- Parking lots, Garages
- Perimeter security

### Description

VigitrON's Vi30210 sets a new standard for Industrial Network Switches (INS) with data rate up to 2.5G\* for handling fiber optics uplink ports. The Vi30210 operates at temperatures ranging from -40°C to +70°C and is able to monitor and report individual port temperature.

The Vi30210 accepts 57VDC power up to 495W to provides IEEE 802.3bt compliant up to 90W PoE power on 8 copper ports for total power of 480W. This enables it to provide power for the most demanding PoE applications for PTZ domes, LED lighting and wireless products. It is compliant to G.8032V1/V2 Rapid Ring protocol.

The Vi30210 is tested for critical transportation and traffic applications. It's intelligent PoE management allocates the maximum power priority starting from port 1. Dual copper and fiber uplinks enable drop and insert for Ring Network configurations to be used for roads and perimeter security applications.

The Vi30210 is uniquely designed for outdoor enclosure applications with a ribbed temperature disbursement chassis, 6KV surge protection and user programmable port thermal protection of over temperature shut down to prevent damage to the Vi30210 from excessive heat.

The Vi30210 is an ideal solution for a wide variety of projects specially for IDF to MDF applications.

†2.5Gbps limited to Fiber ports only



The Smart Choice for Transmission Solutions



[www.vigitrON.com](http://www.vigitrON.com)

# Technical Specification\*

## Electrical

Ethernet Interface	Standard: 10/100/1000BaseT Uplink: 100/1000/2500*BaseT- SFP
Data Ports	8 Copper ports, 2 Copper/MSA Fiber Combo ports
Packet Size	9600@ 100Mbps/1000Mbps/2500Mbps
Bandwidth Sensing	MDI/MDIX
Switch Fabric	20GB
Surge Protection	6KV
Power Source	48-57VDC
Input Power	495W Maximum
PoE Output	802.3af/at/bt complaint, 90W Max.per port
PoE Budget	480W
Power Consumption	12.3W
Status LEDs	Power : Red LED System : Red LED Link/Activity: Green LED Data rate : Orange LED (ON for 1G) PoE : Green Active Fiber Link : Green LED Alarm: Red Flashing
Connectors	Standard Ethernet : 10 x RJ-45 Connectors Console : 1 x RJ45 Fiber Optics : 2 x MSA compliant SFP Connector Power : Detachable terminal blocks Alarm Output : 6-pin Terminal block
RFC	2544 TCP/IP Packet Transmission 768 UDP, 2068 HTTP, 793 TCP 791 IP, 1783 TFTP, 894 IP over Ethernet
PoE Compatibility	IEEE 802.3af/at/bt

## Regulatory

FCC Emmissions	Part 15, Subpart B, Class B 2010 EN 5502:2006+A1:2007 EN 61000-3 EN55032 EN55035 EN50121 EN50155 2:2006+A1:2009+A2:2009
Safety	CE EN 62368 (Replacing EN60950-1)
Environmental	RoHS IEC60068-2-32 (Free Fall) IEC60068-2-27 (Shock) IEC60068-2-6 (Vibration) WEEE, Article 11 – Anex V Directive 2012 2012/19/EU

## Environmental

Temperature	Operating: -40°C to +70°C (at 240W PoE Output) -40°C to +55°C (at 480W PoE Output) Storage: -40°C to +85°C
Humidity	0 to 95%, non-condensing

## Mechanical

Dimensions	2x6.6x4.4 in., 5x16.8x11 cm (HxWxL)
Weight	1.9 lb, 862 g
Mounting	Desktop, DIN Rail
Material	Aluminum

## Accessories

DIN Rail Adapter  
Desk Mount Brackets

## Optional Accessories

Vi1120	120W/56VDC Desktop Power Supply
Vi10120	120W/56VDC DIN Rail Power Supply
Vi10240	240W/56VDC DIN Rail Power Supply
Vi10480	480W/56VDC DIN Rail Power Supply

\* Specifications subject to change without notice.

## Ordering Information

Part No.	Description
<b>Vi30210</b>	Hardened 10-Port Industrial 90W PoE Ring Switch

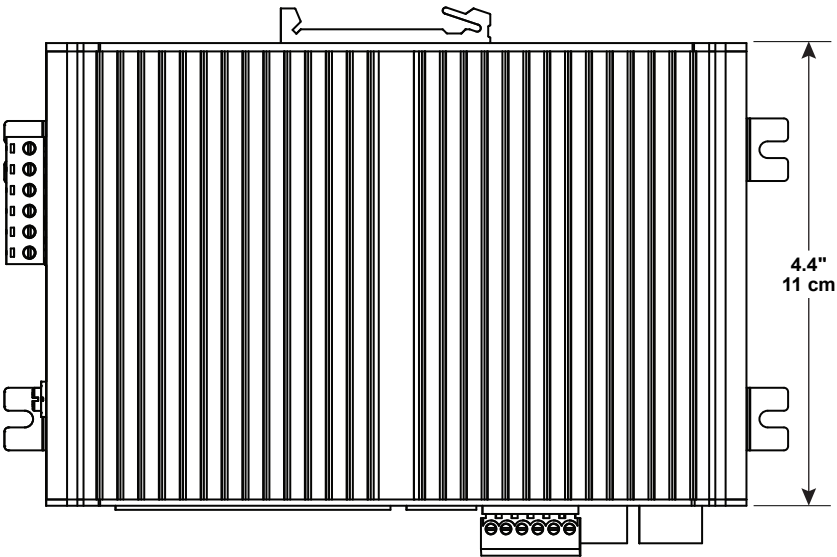
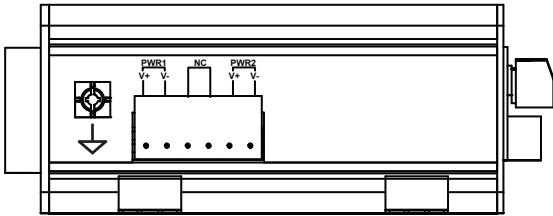
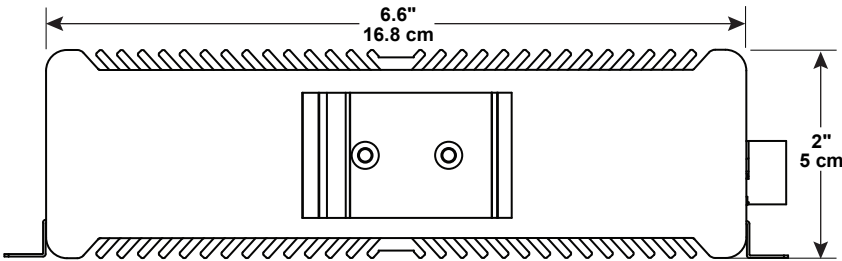
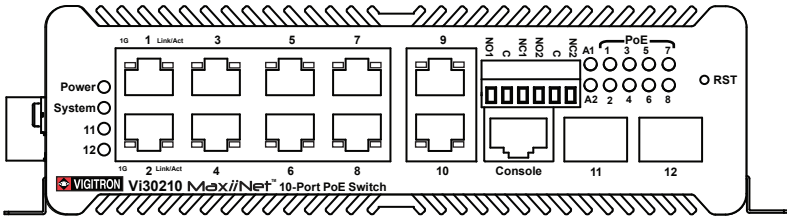


TEL (+1) 858-484-5209 • FAX (+1) 858-484-1205

7810 Trade Street, Suite 100, San Diego, CA 92121, USA • support@vigatron.com • www.vigatron.com

© Copyright 2021 Vigatron, Inc.

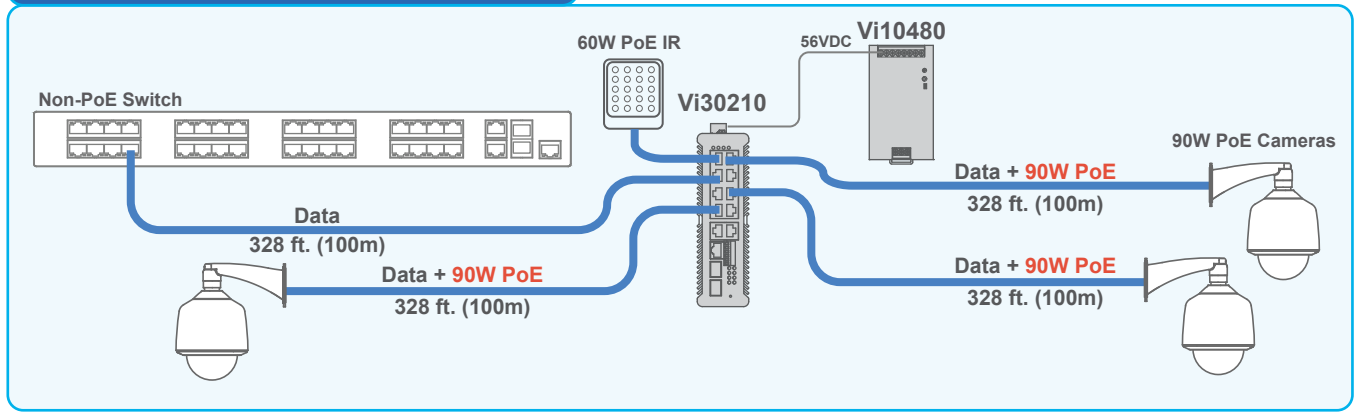
# Mechanical Drawings



# Application Diagrams

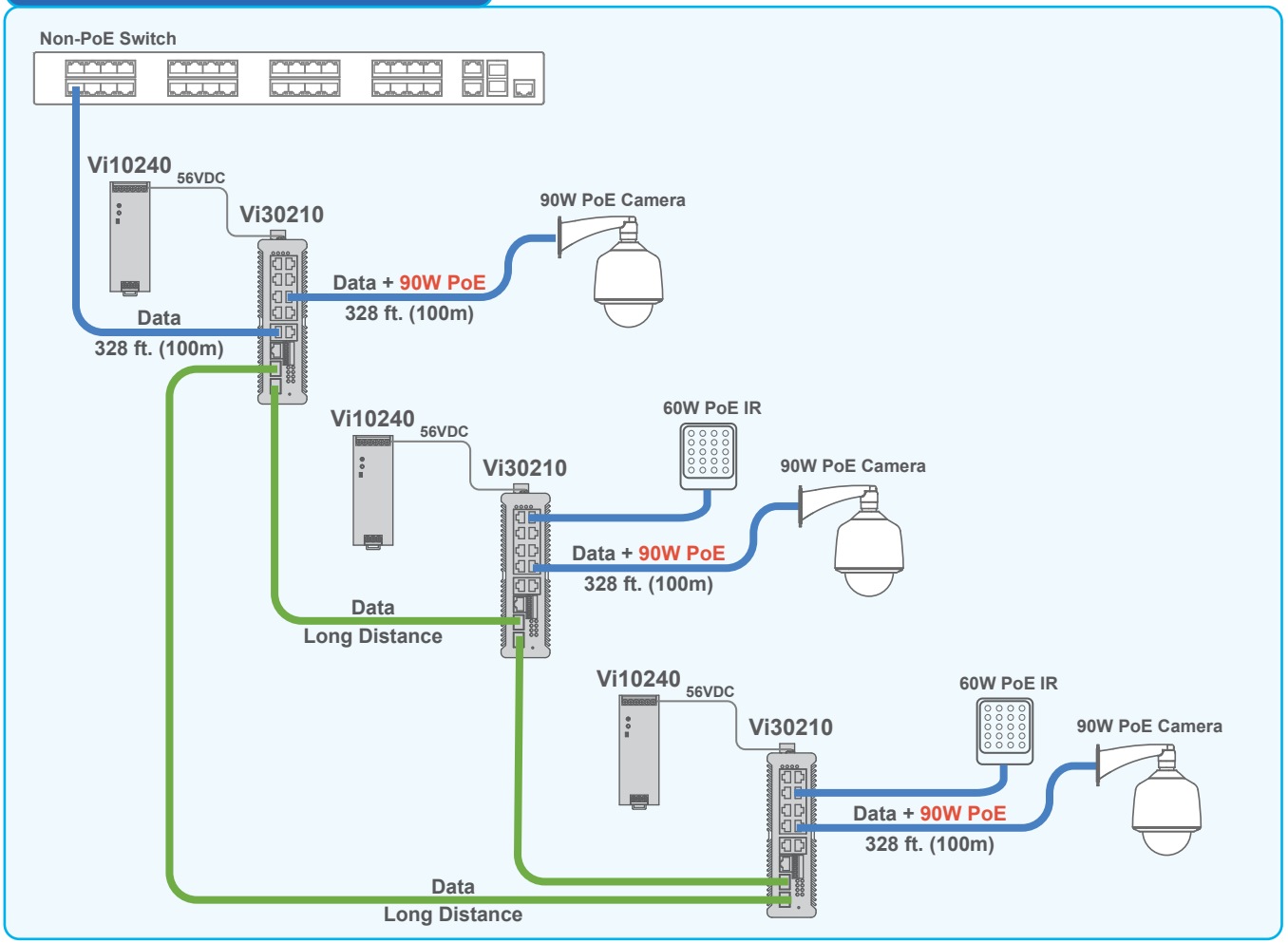
— Cat 5/6  
— Fiber Optics

## Powering High Power PoE Cameras



The Vi30210 and Vigitron Hardened power supplies can power multiple high power PoE PTZ Cameras up to 90W.

## The Ring Network Configuration



Multiple Vi30210s can be used in a Ring Network configuration to increase the reliability of the network.

