

# Vi3105

## 5-port 60W PoE Powered PoE Switch w/ Extended UTP Uplink

### Features

- 5-port fixed managed layer 2 PoE switch with extended distance UTP uplink
- Can be powered from a remote PoE source to provide PoE power to the switch and all 4 ports
- Up to 36W PoE per port, capable of combining 2 ports for up to 72W
- Transmits up to four cameras on a single UTP
- Input UPoE up to 72W
- The switch itself can be powered from a remote PoE source for up to 3,000 ft. when output PoE is not required
- Intelligent power sensing automatically allocates port power based on the number of connected ports and individual camera power requirements
- Automatic PoE port priority allocation
- Type tested to RFC 2544 TCP/IP network bandwidth packet transmission standards
- Hardened tested for -30°C to +75°C operating temperature range
- Complies with major IEEE standards and RFC network protocols for UTP, TCP/IP, HTTP/HTTPS
- Provides full Layer 2 network switch functionality



### Applications

- Upgrading analog CCTV installations into digital systems
- Expanding networks in industrial environment
- CCTV system for casinos, airports, school campuses, and many more

Vigatron's MaxiiNet™ Vi3105 fixed managed 5-port PoE switch brings new performance standards to the growing need for high speed transmission of high speed Ethernet.

The Vi3105 can be powered by PoE sources up to 74W, UPoE compliant, over extended UTP uplink or locally by the Vi1120 120W power supply to provide up to 36W to each port or up to 74W from two combined ports.

With an operating temperature range of -30°C to 75°C, the Vi3105 is the perfect solution for data and power transmission for applications such as warehouses, parking lots, campuses, casinos. The Vi3105 is MegaPixel Certified (MPC™), type tested to network packet performance standards to assure you an error free and quality operation. Fixed managed L2 functions includes 802.1p QoS, support of 2k MAC addressing, learning, aging, and a non-blocking switch fabric.

Installation cost savings, proven performance, and major camera manufacturer compatibility all go into making Vigatron's MaxiiNet™ Vi3105 an ideal solution for IP video and PoE transmission.



The Smart Choice for Transmission Solutions

[www.vigatron.com](http://www.vigatron.com)

# Technical Specification\*

## Electrical

Ethernet Interface	Standard 10/100BaseT
UTP	100 Ohm +/- 20%, up to 3,000 ft. (914m)
Power Source	PoE: 802.3af (15.4W), 802.3at (30W), 74W UPoE compliant External Power Supply: 57VDC @ up to 120W or 12VDC @ 0.3A for non-PoE operation
Status LEDs	Power: Power On Ethernet: Traffic, Link PoE: PoE Present
Connectors	Ethernet Interface: 5 x RJ45 Power: Circular power connector
RFC	2544 TCP/IP Packet Transmission 768 UDP, 2068 HTTP, 793 TCP 791 IP, 1783 TFTP, 894 IP over Ethernet
PoE Compatibility	IEEE 802.3af, IEEE 802.3at, 60W High power PoE

## Regulatory

Safety	CE
Environmental	RoHS, WEEE
FCC	Part 15, Subpart B, Class B 2010
Emissions	EN5502:2006+A1:2007 EN 61000-3-2:2006+A1:2009+A2:2009 EN 55024: 1998+A1:2001+A2:2003

## Environmental

Humidity	0 to 95%, non-condensing
Temperature	Operating: -30°C to +75°C Storage: -40°C to +85°C

## Mechanical

Dimensions	1.2x3.75x4.97 in., 3.0x9.5x12.6 cm (HxWxL)
Weight	0.64 lb (290 g)
Housing	Aluminum

## Optional Accessories

Vi1120:	57VDC, 120W Power Supply
Vi0017:	48VDC, 40W Power Supply
Vi0012:	12VDC, 12W Power Supply for non-PoE Applications
Vi0015:	Combiner Cable for 74W Operation

\*Specifications subject to change without notice.

## Ordering Information

### Part No. Description

<b>Vi3105</b>	5-Port Layer 2, 60W PoE Switch
---------------	--------------------------------

## Related Products

### Part No. Description

<b>Vi2300A</b>	1-Port Mini UTP Ethernet Extender
<b>Vi2301A</b>	1-Port UTP Ethernet Extender
<b>Vi2304A</b>	4-Port UTP Ethernet Extender
<b>Vi2308A</b>	8-Port UTP Ethernet Extender
<b>Vi2316A</b>	16-Port UTP Ethernet Extender
<b>Vi2508</b>	8-Port UTP Ethernet Extender & PoE Midspan
<b>Vi2516</b>	16-Port UTP Ethernet Extender & PoE Midspan
<b>Vi00016</b>	Combiner Cable for 74W PoE
<b>Vi1120</b>	120W 57V Power Supply
<b>Vi0017</b>	40W 48V DC Power Supply
<b>Vi0012</b>	12W, 12VDC Power Supply for non-PoE Applications

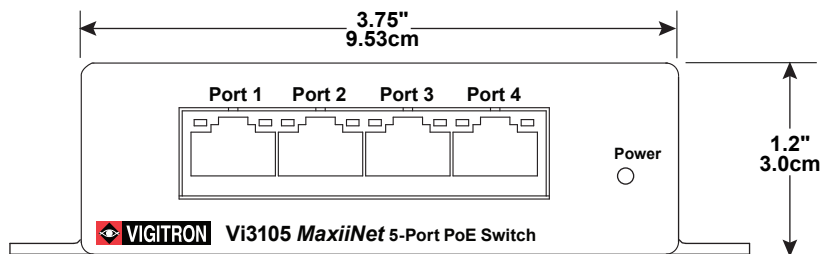


TEL (+1) 858-484-5209 • FAX (+1) 858-484-1205

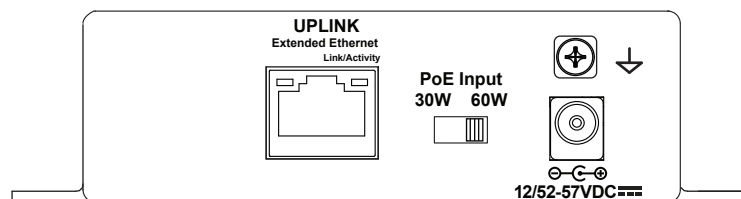
7810 Trade Street, Suite 100, San Diego, CA 92121, USA • support@vigatron.com • www.vigatron.com

© Copyright 2022 Vigatron, Inc.

# Mechanical Drawings



Front View

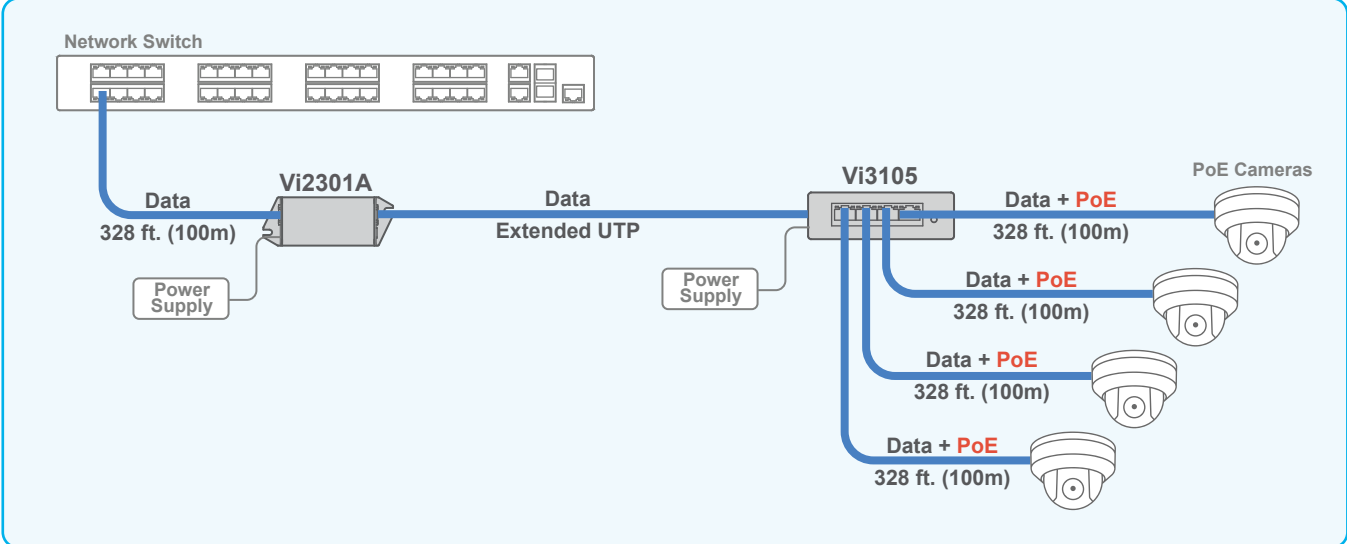


Rear View

# Application Drawings

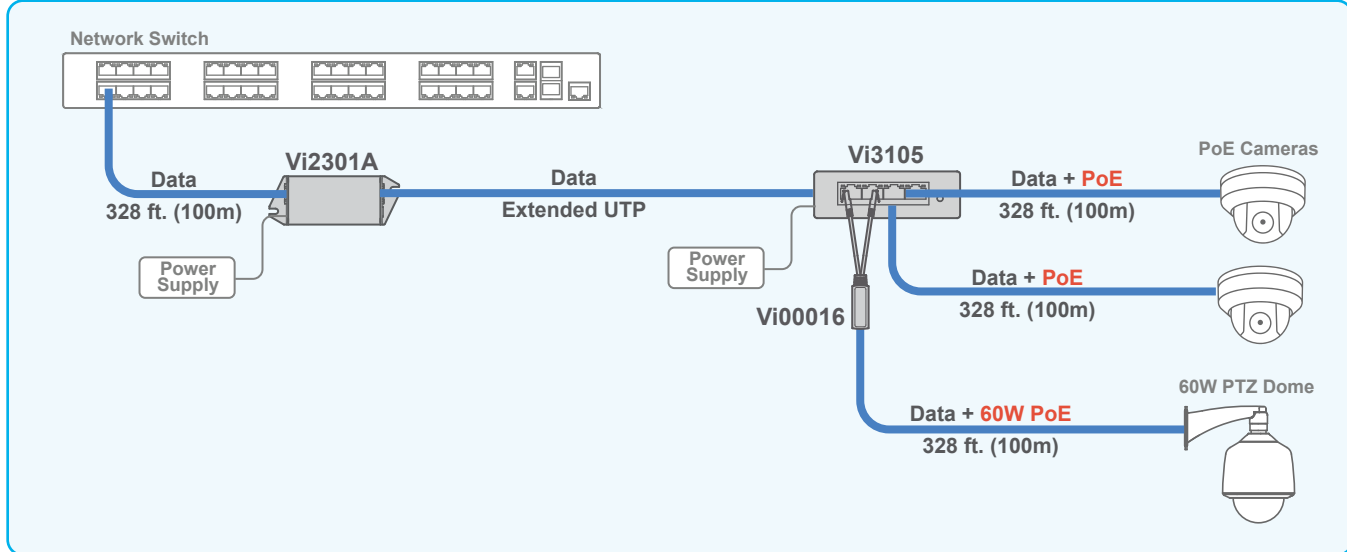
Cat 5/6

## Connecting Cameras over Extended UTP



The Vi3105 can receive data over extended distance UTP up to 2,000 ft. at 100Mbps and power 4 PoE cameras using local power supplies.

## Connecting Cameras over Extended UTP

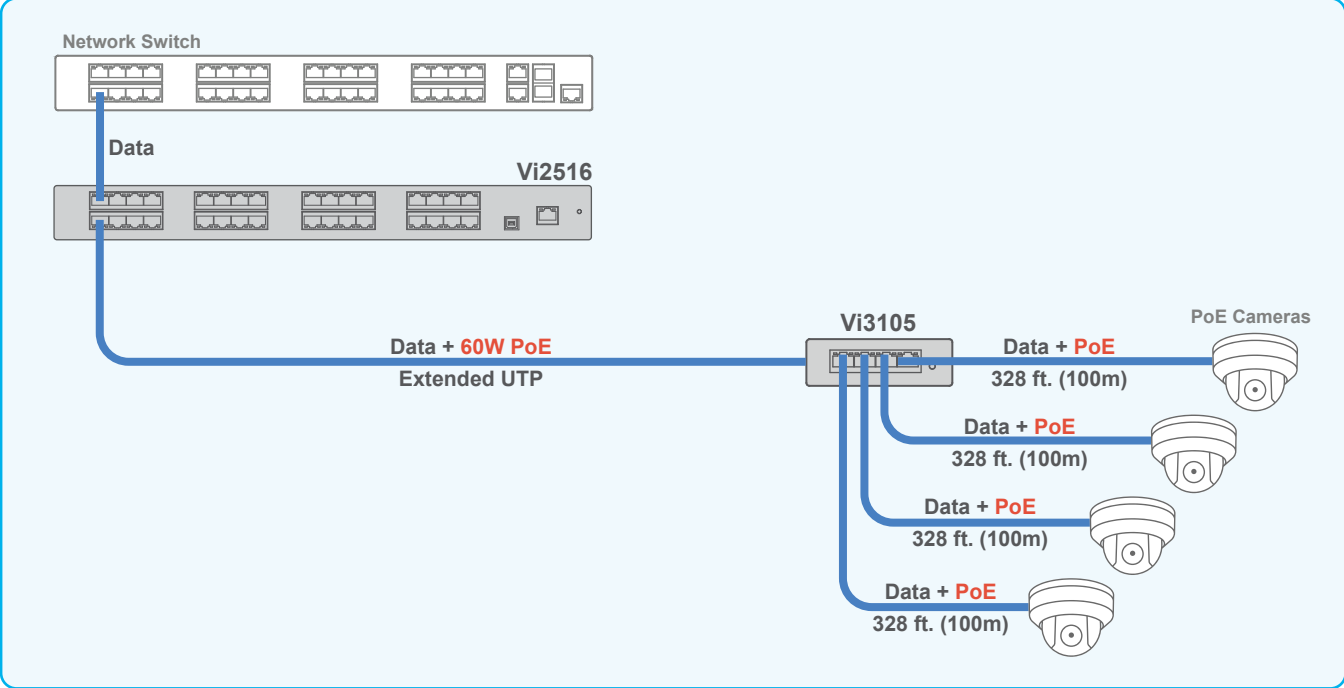


The Vi3105 can receive data over extended distance UTP up to 2,000 ft. at 100Mbps and power 60W PoE cameras using the Vi00016 combiner cable and a local power supply.

# Application Drawings

— Cat 5/6

## Connecting Cameras over Extended UTP



The Vi2516, Extended UTP Midspan, can provide PoE to power the Vi3105 over extended distance UTP up to 2,000 ft. at 100Mbps and power up to 4 cameras.