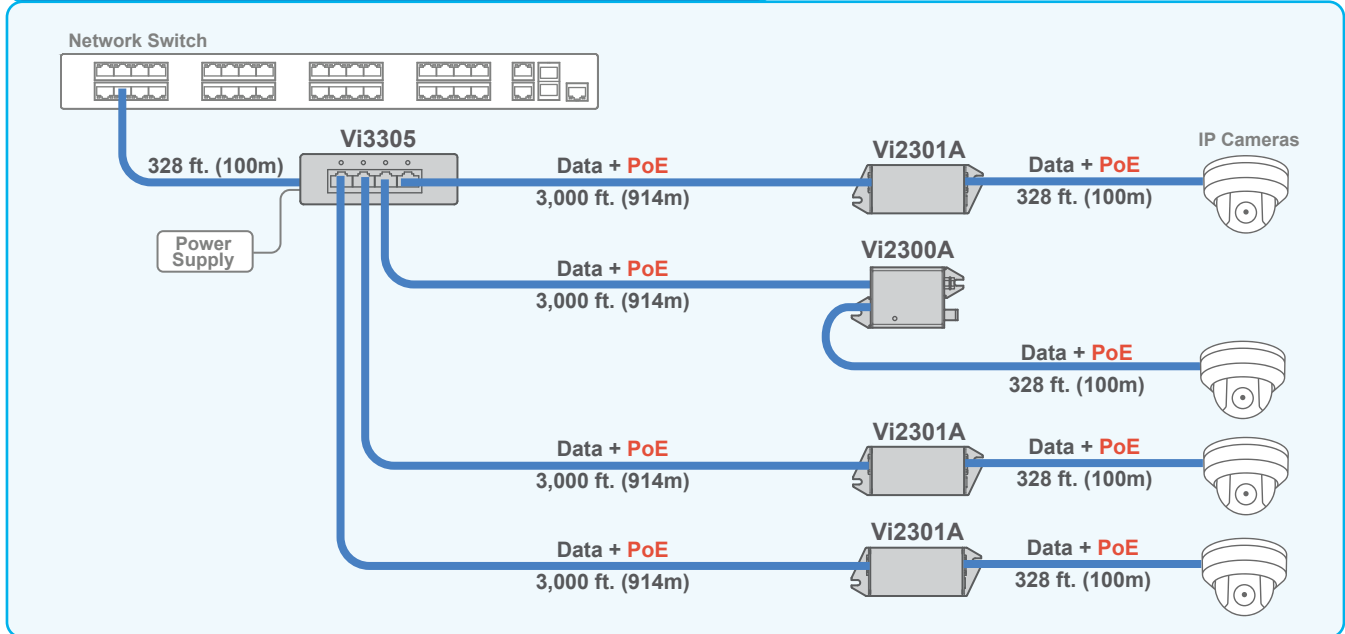
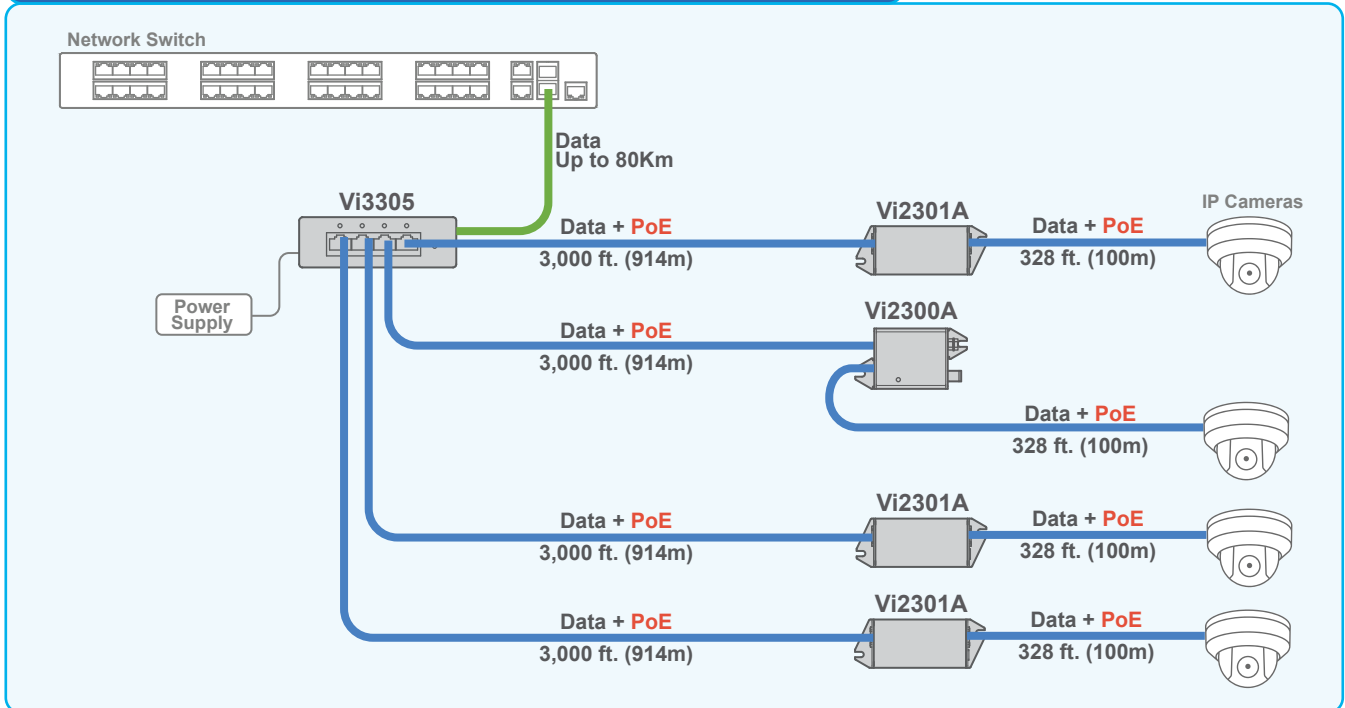


Powering 4 remote cameras over Coax using PoE



Up to four cameras, including high powered PTZ domes can be remotely powered without the need for local power supplies.

Connecting 4 remote cameras using Coax and Fiber Optics



The Fiber optics uplink port can be used to connect 4 cameras up to 80Km.