

Vi3305

5-port Extended UTP PoE Switch

Features

- 5-port Layer 2 extended distance UTP PoE switch
- 4 extended UTP ports with PoE and IP video at distances up to 3,000 ft. (909m)
- Provides PoE power to the remote camera at extended distances when used with Vi2301A or Vi2300A and eliminates the need for local power source or power supplies
- Provides up to 36W PoE per port, capable of combing each 2-ports for up to 72W
- Provides MSA compliant SFP fiber output port for integration to existing fiber infrastructures and extreme long distance up to 80Km
- Certified (MPC™) high data rate for virtual loss free transmission of cameras
- Type tested to RFC 2544 TCP/IP network bandwidth packet transmission standards
- Type tested for -30°C to +75°C operating temperature range
- Complies with major IEEE standards and RFC network protocols for UTP, TCP/IP, HTTP/HTTPS
- Provides full Layer 2 network switch functionality



Applications

- Upgrading analog CCTV installations into digital systems
- Expanding networks in industrial environment
- CCTV system for casinos, airports, school campuses, and many more

Vigitrion's MaxiiNet™ Vi3305 fixed managed five port extended UTP PoE switch brings new performance standards to the growing need for transmission of high speed Ethernet. It eliminates the need for local power for the cameras connected to its 4 ports at extended distances. The Vi3305 provides a 10/100Base-T and an SFP socket for fiber optic uplink.

The Vi3305 is powered locally by the Vi1120 to provide IEEE 802.3at PoE up to 36W to each port or up to 72W for two combined ports compensating for surge conditions and requirements for high powered PoE PTZ domes. The Vi3305 can operate over UTP at extended distances up to 3,000 feet (909m) when combined with the Vi2301A or Vi2300A.

With an operating temperature range of -30°C to 75°C, the Vi3305 is the perfect solution for data and power transmission for warehouses, parking lots, campuses, casinos, and many more. The Vi3305 is MegaPixel Certified (MPC™), type tested to network packet performance standards, and major manufacturer compatibility tested to assure you error free, quality operations. Fixed managed L2 functions include 802.1p Qos, support of 2k MAC addressing, learning, aging, and a non-blocking switch fabric.

Installation cost savings, proven performance, and major camera manufacturer compatibility all go into making Vigitrion's MaxiiNet™ Vi3305 an ideal solution for standard distance data and power transmission.

Technical Specification*

Electrical

Ethernet Interface	Standard 10/100BaseT
UTP	100 Ohm +/- 20%, up to 328 ft. (100m)
Power Source	External Power Supply: 57VDC @ up to 120W
Status LEDs	Power: Power On Ethernet: Traffic, Link PoE: PoE present Extended Uplink: 10/100 Link, Traffic
Connectors	Fiber: MSA compliant SFP socket Ethernet Interface: 1 x RJ45 Ethernet Extended Interface: 4 X RJ45 Power: Circular power connector
RFC	2544 TCP/IP Packet Transmission 768 UDP, 2068 HTTP, 793 TCP 791 IP, 1783 TFTP, 894 IP over Ethernet
PoE Compatibility	IEEE 802.3af, IEEE 802.3at, 74W High power PoE
Data Interfaces & Compliances	RFC 768 UDP, RFC 2068 HTTP RFC 793 TCP, RFC 791 IP RFC 1783 TFTP, RFC 894 IP over Ethernet RFC 2544 TCP/IP Packet Transmission IEEE802.3af, 8IEEE02.3at
IEEE Compliances	802.3ab, 802.3z, 802.3af, 802.3at, 802.1p, 802.1Q, 802.1D, 802.1s, 802.3u, 802.3x, 802.3w
Service Compliance	IPv4 Type of Service (TOS) & Differentiated Services (Diff-Serv) IPv6 Traffic Class

Regulatory

Safety	CE
Environmental	RoHS, WEEE

Environmental

Humidity	0 to 95%, non-condensing
Temperature	Operating: -30°C to +75°C Storage: -40°C to +85°C

Mechanical

Dimensions	1.2x3.75x5.1 in., 3.0x9.5x13 cm (HxWxL)
Weight	0.76 lb (344 g)
Housing	Aluminum

Optional Accessories

Vi1120:	57VDC, 120W Power Supply
Vi0017:	48VDC, 40W Power Supply
Vi0012:	12VDC, 12W Power Supply (for non-PoE Applications)
Vi0015:	Combiner Cable for 74W PoE Operation

*Specifications subject to change without notice.

Ordering Information

Part No. Description

Vi3305	4-Port PoE Layer 2 Network Switch
---------------	-----------------------------------

Related Products

Part No. Description

Vi2300A	1-Port Mini UTP Ethernet Extender
Vi2301A	1-Port UTP Ethernet Extender
Vi2304A	4-Port UTP Ethernet Extender
Vi2308A	8-Port UTP Ethernet Extender
Vi2316A	16-Port UTP Ethernet Extender
Vi00016	Combiner Cable for 74W PoE
Vi1120	120W 57V Power Supply
Vi0017	40W 48V DC Power Supply
Vi0012	12W, 12VDC Power Supply for non-PoE Applications

Data and PoE Distance^{1,3}

Data Rate	4-Pair ² (data + poe class 2)	1-Pair (data only)
10BaseT	N/A	3,000 ft. (909 m)
100BaseT	2,100 ft. (636 m)	1,000 ft. (303 m)

- Distance figures are obtained using in house testing mirroring installations. Factors such as cabling, connections, use of power and environmental conditions may affect actual distances and should be taken into consideration.
- Specifications reflect operating using Pass Through PoE (PTP™) providing power for both transceivers and camera from a single source. Distances may increase if transceivers are locally powered.
- System can be powered for 802.3af using PTP™ reference used is Class 2.

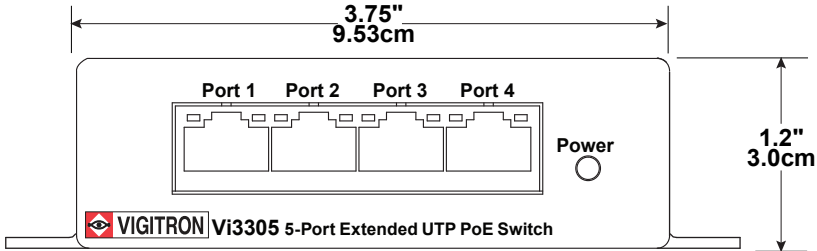


TEL (+1) 858-484-5209 • FAX (+1) 858-484-1205

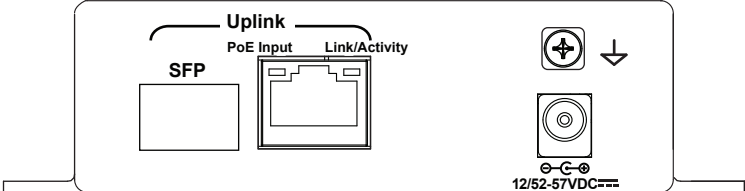
7810 Trade Street, Suite 100, San Diego, CA 92121, USA • support@vigatron.com • www.vigatron.com

© Copyright 2022 Vigatron, Inc.

Mechanical Drawings

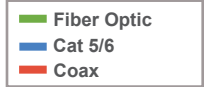


Front View

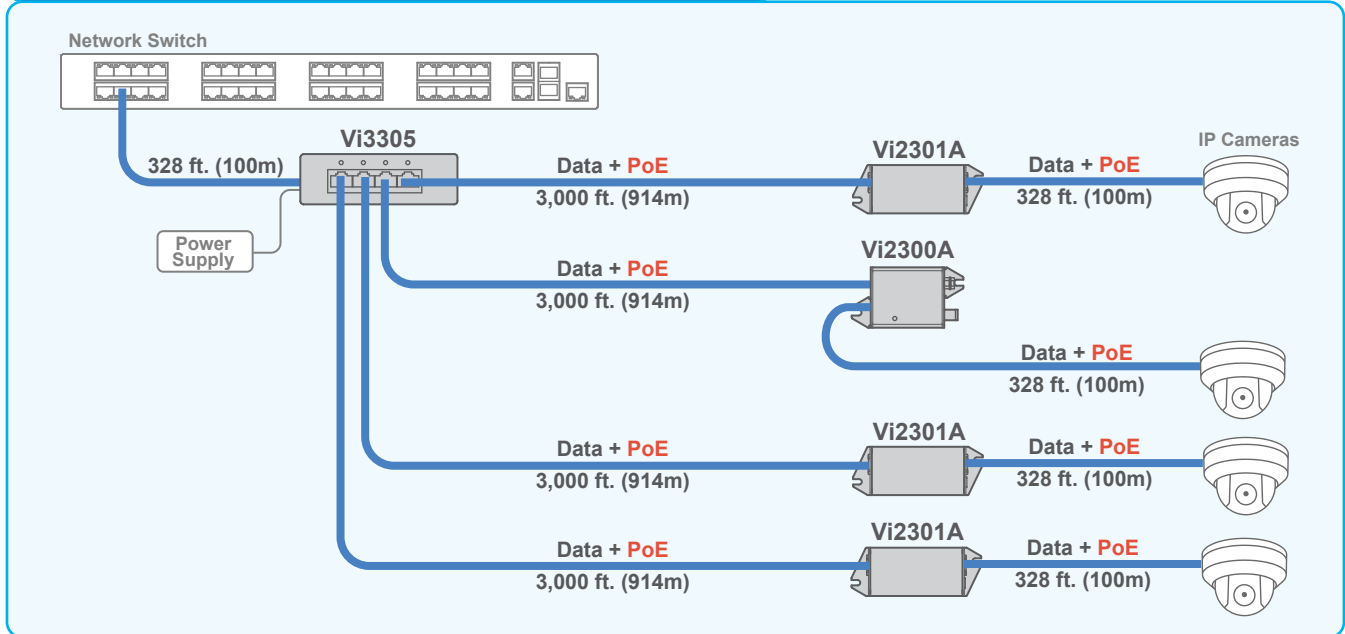


Rear View

Application Diagrams

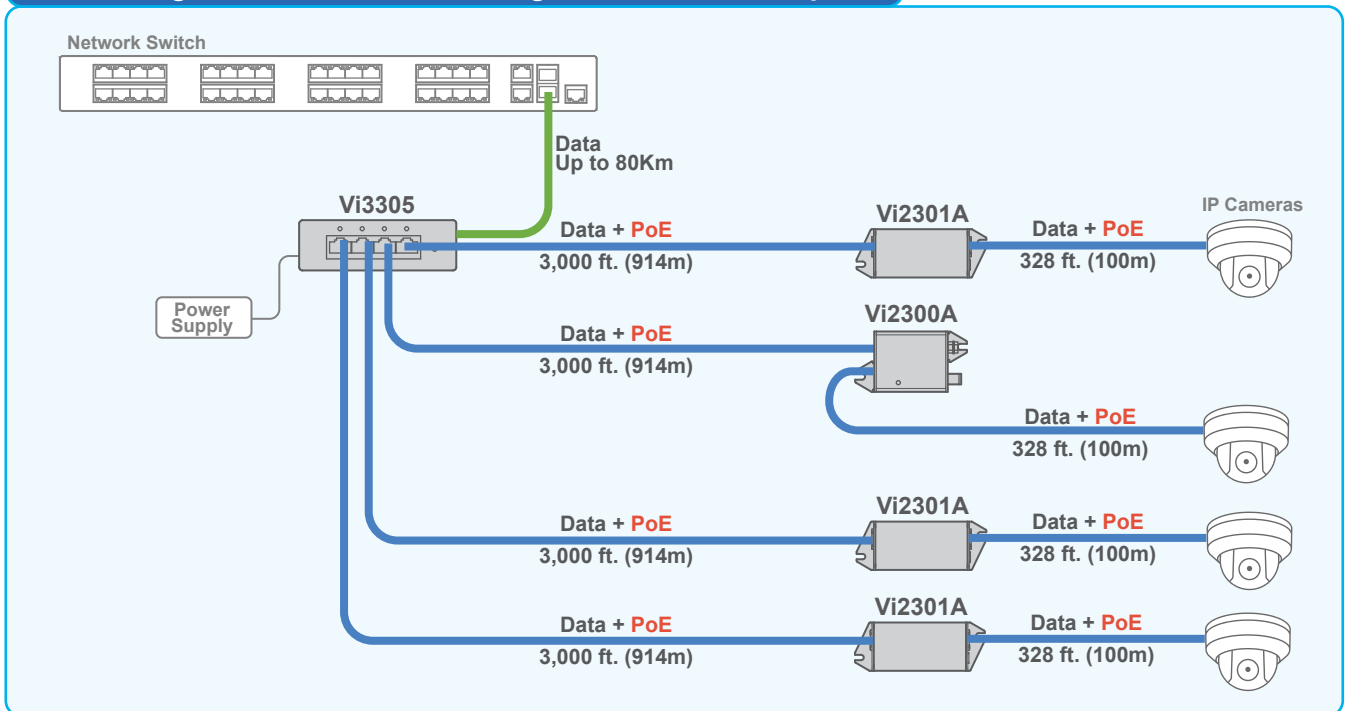


Powering 4 remote cameras over Coax using PoE



Up to four cameras, including high powered PTZ domes can be remotely powered without the need for local power supplies.

Connecting 4 remote cameras using Coax and Fiber Optics



The Fiber optics uplink port can be used to connect 4 cameras up to 80Km.

