



Vigatron's MaxiiNet™ Vi3305 fixed managed five port extended UTP PoE switch brings new performance standards to the growing need for high speed transmission of high speed Ethernet. It eliminates the need for local power for the cameras connected to its 4 ports at extended distances. The Vi3305 provides a 10/100Base-T and an SFP socket for fiber optic uplink.

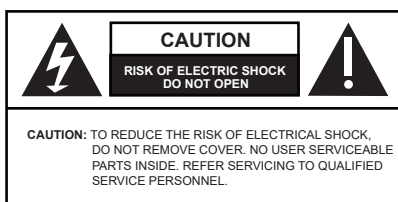
The Vi3305 is powered locally by the Vi1120 to provide 802.3at to each port, providing up to 37W (more than 802.3at) to each port or up to 74W for two combined ports compensating for surge conditions and requirements for high powered PoE PTZ domes. The Vi3305 can operate over UTP at extended distances up to 3,000 feet (909m) when combined with the Vi2301A or Vi2300A.

With an operating temperature range of -30°C to 75°C, the Vi3305 is the perfect solution for data and power transmission for warehouses, parking lots, campuses, casinos, and many more. The Vi3305 is MegaPixel Certified (MPC™), type tested to network packet performance standards, and major manufacturer compatibility tested to assure you error free, quality operations. Fixed managed L2 functions include IEEE 802.1, p Qos, support of 2k MAC addressing, learning, aging, and a non-blocking switch fabric.

Installation cost savings, proven performance, and major camera manufacturer compatibility all go into making Vigatron's MaxiiNet™ Vi3305 an ideal solution for standard distance data and power transmission.

Important Safety Warning

- Read and keep these instructions.
- Heed all warnings.
- Follow all instructions.
- Do not use this apparatus near water.
- Clean only with a dry cloth.
- Install in accordance with the manufacturer's instructions.
- This installation should be made by a qualified service person and should conform to all local codes.
- DO NOT bundle UTP or Coax signals in the same conduit as high-voltage wiring.
- To reduce the risk of fire or electrical shock, do not expose these products to rain, moisture, dripping or splashing.
- No objects filled with liquids, such as vases, shall be placed on Vigatron equipment.
- DO NOT install the unit in a place where the operating ambient temperature exceeds 75°C or is below - 40°C.
- Make sure that the external power supply output voltage is in the recommended range.
- Do not install near any heat sources such as radiators, heat registers, stoves or other apparatus (including DVRs) that produce heat.
- Protect the power cord from being walked on or pinched particularly at power source, convenience receptacles, and the point where they exit from the apparatus.
- Only use attachments/accessories specified by the manufacturer.
- Unplug this apparatus during lightning storms or when unused for long periods of time.
- Refer all servicing to qualified service personnel. Servicing is required when the apparatus has been damaged in any way, such as when a power supply cord or plug is damaged, liquid has been spilled, objects have fallen inside the apparatus, the apparatus has been exposed to rain or moisture, does not operate normally, or has been dropped.
- The main plug is used as the disconnect device and shall remain readily operable.



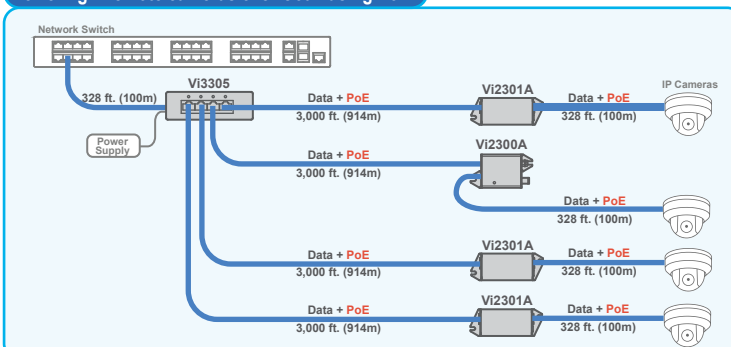
! WARNING! - To reduce the risk of fire or electric shock, do not expose this apparatus to rain or moisture. This apparatus shall not be exposed to dripping or splashing and no objects filled with liquids, such as vases shall be placed on the apparatus.

! WARNING! - This apparatus is a Class I product. This product must be connected to a mains socket outlet thru an AC to DC Power supply.

! WARNING! - The mains plug is used as the disconnect device and shall remain readily operable.

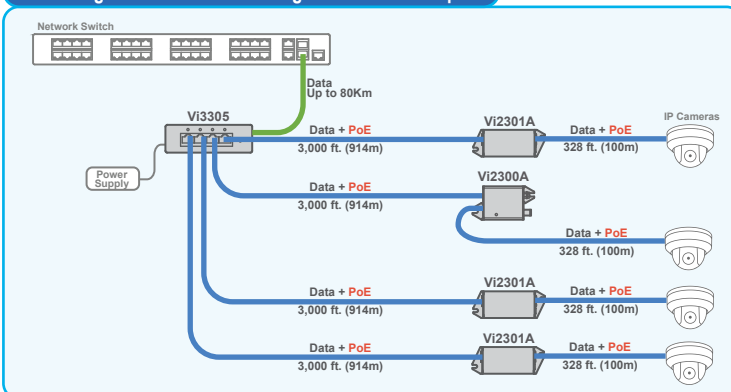
Application Drawings

Powering 4 remote cameras over Coax using PoE



Up to four cameras, including high powered PTZ domes can be remotely powered without the need for local power supplies.

Connecting 4 remote cameras using Coax and Fiber Optics



The Fiber optics uplink port can be used to connect 4 cameras up to 80Km.

Ethernet Switch/NVR-end Installation

Uplink Connections:

There are 2 ways to connect the Vi3305 Uplink to another network switch or NVR, either fiber optics or Standard UTP Ethernet. Only one of these ports can be active at the time.

a) Standard Ethernet RJ45 connector

- Connect the Uplink RJ45 connector of the Vi3305 to a standard Cat5/6 cable of maximum 328 feet (100m). Connect the other end of the cable to the Ethernet port of the other network switch.

b) Fiber optics

-If you want to use fiber optics first you need to insert a suitable SFP that matches your fiber optic cable into the Uplink SFP socket of the Vi3305. Then connect the fiber optics cable to the SFP. Connect the other end of SFP to the optical connector of the other network switch.

Power Supply:

-Connect a power supply to the power input of Vi3305. If there is no need for providing PoE on 4 ports a 12VDC power supply such as Vi0012 will be sufficient. If PoE is required at the ports you need to select a 48-57VDC power supply such as Vi1120 that can provide maximum PoE capacity on all 4 ports.

Extended Ethernet Ports:

- Connect a standard Cat5, or better, UTP cable of maximum 3,000 feet (914m) to one of the Ethernet ports. The ports will automatically configure as 10 or 100BaseT depending on the distance.

IP Camera-end Installation

- Use an Ethernet and PoE "Extender" such as Vi2301A or Vi2300A at the camera side.

- Connect one end of the long Coax cable to the BNC connector of Extended port of "Extender".

IP Camera-end Installation (continued)

- Connect the IP camera's RJ45 connector to the 10/100BaseT Ethernet port of "Extender" using a standard Cat5/6 patch cable of maximum 328 feet (100 m) in length.
- If you want to use local power connect an external 12VDC power supply such as Vi0012 to the power connector of the "Extender". An optional power adapter connector is provided to simplify connection. If no local power supply is present the "Extender" will use POE.

After the whole link from the Vi3305, "Extender" and the IP camera is complete, the link LED on the 10/100 connector should be "ON" to indicate proper connection between the camera and "Extender".

Technical Specifications*

Electrical

Ethernet Interface	Standard 10/100BaseT
UTP	100 Ohm +/- 20%, up to 328 ft. (100m)
Power Source	External Power Supply: 57VDC @ up to 120W
Status LEDs	Power: Power On Ethernet: Traffic, Link PoE: PoE present Extended Uplink: 10/100 Link, Traffic
Connectors	Fiber: MSA compliant SFP socket Ethernet Interface: 1 x RJ45 Ethernet Extended Interface: 4 X RJ45 Power: Circular power connector
RFC	2544 TCP/IP Packet Transmission 768 UDP, 2068 HTTP, 793 TCP 791 IP, 1783 TFTP, 894 IP over Ethernet
PoE Compatibility	IEEE 802.3af, IEEE 802.3at, 74W High power PoE
Data Interfaces & Compliances	RFC 768 UDP, RFC 2068 HTTP RFC 793 TCP, RFC 791 IP RFC 1783 TFTP, RFC 894 IP over Ethernet RFC 2544 TCP/IP Packet Transmission IEEE802.3af, 8IEEE02.3at
IEEE Compliances	802.3ab, 802.3z, 802.3af, 802.3at, 802.1p, 802.1Q, 802.1D, 802.1s, 802.3u, 802.3x, 802.3w
Service Compliance	IPv4 Type of Service (TOS) & Differentiated Services (Diff-Serv) IPv6 Traffic Class

Regulatory

Safety	CE
Environmental	RoHS, WEEE

Environmental

Humidity	0 to 95%, non-condensing
Temperature	Operating: -30°C to +75°C Storage: -40°C to +85°C

Mechanical

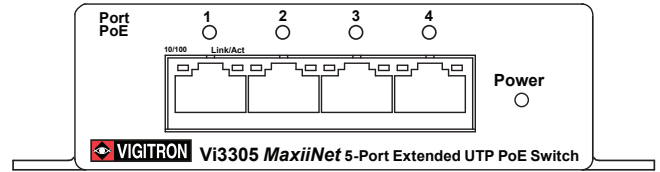
Dimensions	1.2x3.75x5.1 in., 3.0x9.5x13 cm (HxWxL)
Weight	0.76 lb (344 g)
Housing	Aluminum

Optional Accessories

- Vi1120: 57VDC, 120W Power Supply
- Vi0017: 48VDC, 40W Power Supply
- Vi0012: 12VDC, 12W Power Supply (for non-PoE Applications)
- Vi0015: Combiner Cable for 74W PoE Operation

*Specifications subject to change without notice.

Status LEDs



LED Name	Color	Status	Function
Power	GREEN	OFF	Power is OFF
		ON	Power is ON
Traffic (Extended Side)	YELLOW	OFF	No Traffic
		FLASHING	Traffic
10/100 BaseT (Extended Side)	GREEN	ON	Connection is OK, 10BaseT Mode
		ORANGE	ON
Link/Act (Standard Side)	YELLOW	OFF	No connection
		FLASHING	Connection is OK with Traffic

Ordering Information

Ordering Information

Part No. Description

Vi3305	4-Port PoE Layer 2 Network Switch
---------------	-----------------------------------

Related Products

Part No. Description

Vi2300A	1-Port Mini UTP Ethernet Extender
Vi2301A	1-Port UTP Ethernet Extender
Vi2304A	4-Port UTP Ethernet Extender
Vi2308A	8-Port UTP Ethernet Extender
Vi2316A	16-Port UTP Ethernet Extender
Vi00016	Combiner Cable for 74W PoE
Vi1120	120W 57V Power Supply
Vi0017	40W 48V DC Power Supply
Vi0012	12W, 12VDC Power Supply for non-PoE Applications

Limited Lifetime Warranty

Vigatron, Inc. warrants that all Vigatron products ("Product"), if used in accordance with these instructions, will be free of defects in material and workmanship for lifetime defined as the duration period of time until product end of life is announcement. After which Vigatron will continue to provide warranty services for a period of 3 years. Period covering valid warranty will be determined by proof of purchase in the form of an invoice from an authorized Vigatron dealer.

Warranty will only be provided for as long as the original end user purchaser owns the product. Warranty is not transferrable. At Vigatron's option, defective product will be repaired, replaced or substituted with a product of equal value. This warranty does not apply if, in the judgment of Vigatron, Inc., the Product fails due to damage from shipment, handling, storage, accident, abuse or misuse, or if it has been used or maintained not conforming to Product manual instructions, has been modified, or serial number removed or defaced. Repair by anyone other than Vigatron, Inc. or an approved agent will void this warranty. Vigatron, Inc. shall not under any circumstances be liable to any person for any incidental, indirect or consequential damages, including damages resulting from use or malfunction of the product, loss of profits or revenues or costs of replacement goods. The maximum liability of Vigatron, Inc. under this warranty is limited to the original purchase price of the Product only.

Prior to returning any defective Product, the end customer or the reseller from whom the end customer originally purchased the Product must obtain a Return Materials Authorization (RMA) number from Vigatron, Inc. All defective Products should be returned to Vigatron, Inc. with shipping charges prepaid. No collect shipments will be accepted.

Drawings

