

# Vi00026

## PoE Class Changer

### Features

- Requests maximum IEEE 802.3at PoE power from PoE source
- Maintains IEEE 802.3 PoE protection features
- Establishes handshaking from PoE
- Eliminates PoE shut down due to insufficient PoE power level request specially at extended distances
- Assures that reliable PoE is provided to connected device



### Applications

- All PoE powered equipment
- Applications using high PoE devices
- Applications using PoE at extended distance

The Vi00026 requests maximum IEEE 802.3at PoE power from the PoE source regardless of the PoE load power level.

There are many reasons that IP/PoE CCTV applications may require more power than the end PoE device. This can be due to higher wire resistance, start up power surge, or features such as day/night and LED start up. Also when using Ethernet extenders the total required PoE power will be higher than the camera power requirement. The Vi00026 eliminates the possibility of power mismatch between the camera PoE power level and the total PoE power require for the whole link and avoid camera shut downs due to insufficient PoE power.

Vigitron's Vi00026 PoE power class changer takes the guess work out of all these potential problems. Using a built in PD and PSE, the Vi00026 helps to bridge the power requirement differences assuring the more reliable connections.

# Technical Specification\*

## Electrical

Ethernet Standards	IEEE 802.3 10Base-T IEEE 802.3u 100Base-TX IEEE 802.3af, IEEE 802.3at, IEEE 802.3z
PoE Output Power	802.3af/802.3at, up to 30W
Connectors	Ethernet and PoE Input: RJ-45 Ethernet and PoE Output: RJ-45
Status LED	PoE input LED (on/off) PoE output LED (on/off)
Power Supply	Uses PoE, no power supply required

## Ordering Information

PART No.	Description
Vi00026	PoE Class Changer

## Regulatory

Regulatory	CE, WEEE, RoHS
------------	----------------

## Environmental

Humidity	0% to 95%, non-condensing
Temperature	Operating: -20°C to +75°C Storage: -40°C to +85°C

## Mechanical

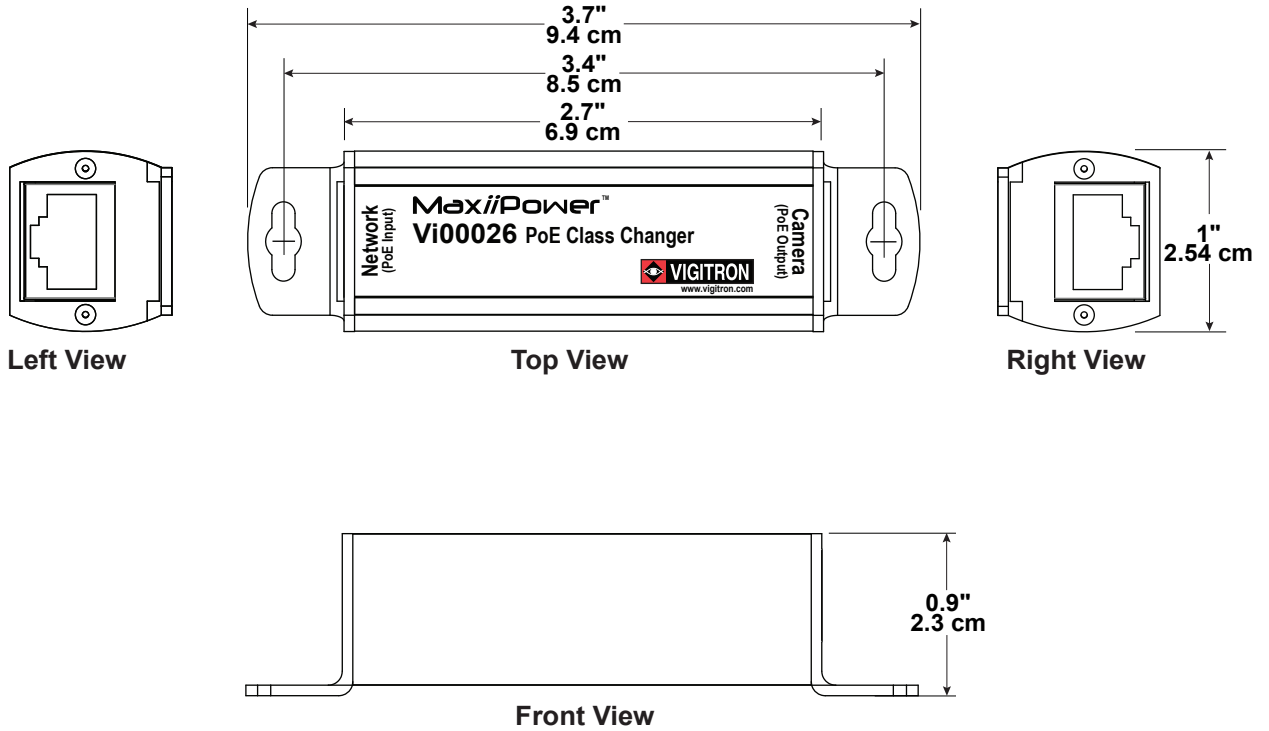
Dimensions	0.9x1x2.7 in., 2.3x2.5x6.9 cm (HxWxL)
Weight	0.01 lbs (107g)
Housing Material	Extruded Aluminum

## Status LEDs

LED Name	Color	Status	Function
PoE Input	Green	OFF	Input PoE Power is Off
		ON	Input PoE Power is On
PoE Output	Green	OFF	Output PoE Power No PoE
		ON	Output PoE Power is On



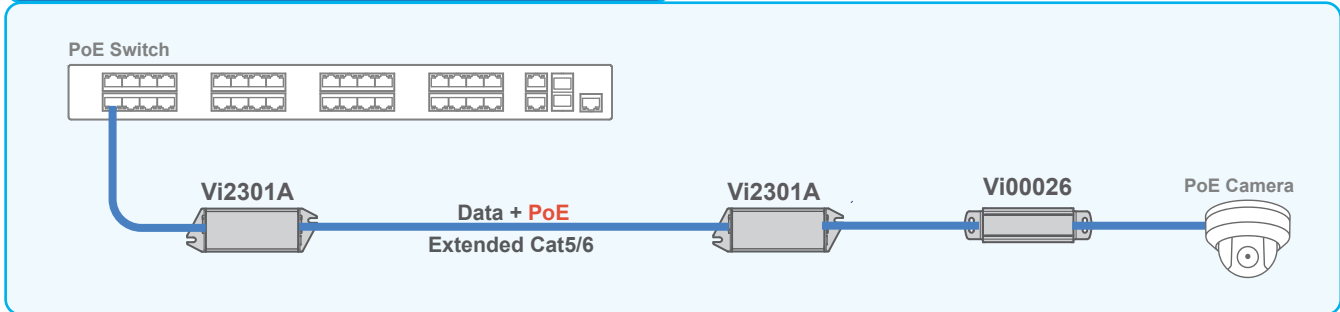
# Product Drawings



# Application Drawings

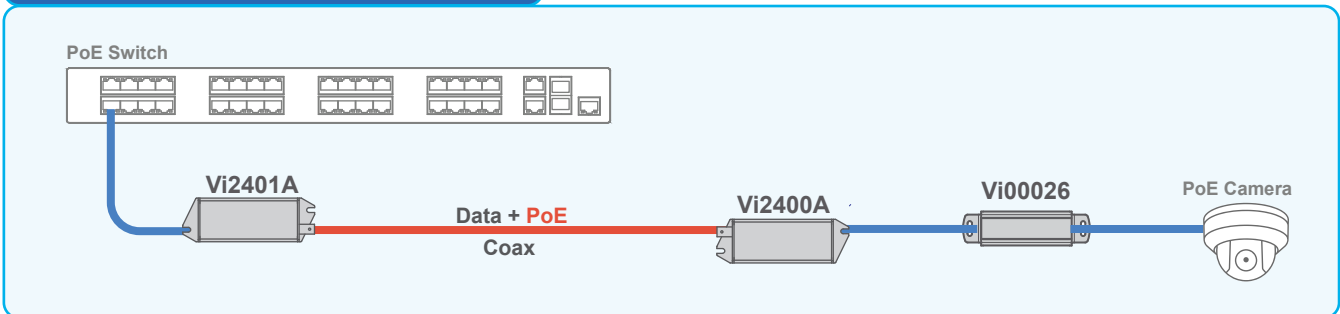


## Powering PoE cameras over Extended UTP



The Vi00026 requests maximum IEEE 803.2at PoE power from the PoE source to assure enough power for IP camera, extra power loss due to extended cable and Ethernet extenders regardless of camera rated power level.

## Powering PoE cameras over Coax



The Vi00026 requests maximum IEEE 803.2at PoE power from the PoE source to assure enough power for IP camera, extra power loss due to extended cable and Ethernet extenders regardless of camera rated power level.