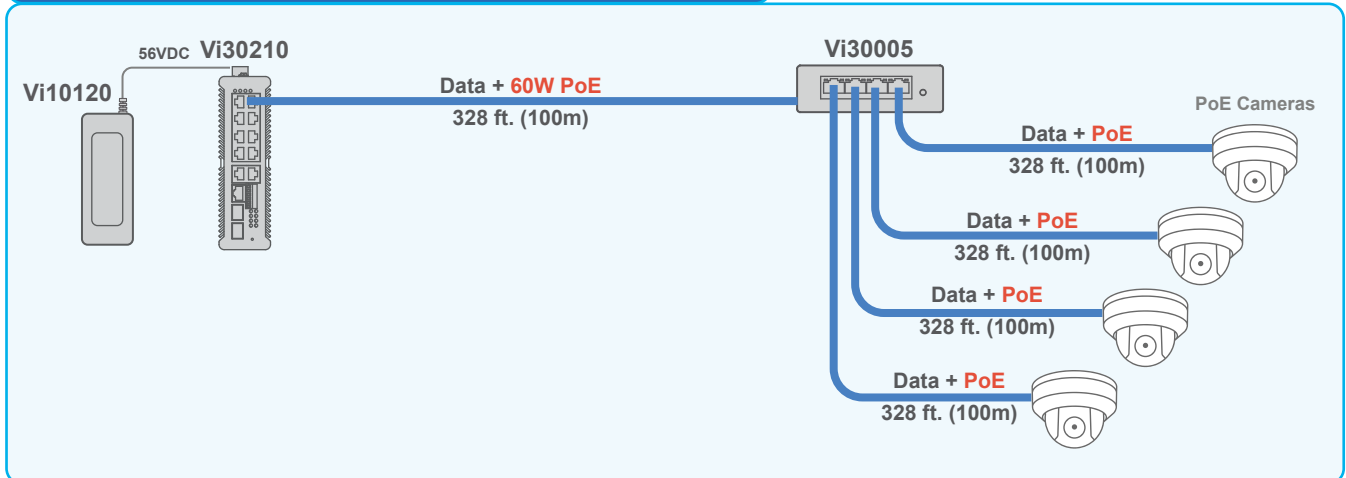


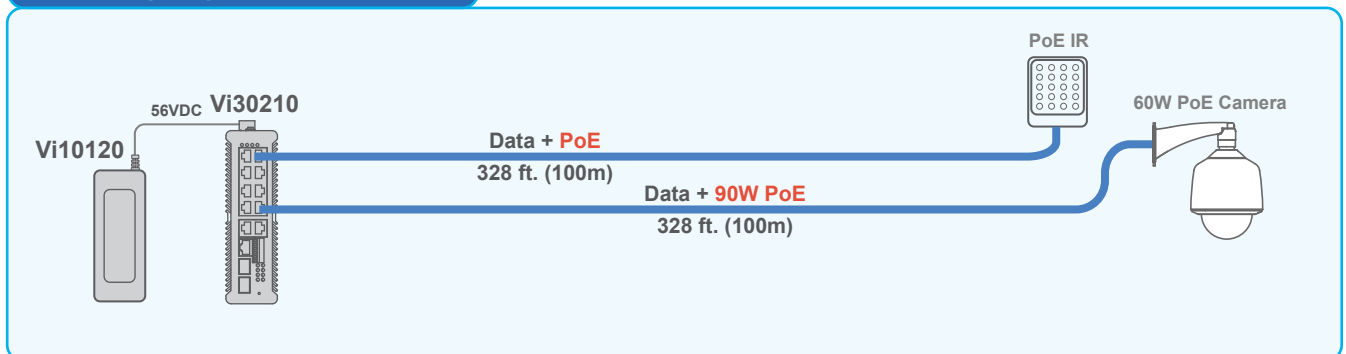
— Cat 5/6

Powering Multiple Remote PoE Cameras



The Vi11120 can be used to power a local PoE switch, a remote PoE powered PoE switch and multiple connected PoE cameras.

Powering High PoE Switches



The Vi11120s can be used to power a wide variety of devices such as high power cameras and IR illuminators.