

# Vi2300WP

## Weatherproof IP67 Ethernet Extender over UTP

### Features

- Conforms to IP67 standards with total dust and moisture protection
- IEC 60068-252 certified for operation in salt laden environments
- Easy to install does not required connector removal
- Requires no switch setting or network programming
- Extended Pass Through PoE (EPTP™) compatible with 802.3af, at, bt up to 74W
- Mega-Pixel Certified (MPC™) High data rate, ideal for high bandwidth requirements of Mega-pixel cameras, multiple IP cameras systems, and cameras transmitting Jumbo Frames
- Symmetric Bandwidth (SBW™) provides consistent upload and download with Virtual Zero Packet Loss (VZPL™)
- Type tested to RFC-2544 TCP/IP network bandwidth packet transmission standards
- Supports one-pair or four-pair UTP wires with built-in transceiver cable connectivity tester
- Type tested for -40°C to +75°C conforming to NEMA-TS2 testing standards
- Complies to major IEEE standards and RFC network protocols for UDP, TCP/IP, HTTP/HTTPS



### Applications

- Extending Ethernet distances beyond Ethernet 100m limit
- Providing high power PoE to PTZ cameras at long distances
- CCTV System for casinos, airports, school campuses, parking lots, jails, loading decks, and car lots
- Outdoor: Perimeters, parking lots, garages, and loading docks

Vigtron's MaxiiCopper™ Vi2300WP UTP Ethernet extender brings new performance standards to the growing need for high speed transmission of full bandwidth Ethernet and high-power PoE over extended distances. Its compact IP67 weatherproof design is perfect for any outdoor applications. The ability to power PoE cameras at distances up to of 2,500 ft. (757m), without the need for local power source, makes it the perfect solution for parking lots, car lots, loading decks, and perimeter security applications. Its unique Symmetric Bandwidth (SBW™) assures full bandwidth transmission is maintained over the entire operational distance for both uploads and downloads with Virtual Zero Packet Loss (VZPL™). It can use 1 pair or 4 pairs of UTP and requires no switch setting or network programming.

The Vi2300WP is designed for the hardest environmental conditions with total dust protection, water immersion, and an operating temperature range of -40°C to +75°C.

The patent pending Pass-Through-PoE (PTPTM) eliminates the need for local power supplies and outlets allowing a single PoE source, such as a PoE network switch, to provide power to both transceivers and the PoE camera. The Vi2300WP can pass through up to 74W, UPoE compliant. It is type tested under NEMA-TS2 environmental standards for extended temperature range -40°C to +75°C. It is low power and can easily fit inside most cameras housing and junction boxes. Best of all, it is MegaPixel Certified (MPC™), type tested to network packet performance standards, and compatible with all major camera brands to assure you error free and reliable operations.

The Vi2300WP is the perfect solution for a wide variety of extended distance data and power transmission applications such as warehouses, parking lots, campuses, and casinos.



The Smart Choice for Transmission Solutions

[www.vigtron.com](http://www.vigtron.com)

# Technical Specification\*

## Electrical

Ethernet Interface	Standard 10/100BaseT
Ethernet Rate	Auto selectable 10/100 Mb/s Full speed / full duplex at maximum rated distances
UTP**	100 Ohm +/- 20%, Cat5 or better 10BaseT: up to 3,000 ft. (914 m) 100BaseT: up to 2,100 ft. (640 m)
Connectors	Ethernet Interface RJ-45 Connector Extended Interface RJ-45 Connector
Power Supply	1.5W, PoE only
Connectors	Ethernet Interface: weatherproof RJ-45 Connector Extended Interface: weatherproof RJ-45 Connector
Data Interfaces and Compliances	RFC 768 UDP, RFC 2068 HTTP RFC 793 TCP, RFC 791 IP RFC 1783 TFTP, RFC 894 IP over Ethernet RFC 2544 TCP/IP Packet Transmission
PoE Compatibility	IEEE 802.3af, IEEE 802.3at, UPoE compliant
Jumbo Frame	Up to 9,600 bytes

## Regulatory

Safety	CE
Environmental	RoHS, IP67
FCC	Part 15, Subpart B, Class B 2010
Emissions	EN 5502:2006+A1:2007, EN 61000-3-3:2008 EN 61000-3-2:2006+A1:2009+A2:2009 EN 55024:1998+A1:2001+A2:2003

## Environmental

Humidity	0 to 95%, non-condensing
Temperature	Operating: -40°C to +75°C ** Storage: -40°C to +85°C
IP Rating	Conforms to IP67

## Mechanical

Dimensions	1.82 x 1.7 x 7 in., 4.6 x 4.3 x 17.8 cm (HxWxL)
Weight	0.49 lbs., 220 g
Material	ABS plastic, UL rating of 94V-0

\*Specifications subject to change without notice.

\*\*Vigatron "WP" are designed as self contained to comply with specific environmental standard. Operating in conditions other than free air with proper ventilation will affect performance and may void warranty.

## Ordering Information

### Part No. Description

<b>Vi2300WP</b>	Single port IP67 UTP Ethernet Extender
-----------------	--

## Related Products

### Part No. Description

<b>Vi2300A</b>	Single port Mini UTP Ethernet Extender
<b>Vi2301A</b>	Single port UTP Ethernet Extender
<b>Vi2301AU</b>	Single port UTP Ethernet Extender
<b>Vi2304A</b>	4-port UTP Ethernet Extender
<b>Vi2308A</b>	8-port UTP Ethernet Extender
<b>Vi2316A</b>	16-port UTP Ethernet Extender
<b>Vi2508</b>	8-port Extended UTP Midspan
<b>Vi2516</b>	16-port Extended UTP Midspan
<b>Vi2701RX</b>	Single port Extended UTP Midspan
<b>Vi0012</b>	12 VDC Wall-mount Power Supply

## Data and PoE Distance <sup>1</sup>

Data Rate	4-Pair <sup>2</sup> (Data + PoE class 2)	1-Pair (Data only)
10BaseT	n/a	3,000 ft. (914 m)
100BaseT	2,100 ft. (636 m)	1,000 ft. (303 m)

1. Distance figures are obtained using in house testing mirroring installations. Factors such as cabling, connections, use of power and environmental conditions may affect actual distances and should be taken into consideration.
2. Specifications reflect operating using Pass Through PoE (PTP™) providing power for both transceivers and camera from a single source. Distances may increase if transceivers are locally powered.

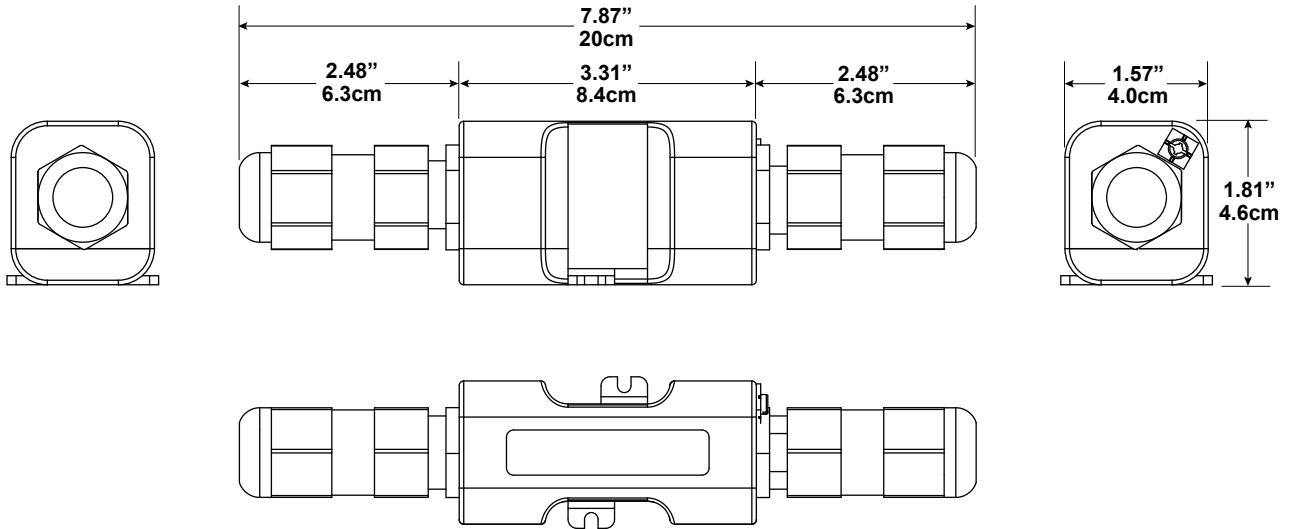


TEL (+1) 858-484-5209 • FAX (+1) 858-484-1205

7810 Trade Street, Suite 100, San Diego, CA 92121, USA • support@vigatron.com • www.vigatron.com

© Copyright 2021 Vigatron, Inc.

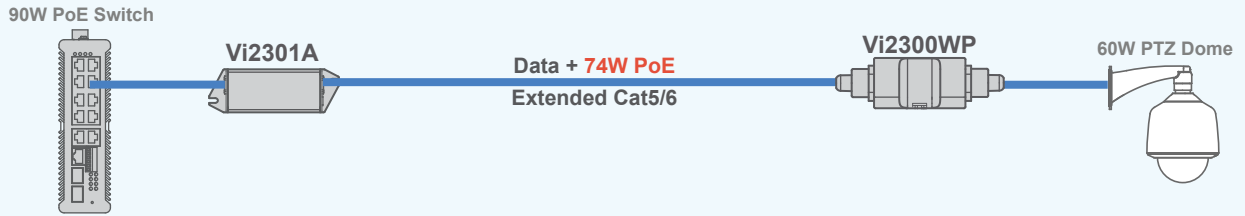
# Application Diagrams



# Application Drawings

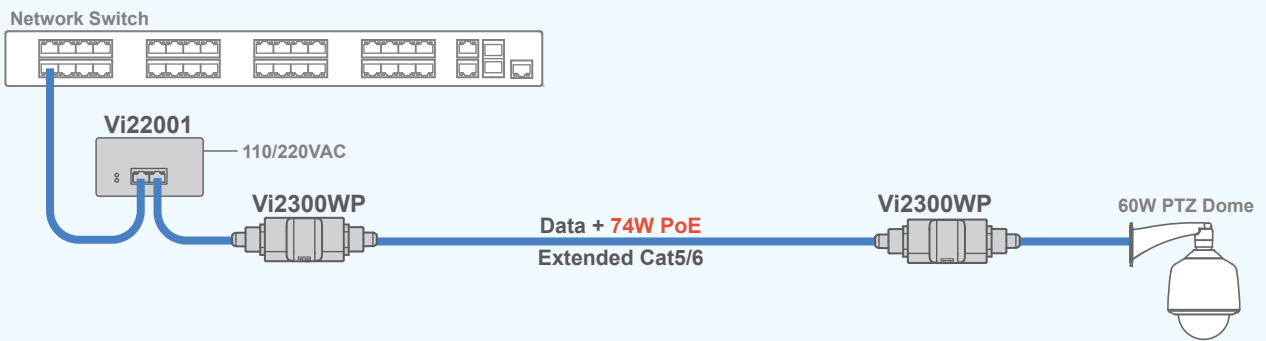
— Cat 5/6

## Extending Ethernet and 60W PoE from a PoE Switch



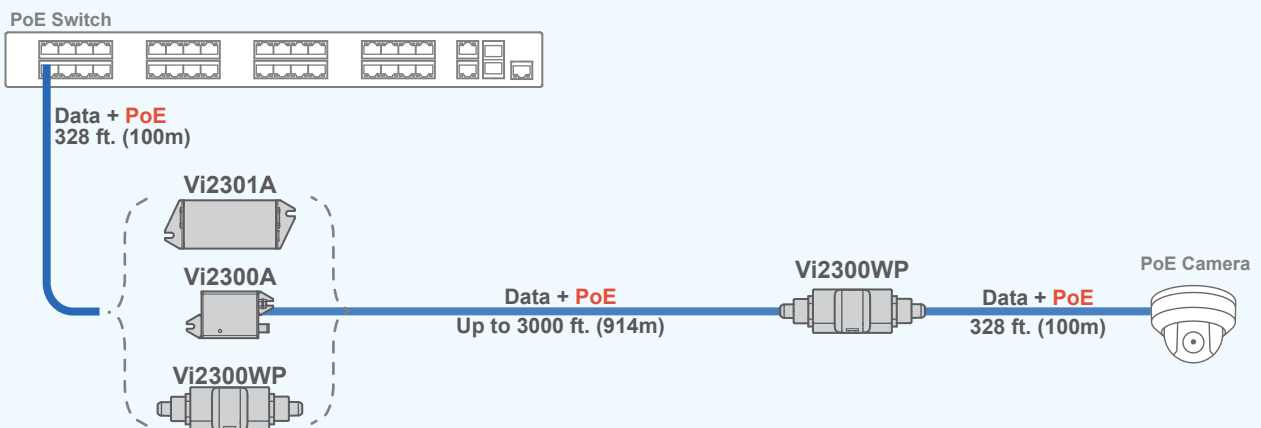
The Vi2300WP extends Ethernet and 90W PoE from a PoE switch.

## Extending Ethernet and 60W PoE from a Switch & PoE Midspan



The Vi2300WP extends Ethernet and 60W PoE from a PoE Midspan.

## Using Vi2300WP with UTP Ethernet and PoE Extenders



The Vi2300WP and Vigitron UTP Ethernet and PoE extenders can extend IP video and PoE at distances up to 3000ft of Coax.

