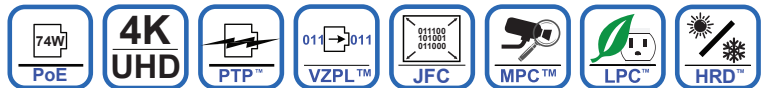


Vi3003

1G Drop and Insert 3-Port 60W PoE Switch

Features

- Enables multiple camera connections on a single cable run
- Each unit extends data and PoE for an extra 328 ft. (100m)
- Can be cascaded to transmit IP video and PoE up to 3,000 ft. (909m)
- Powered by PoE, no local power required
- Able to power IP PTZ domes
- Able to maintain up to 74W PoE at any point along cable run
- Automatically senses input data rate up to 1000Mbps (1Gbps)
- Provides third port for drop and insert along a single cable run
- Provides full IEEE network layer 2 switching to avoid transmission conflicts
- No network configuration is required
- Provides access to up to 9 IP addresses eliminating the need for network switches in small systems
- Eliminates the need for multiple cable runs for perimeter and parking lot applications
- Hardened with wide range operating temperature of -40°C to +75°C
- Metal housing protective construction



Applications

- For data PoE transmission of PTZ domes and transmitting multiple cameras on a single camera run
- Parking lots, office building and fence perimeter applications, continuous cable run for multiple cameras
- Adding new cameras to an existing installed network switch without having to purchase new switches

The Vi3003 is a 3-port Layer 2 Ethernet and PoE switch providing drop and insert capability for connecting several IP devices over a single cable run. The Vi3003 provides a cost effective method for increasing distances beyond the standard Ethernet limit of 328 feet (100m). Multiple units can be cascaded to provide up to nine IP cameras to be connected to a single network switch port over distances of up to 2,952 feet (900m).

For small systems, the Vi3003's Layer 2 network capability can eliminate the need for network switches, saving costs and rack space. It also can significantly decrease network switch costs by increasing the capacity of a 24-port switch to handle up to 216 cameras. As a mini network switch, the Vi3003 avoids the potentials for transmission collisions by complying with IEEE standards. Its ability to automatically sense the datarate up to 1,000Mbps (1Gbps) also makes it the perfect solution for cost effectively extending network to network communications or between network switches requiring high speeds transmission.

The Vi3003 can be powered by PoE eliminating the need for external power or a local power supply. Additional power up to 60W can be added at any point along the cable run where power outlets are available to provide the ability to power PoE IP cameras.

Hardened wide range operating temperature of -40°C to +75°C makes the Vi3003 a perfect solution for harsh environments.

Technical Specification*

Electrical

PoE Rating	Port 1 (PoE In): 60W Port 2 (PoE Out): 60W Port 3 (Tap): IEEE 802.3af, at (30W/60W)
Network Connection	(3) RJ-45 IEC 60603-7 connectors
Wiring Support	Cat 5/5e/6
Power Consumption	3W
Supported Distance	328 ft (100m) per link
PoE Supported	IEEE 802.3af, at, bt and UPoE
Status LEDs	Power: Green 30W PoE Output: Orange 60W PoE Output: Orange Port 1 (Uplink): 1G (Green), Link/Act. (Yellow) Port 2: 1G (Green), Link/Act. (Yellow) Port 3 (Tap): 1G (Green), Link/Act. (Yellow)
Data Rate	Auto Configuring Port 1: 10/100/1000Base-TX Port 2: 10/100/1000Base-TX Port 3 (Tap): 10/100/1000Base-TX
Data Interfaces and Compliances	RFC 768 UDP, RFC 2068 HTTP RFC 793 TCP, RFC 791 IP RFC 1783 TFTP, RFC 894 IP over Ethernet RFC 2544 TCP/IP Packet Transmission IEEE802.3af, 8IEEE02.3at
IEEE Compliances	802.3ab, 802.3z, 802.3af, 802.3at, 802.1p, 802.1Q, 802.1D, 802.1s, 802.3u, 802.3x, 802.3w
Service Compliance	IPv4 Type of Service (TOS) and Differentiated Services (Diff-Serv) IPv6 Traffic Class
VLAN Support	4,096 Addresses
Jumbo Frame	Up to 10,000 bytes

Regulatory

Safety	CE
Environmental	RoHS, WEEE

Environmental

Humidity	0 to 95%, non-condensing
Temperature	Operating: -40°C to +75°C per NEMA-TS2 testing Storage: -40°C to +85°C

Mechanical

Dimensions	0.97x1.76x4.12 in., 2.5x4.5x10.5 cm (HxWxL)
Weight	0.26 lb, 117 g
Material	Extruded Aluminum

*Specifications subject to change without notice.

Ordering Information

Part No.	Description
Vi3003	1G Drop and Insert 3-Port 60W PoE Switch

Related Products

Part No.	Description
Vi3103	Drop and Insert 3-Port 30W PoE Switch
Vi3003WP	IP67 1G Drop and Insert 3-Port 60W PoE Switch

PoE vs. Distance

PoE	Distance	# of Vi3003
60W	428 ft. (130m)	1
30W	800 ft. (242m)	2
15.96W	1,200 ft. (364m)	3
12.95W	1,900 ft. (580m)	5

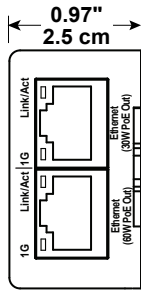


TEL (+1) 858-484-5209 • FAX (+1) 858-484-1205

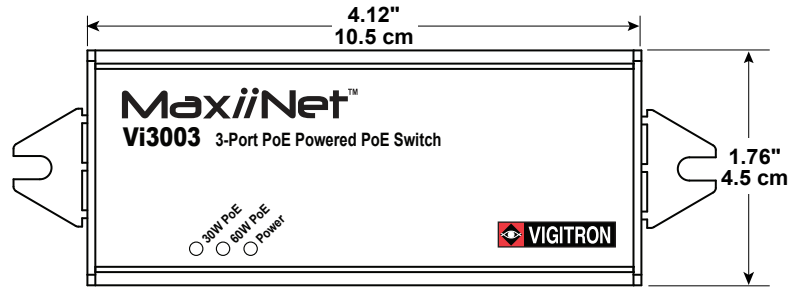
7810 Trade Street, Suite 100, San Diego, CA 92121, USA • support@vigatron.com • www.vigatron.com

© Copyright 2022 Vigatron, Inc.

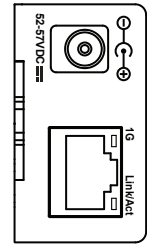
Mechanical Drawings



Left View



Top View

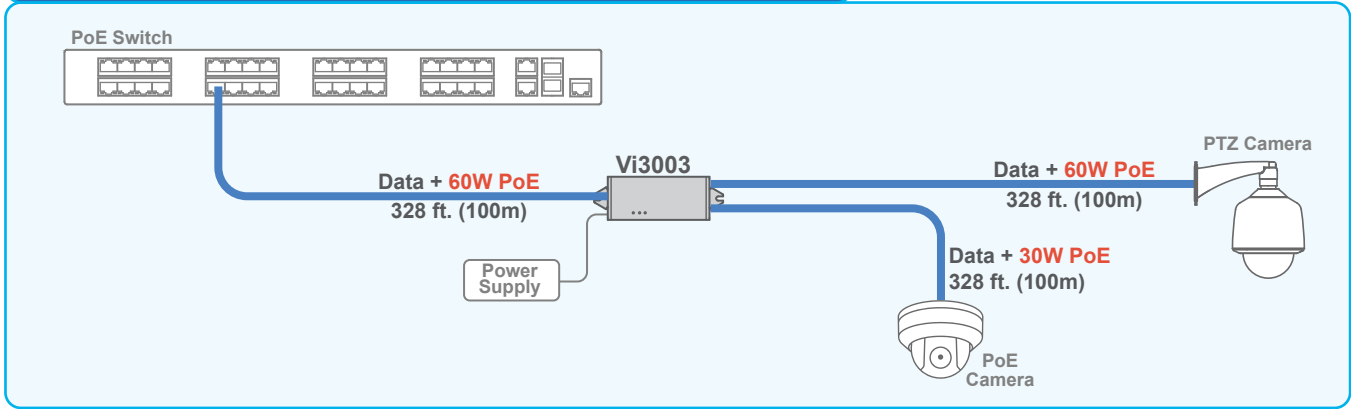


Right View

Application Drawings

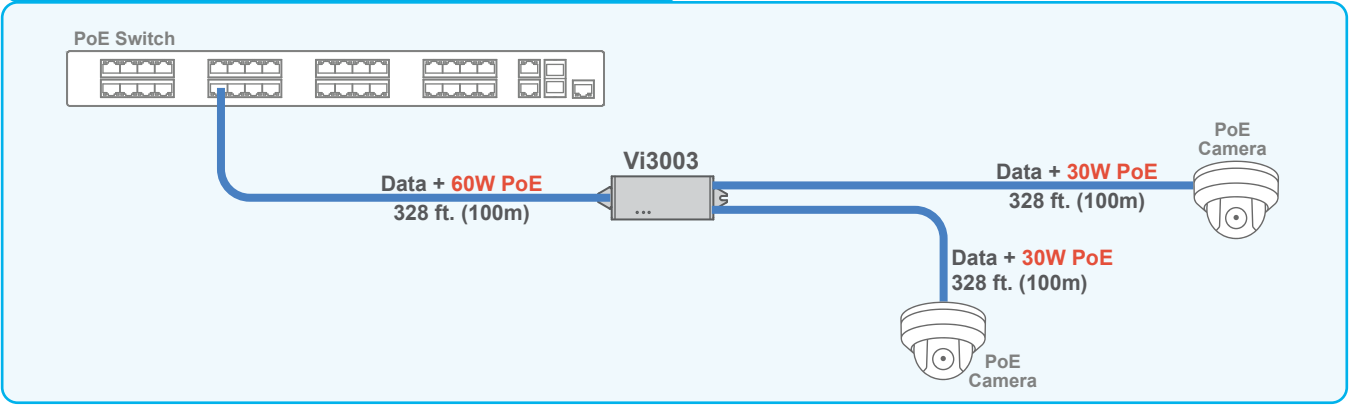
Cat 5/6

Providing PoE to 2 Cameras using a Local Power Supply



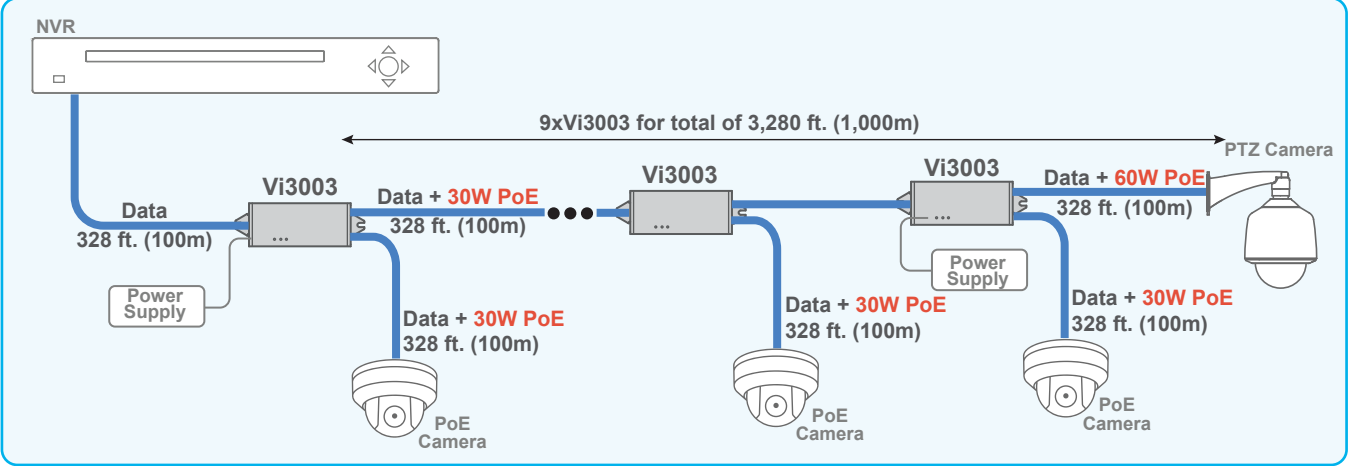
Vi3003 allows for the transmission of two cameras over a single cable run or adding a new camera close to an existing camera.

Providing PoE to 2 Cameras using input PoE



Vi3003 allows for the transmission of two cameras over a single cable run or adding a new camera close to an existing camera. The PoE Midspan provides power to the Vi3003 and both cameras.

Drop and Insert Application



A total of 9 IP addresses can be accessed on a single cable run eliminating the need for network switches.

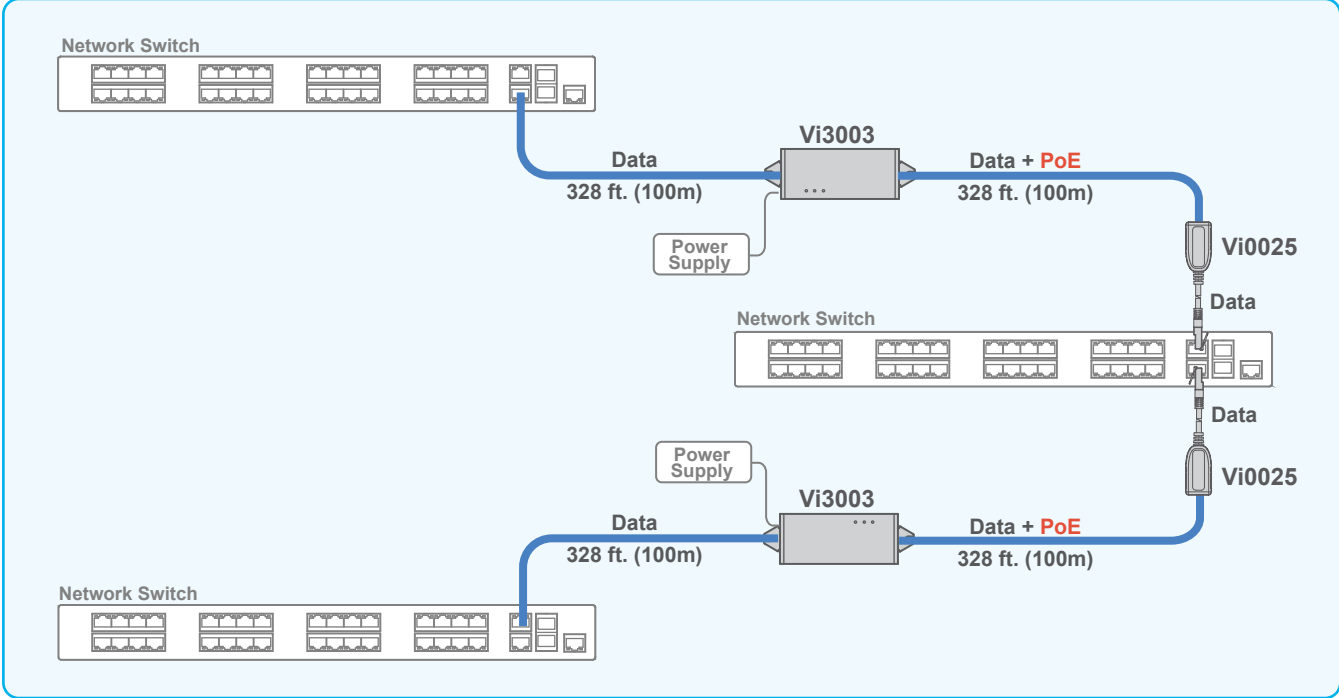


TEL (+1) 858-484-5209 • FAX (+1) 858-484-1205
 7810 Trade Street, Suite 100, San Diego, CA 92121, USA • support@vigatron.com • www.vigatron.com

Application Drawings

Cat 5/6

1G Extended Connection between Networks



Vi3003 enables extending 1G connection between networks.