

Vi30103

L2 Drop and Insert 3-Port 60W PoE Switch

Features

- Provides an easy way to add a second IP camera without requiring new home-run cable
- Each unit extends IP Video and PoE for an extra 328 ft. (100m)
- Multiple units can be cascaded to transmit IP Video and PoE up to 3,000 ft. (909m)
- Can be powered by 60W PoE or a local power source
- Provides up to 30W PoE output per port
- Automatically senses input data rate
- Provides third port for drop and insert along a single cable run
- Provides full IEEE Network layer 2 switching to avoid transmission conflicts
- No network configuration required
- Eliminates the need for multiple cable runs for perimeter and parking lot applications
- Provides access up to 9 IP addresses eliminating the need for network switches in small systems
- Hardened with wide range operating temperature of -20°C to +60°C



Applications

- Data and PoE transmission of multiple cameras on a single cable run
- Parking lots, office building and perimeter fence applications,
- Continuous cable run for multiple cameras reducing the number of home-run cables
- Expanding port count of an existing installed network switch for adding a new camera

The Vi30103 is a 3-port Layer 2 PoE switch providing drop and insert capability for connecting several IP devices along a single cable run. The Vi30103 provides a cost effective method for increasing distances beyond the standard Ethernet limit of 328 feet (100m). Multiple units can be cascaded to provide up to nine IP cameras to be connected to a single network switch port over distances of up to 3,000 feet (909m).

For small systems the Vi30103's Layer 2 network capability can eliminate the need for network switches saving costs and rack space. It also can significantly decrease network switch costs by increasing the port capacity of the switch. As a mini network switch, the Vi30103 avoids the potentials for transmission collisions by complying with IEEE standards. It is an easy and quick solution to add an extra camera without requiring to have a new home-run cable.

The Vi30103 can be powered by a 60W PoE source or a local power supply. Additional power up to 60W can be inserted at any point along the cable run where power outlets are available and provide the ability to power IP cameras up to 30W per port.

Technical Specification*

Electrical

PoE Rating	Port 1 (PoE In): up to 60W Port 2 & 3 (PoE Out): up to 30W
Network Connection	3 x RJ-45 IEC 60603-7
Bandwidth	10/100Mbps
Power Consumption	1.5W
Supported Distance	328ft (100m) per link
Status LEDs	Port 1: Power (Green), Link/Activity (Orange) Port 2: PoE (Green), Link/Activity (Orange) Port 3: PoE (Green), Link/Activity (Orange)
Data Rate	10/100Base-TX, Auto Configuring
Data Interfaces and Compliances	RFC 768 UDP, RFC 2068 HTTP RFC 793 TCP, RFC 791 IP RFC 1783 TFTP, RFC 894 IP over Ethernet RFC 2544 TCP/IP Packet Transmission IEEE802.3af, IEEE802.3at, 60W PoE (input)
IEEE Compliances	802.3ab, 802.3z, 802.3af, 802.3at, 802.1p, 802.1Q, 802.1D, 802.1s, 802.3u, 802.3x, 802.3w
Service Compliance	IPv4 Type of Service (TOS) & Differentiated Services (Diff-Serv) IPv6 Traffic Class

Regulatory

Safety	CE
Environmental	RoHS, WEEE

Environmental

Humidity	0 to 95%, non-condensing
Temperature	Operating: -20°C to +60°C Storage: -40°C to +85°C

Mechanical

Dimensions	0.97x1.76x2.7 in., 2.5x4.5x6.9 cm (HxWxL)
Weight	0.19 lb, 86 g
Material	Extruded Aluminum

*Specifications subject to change without notice.

Ordering Information

Part No.	Description
Vi30103	Drop & Insert 10/100Mbps 3-Port 60W PoE Switch

Related Products

Part No.	Description
Vi3103	Drop & Insert 10/100Mbps 3-Port 30W PoE Switch

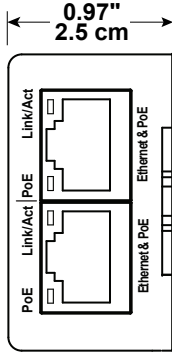


TEL (+1) 858-484-5209 • FAX (+1) 858-484-1205

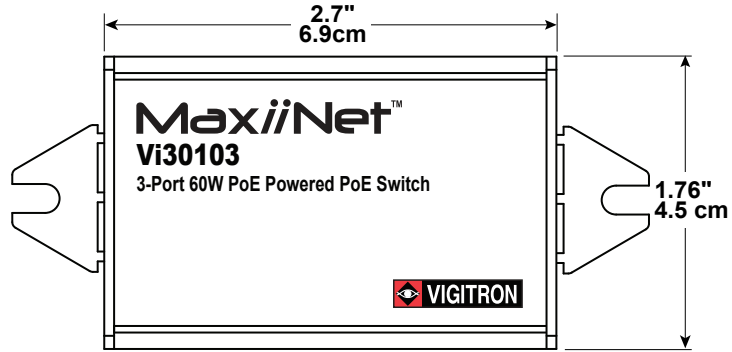
7810 Trade Street, Suite 100, San Diego, CA 92121, USA • support@vigatron.com • www.vigatron.com

© Copyright 2022 Vigatron, Inc.

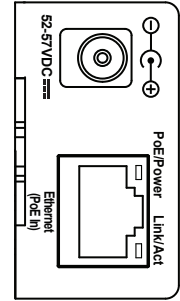
Mechanical Drawings



Right View



Top View

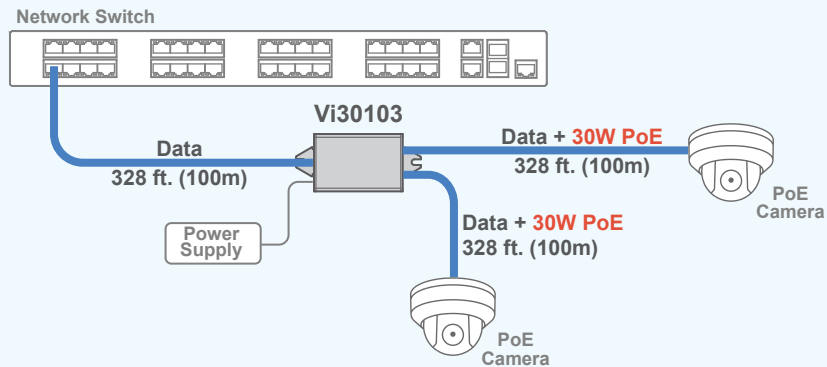


Left View

Application Drawings

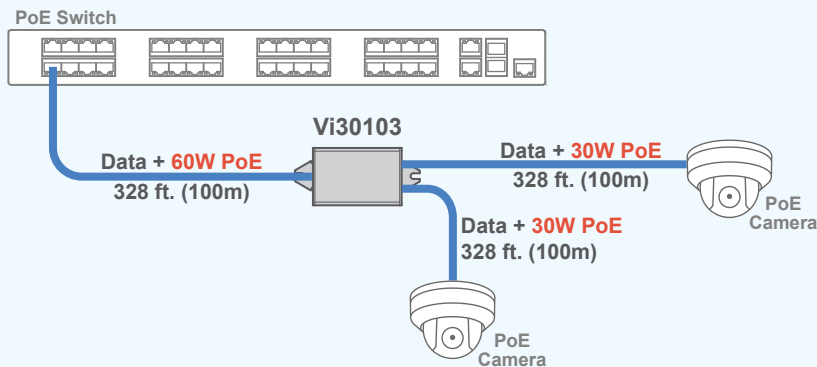
Cat 5/6

Providing PoE to 2 Cameras using a Local Power Supply



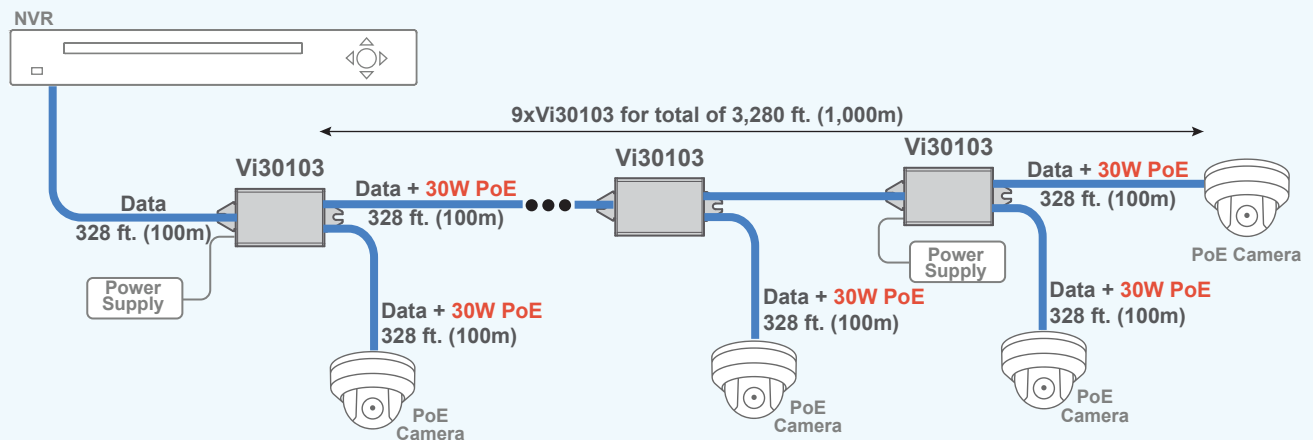
Vi30103 allows for the transmission of two cameras over a single cable run or adding a new camera close to an existing camera.

Providing PoE to 2 Cameras using input PoE



Vi30103 allows for the transmission of two cameras over a single cable run or adding a new camera close to an existing camera. The PoE Midspan provides power to the Vi30103 and both cameras.

Drop and Insert Application



A total of 9 IP addresses can be accessed on a single cable run eliminating the need for network switches.



TEL (+1) 858-484-5209 • FAX (+1) 858-484-1205
7810 Trade Street, Suite 100, San Diego, CA 92121, USA • support@vigatron.com • www.vigatron.com

© Copyright 2022 Vigatron, Inc.