



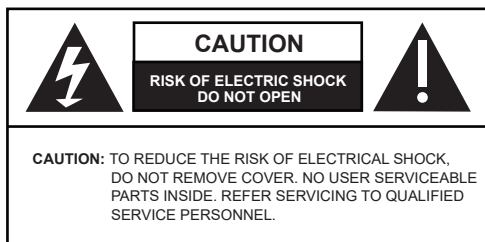
The Vi30103 is a 3-port Layer 2 PoE switch providing drop and insert capability for connecting several IP devices along a single cable run. The Vi30103 provides a cost effective method for increasing distances beyond the standard Ethernet limit of 328 feet (100m). Multiple units can be cascaded to provide up to nine IP cameras to be connected to a single network switch port over distances of up to 3,000 feet (909m).

For small systems the Vi30103's Layer 2 network capability can eliminate the need for network switches saving costs and rack space. It also can significantly decrease network switch costs by increasing the port capacity of the switch. As a mini network switch, the Vi30103 avoids the potentials for transmission collisions by complying with IEEE standards. It is an easy and quick solution to add an extra camera without requiring to have a new home-run cable.

The Vi30103 can be powered by a 60W PoE source or a local power supply. Additional power up to 60W can be inserted at any point along the cable run where power outlets are available and provide the ability to power IP cameras up to 30W per port.

Important Safety Warning

- Read these instructions.
- Keep these instructions.
- Heed all warnings.
- Follow all instructions.
- Do not use this apparatus near water.
- Clean only with a dry cloth.
- Install in accordance with the manufacturer's instructions.
- This installation should be made by a qualified service person and should conform to all local codes.
- DO NOT bundle UTP or Coax signals in the same conduit as high-voltage wiring.
- To reduce the risk of fire or electrical shock, do not expose these products to rain, moisture, dripping or splashing.
- No objects filled with liquids, such as vases, shall be placed on Vigitron equipment.
- DO NOT install the unit in a place where the operating ambient temperature exceeds 60°C.
- Make sure that the external power supply output voltage is in the recommended range.
- Do not install near any heat sources such as radiators, heat registers, stoves or other apparatus that produce heat.
- Protect the power cord from being walked on or pinched particularly at plugs, convenience receptacles, and the point where they exit from the apparatus.
- Only use attachments/accessories specified by the manufacturer.
- Unplug this apparatus during lightning storms or when unused for long periods of time.
- Refer all servicing to qualified service personnel. Servicing is required when the apparatus has been damaged in any way, such as a power supply cord or plug is damaged, liquid has been spilled, or objects have fallen into the apparatus, the apparatus has been exposed to rain or moisture, does not operate normally, or has been dropped.
- The power plug and the PoE input cable are used as the disconnect device and shall remain readily



WARNING! - To reduce the risk of fire or electric shock, do not expose this apparatus to rain or moisture. This apparatus shall not be exposed to dripping or splashing and no objects filled with liquids, such as vases shall be placed on the apparatus.

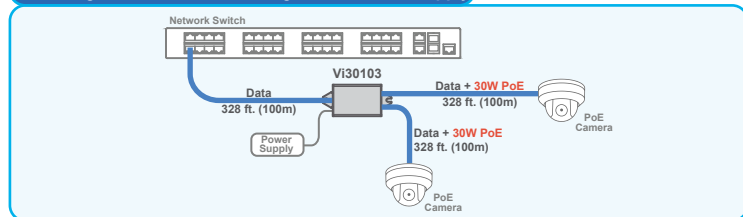
WARNING! - This apparatus is a Class I product. This product must be connected to a mains socket outlet through an AC to DC Power supply.

WARNING! - The mains plug is used as the disconnect device and shall remain readily operable.

Application Drawings

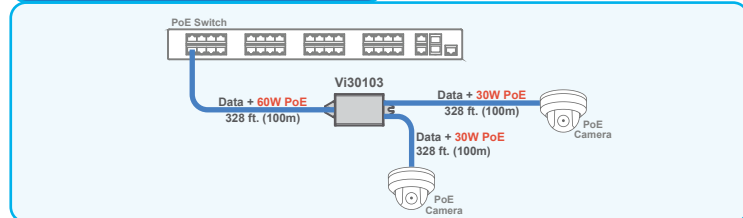
Providing PoE to 2 Cameras using a Local Power Supply

Cat 5/6



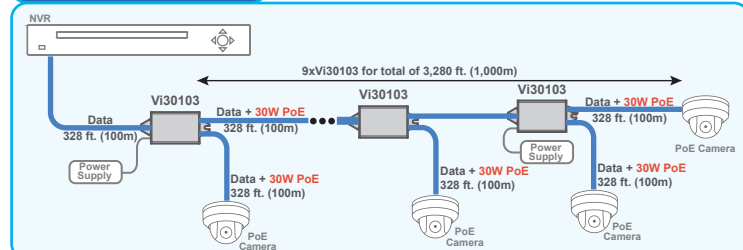
Vi30103 allows for the transmission of two cameras over a single cable run or adding a new camera close to an existing camera.

Providing PoE to 2 Cameras using input PoE



Vi30103 allows for the transmission of two cameras over a single cable run or adding a new camera close to an existing camera. The PoE Midspan provides power to the Vi30103 and both cameras.

Drop and Insert Application



A total of 9 IP addresses can be accessed on a single cable run eliminating the need for network switches.

Installation (Powered by PoE)

a) Port-1 (PoE-In) Connection:

- Connect Port 1 of Vi30103 to the PoE switch or a high power PoE source using a standard Cat5/6 cable of maximum 100m in length. This port can receive up to 60W PoE and data 10/100Mbps.

b) Port-2 & 3 (PoE-Out) Connection:

Ports 2 and 3 can be used to either connect an IP camera or to port 1 of another Vi30103. Use a standard Cat5/6 cable of maximum 100m in length to connect the IP camera. Ports 2 and 3 can each provide up to 30W of PoE power when powered by an external power supply or 60W input PoE.

Installation (Powered by Local Power Supply)

a) Power Connection:

- Connect power connector to Vi1120 120W desktop power supply for using full PoE capacity of Vi30103.

b) Port-1 (PoE-In) Connection:

- Connect Port-1 of Vi30103 to the network switch using a standard Cat5/6 cable of maximum 100m in length.

c) Ports-2 & 3 (PoE-Out) Connection:

- Connect Port 2 & 3 of a Vi30103 to IP cameras or similar devices using standard Cat5/6 cables of maximum 100m in length. These ports can also be connected to Port 1 of another Vi30103. The maximum PoE power available at each port is 30W.

Technical Specifications*

Electrical

PoE Rating	Port 1 (PoE In): 60W Port 2 (PoE Out): 802.3af (15.4W), 802.3at (30W) Port 3 (PoE Out): 802.3af (15.4W), 802.3at (30W)
Network Connection	(3) RJ-45 IEC 60603-7
Wiring Support	Cat 5/5e/6
Power Consumption	1.5W
Supported Distance	328ft (100m) per link
Status LEDs (Orange)	Port 1: Vi30103 Power (Green), Link/Activity (Orange) Port 2: PoE (Green), Link/Activity (Orange) Port 3: PoE (Green), Link/Activity (Orange)
Data Rate	Auto Configuring Port 1: 10/100Base-TX Port 2: 10/100Base-TX Port 3: 10/100Base-TX
Data Interfaces and Compliances	RFC 768 UDP, RFC 2068 HTTP RFC 793 TCP, RFC 791 IP RFC 1783 TFTP, RFC 894 IP over Ethernet RFC 2544 TCP/IP Packet Transmission IEEE802.3af, 8IEEE02.3at
IEEE Compliances	802.3ab, 802.3z, 802.3af, 802.3at, 802.1p, 802.1Q, 802.1D, 802.1s, 802.3u, 802.3x, 802.3w
Service Compliance	IPv4 Type of Service (TOS) and Differentiated Services (Diff-Serv) IPv6 Traffic Class
VLAN Support	4,096 Addresses

Regulatory

Safety	CE
Environmental	RoHS, WEEE

Mechanical

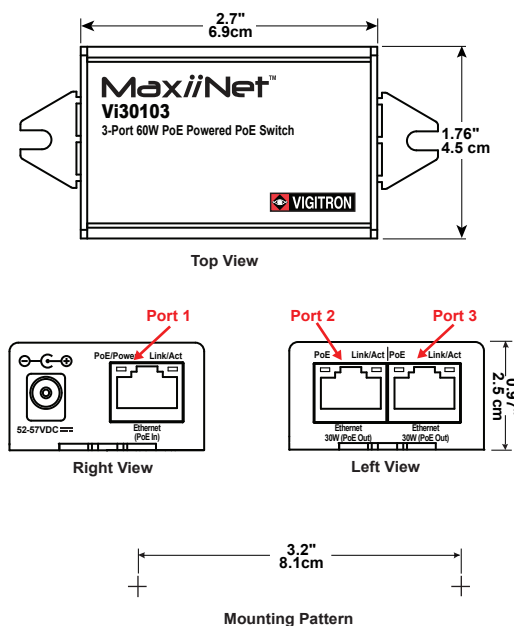
Dimensions	0.97x1.76x2.7 in., 2.5x4.5x6.9 cm (HxWxL)
Weight	0.19 lb, 86 g
Material	Extruded Aluminum

Environmental

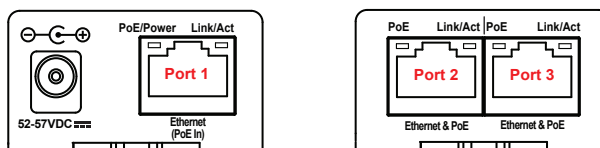
Humidity	0 to 95%, non-condensing
Temperature	Operating: -20°C to +60°C Storage: -40°C to +85°C

*Specifications subject to change without notice.

Drawings



Status LEDs



	LED	Color	Statu	Function
Ports 1	Power	GREEN	OFF	The Vi30103 is off
			ON	The Vi30103 is on
	Link/Act	YELLOW	OFF	No Link
Ports 2,3	PoE	GREEN	OFF	PoE is OFF
			ON	PoE is ON
	Link/Act	YELLOW	OFF	No Link
			ON	10/100Link, Flashes with Activity

Ordering Information

Ordering Information

PART No.	Description
Vi30103	Drop & Insert 10/100Mbps 3-Port 60W PoE Switch

Related Products

PART No.	Description
Vi3103	Drop & Insert 10/100Mbps 3-Port 30W PoE Switch

Limited Lifetime Warranty

Vigatron, Inc. warrants that all Vigatron products ("Product"), if used in accordance with these instructions, will be free of defects in material and workmanship for lifetime defined as the duration period of time until product end of life is announcement. After which Vigatron will continue to provide warranty services for a period of 3 years. Period covering valid warranty will be determined by proof of purchase in the form of an invoice from an authorized Vigatron dealer.

Warranty will only be provided for as long as the original end user purchaser owns the product. Warranty is not transferrable. At Vigatron's option, defective product will be repaired, replaced or substituted with a product of equal value. This warranty does not apply if, in the judgment of Vigatron, Inc., the Product fails due to damage from shipment, handling, storage, accident, abuse or misuse, or if it has been used or maintained not conforming to Product manual instructions, has been modified, or serial number removed or defaced. Repair by anyone other than Vigatron, Inc. or an approved agent will void this warranty. Vigatron, Inc. shall not under any circumstances be liable to any person for any incidental, indirect or consequential damages, including damages resulting from use or malfunction of the product, loss of profits or revenues or costs of replacement goods. The maximum liability of Vigatron, Inc. under this warranty is limited to the original purchase price of the Product only.