

# Vi3103

## L2 Drop and Insert 30W PoE 3-Port Switch

### Features

- Provides an easy way to add a second IP camera without requiring a new cable
- Provides for multiple camera connections on a single cable run
- Each unit extends IP Video and PoE for an extra 328 ft. (100m)
- Can be cascaded to transmit IP Video and PoE up to 3,000 ft. (909m)
- Can be powered by PoE or a local power source
- Automatically senses input data rate
- Provides third port for drop and insert along a single cable run
- Provides full IEEE Network layer 2 switching to avoid transmission conflicts
- No network configuration required
- Provides access up to 9 IP addresses eliminating the need for network switches in small systems
- Eliminates the need for multiple cable runs for perimeter and parking lot applications
- Hardened with wide range operating temperature of -40°C to +75°C
- Metal housing and compact size



### Applications

- Data and PoE transmission of multiple cameras on a single cable run
- Parking lots, office building and perimeter fence applications,
- Continuous cable run for multiple cameras reducing the number of home-run cables
- Expanding port count of an existing installed network switch for adding a new camera



The Vi3103 is a 3-port Layer 2 Ethernet and PoE switch that provides drop and insert capability for connecting several IP devices along a single cable run. The Vi3103 provides a cost effective method for increasing distances beyond the standard Ethernet limit of 328 feet (100m). Multiple units can be cascaded to provide up to nine IP cameras to be connected to a single network switch port over distances of up to 3,000 feet (909m).

For small systems, the Vi3103's Layer 2 network capability can eliminate the need for network switches and save costs and rack space. It also can significantly decrease network switch costs by increasing the port capacity of the switch. As a mini network switch, the Vi3103 avoids the potentials for transmission collisions by complying with IEEE standards. It is an easy and quick solution to add an extra camera without requiring to have a new home-run cable.

The Vi3103 can be powered by PoE or a local power source. Additional power up to 30W can be added at any point along the cable run where power outlets are available and provide the ability to power IP cameras up to 30W.

# Technical Specification\*

## Electrical

PoE Rating	Port 1 (PoE In): up to 30W Port 2 & 3 (PoE Out): up to 30W
Network Connection	(3) RJ-45 IEC 60603-7
Bandwidth	10/100Mbps
Wiring Support	Cat 5/5e/6
Power Consumption	1.5W
Supported Distance	328ft (100m) per link
Status LEDs	Port 1: Power (Green), Link/Activity (Orange) Port 2: PoE (Green), Link/Activity (Orange) Port 3: PoE (Green), Link/Activity (Orange)
Data Rate	Auto Configuring, Ports 1, 2 & 3: 10/100Base-TX
Data Interfaces and Compliances	RFC 768 UDP, RFC 2068 HTTP RFC 793 TCP, RFC 791 IP RFC 1783 TFTP, RFC 894 IP over Ethernet RFC 2544 TCP/IP Packet Transmission IEEE802.3af, 8IEEE02.3at
IEEE Compliances	802.3ab, 802.3z, 802.3af, 802.3at, 802.1p, 802.1Q, 802.1D, 802.1s, 802.3u, 802.3x, 802.3w
Service Compliance	IPv4 Type of Service (TOS) & Differentiated Services (Diff-Serv) IPv6 Traffic Class

## Regulatory

Safety	CE
Environmental	RoHS, WEEE

## Environmental

Humidity	0 to 95%, non-condensing
Temperature	Operating: -10°C to +75°C per NEMA-TS2 testing Storage: -40°C to +85°C

## Mechanical

Dimensions	0.97x1.76x2.12 in., 2.5x4.5x5.4 cm (HxWxL)
Weight	0.15 lb, 69 g
Material	Extruded Aluminum

\*Specifications subject to change without notice.

## Ordering Information

Part No.	Description
<b>Vi3103</b>	Drop & Insert 10/100Mbps 3-Port 30W PoE Switch

## Related Products

Part No.	Description
<b>Vi30103</b>	Drop & Insert 10/100Mbps 3-Port 60W PoE Switch

## PoE vs. Distance

PoE	Distance	# of Vi3103
24W	650 ft. (198m)	1
20W	950 ft. (290m)	2
16W	1,200 ft. (365m)	3
8W	1,400 ft. (427m)	4

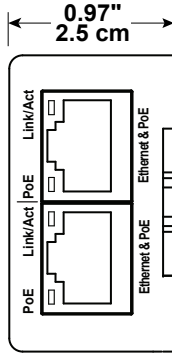


TEL (+1) 858-484-5209 • FAX (+1) 858-484-1205

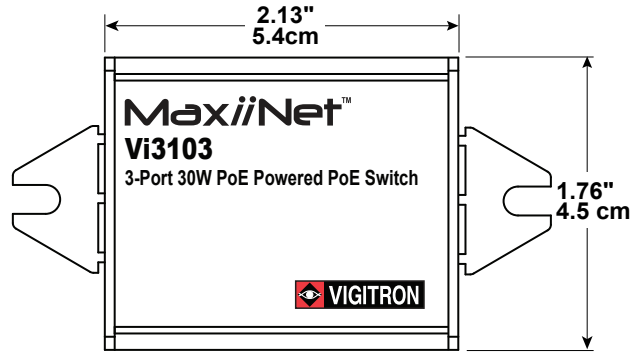
7810 Trade Street, Suite 100, San Diego, CA 92121, USA • support@vigitron.com • www.vigitron.com

© Copyright 2022 Vigitron, Inc.

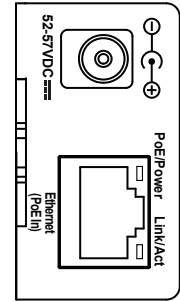
# Mechanical Drawings



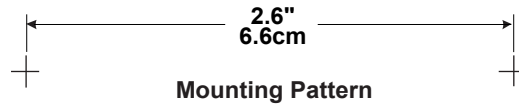
Right View



Top View



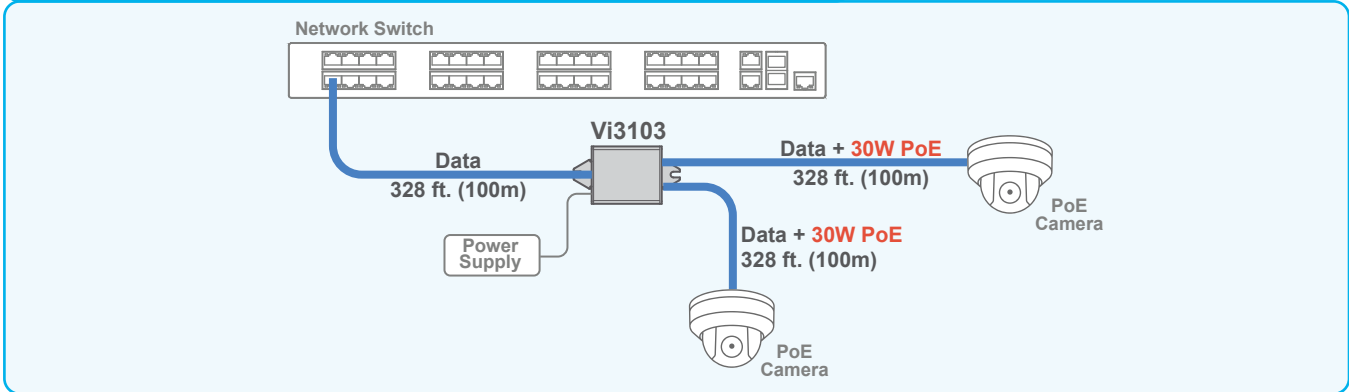
Left View



# Application Drawings

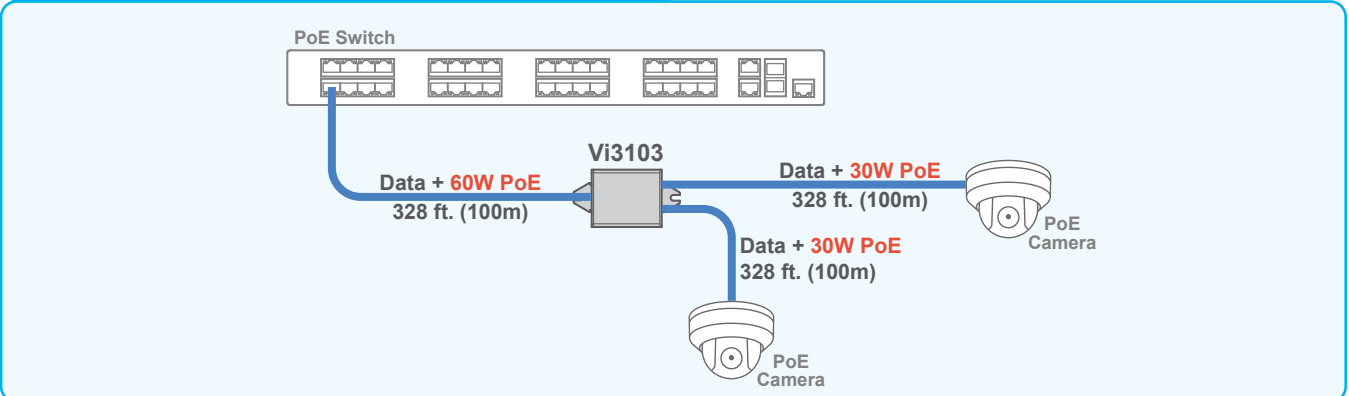
Cat 5/6

## Providing PoE to 2 Cameras using a Local Power Supply



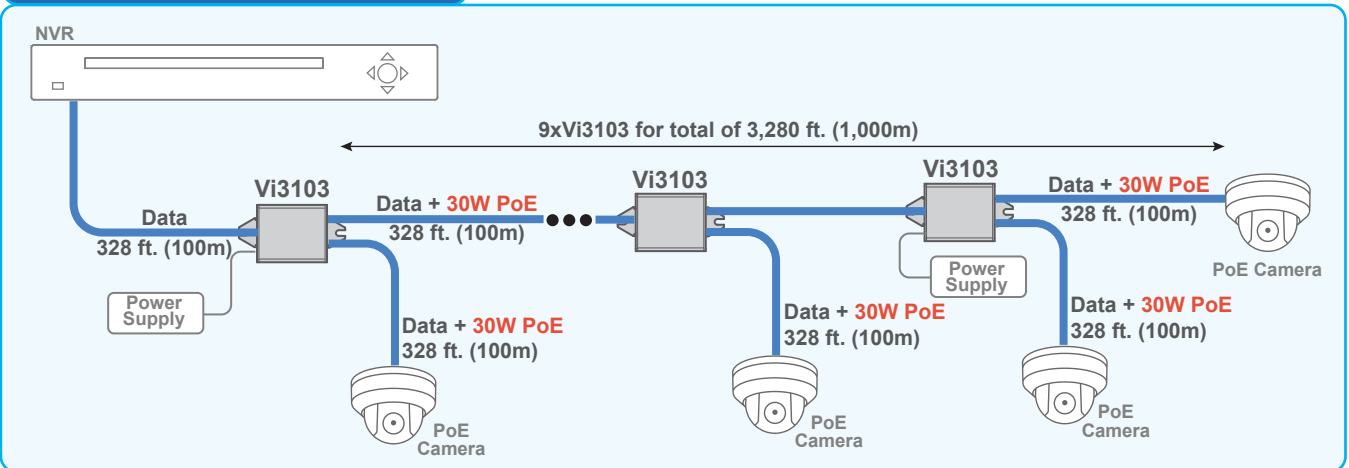
Vi3103 allows for the transmission of two cameras over a single cable run or adding a new camera close to an existing camera.

## Providing PoE to 2 Cameras using input PoE



Vi3103 allows for the transmission of two cameras over a single cable run or adding a new camera close to an existing camera. The PoE Midspan provides power to the Vi3103 and both cameras.

## Drop and Insert Application



A total of 9 IP addresses can be accessed on a single cable run eliminating the need for network switches.