

Vi3205

5-port PoE Powered PoE Switch w/ Coax Uplink

Features

- 4-port fixed managed layer 2 PoE switch
- Extended distance Coax uplink
- Transmits up to four cameras on a single coax
- The switch itself can be powered from a remote PoE source for up to 3,000 ft. when output PoE is not required
- Provides up to 36W PoE power per port
- Intelligent power sensing automatically allocates port power based on the number of connected ports and individual camera power requirements
- Automatic PoE port priority allocation
- Over current shut down protection if allocated PoE budget is exceeded
- Type tested to RFC 2544 TCP/IP network bandwidth packet transmission standards
- Hardened tested for -30°C to +75°C operating temperature range
- Complies with major IEEE standards and RFC network protocols for UTP, TCP/IP, HTTP/HTTPS
- Provides full Layer 2 network switch functionality



Applications

- Upgrading analog CCTV installations into digital systems without needing to remove existing coax
- Expanding networks in industrial environment
- CCTV system for casinos, airports, school campuses, and many more

Vigitrone's MaxiiNet™ Vi3205 fixed managed 5-port PoE switch brings new performance standards to the growing need for high speed transmission of high speed Ethernet and PoE. The Vi3205 is powered by Vi1120 120W power supply and can provide up to 37W to each of its 4 standard Ethernet ports.

The Vi3205's uplink can operate on coax at extended distances up to 3,000 feet. When using Coax uplink it can receive PoE power from the headend to power itself eliminating the need for a local power source.

With an operating temperature range of -30°C to 75°C, the Vi3205 is the perfect solution for data and power transmission for applications such as warehouses, parking lots, campuses, casinos. The Vi3205 is MegaPixel Certified (MPC™), type tested to network packet performance standards to assure you an error free and quality operation. Fixed managed L2 functions includes 802.1p QoS, support of 2k MAC addressing, learning, aging, and a non-blocking switch fabric.

The built-in PSE provides 802.3af/at up to 36W per port while providing all safety features of standard PoE. Installation cost savings, proven performance, and major camera manufacturer compatibility all go into making Vigitrone's MaxiiNet™ Vi3205 an ideal solution for IP video and PoE transmission.

Technical Specification*

Electrical

Ethernet Interface	Standard 10/100BaseT
UTP	100 Ohm +/- 20%, 328 ft. (100m) for 10/100Mbps
Coax Uplink	75 Ohm RG59 or better
Power Source	PoE: IEEE 802.3af (15.4W), IEEE 802.3at (30W) Optional Power Supply: Vi1120, 120W 57V
Status LEDs	Power: Power On Standard Ethernet: Traffic, Link PoE: PoE Present
Connectors	Ethernet Interface: 4 x RG59u Coax Connector Power: Circular power connector Extended Ethernet Interface: RJ45 Connector
RFC	2544 TCP/IP Packet Transmission 768 UDP, 2068 HTTP, 793 TCP 791 IP, 1783 TFTP, 894 IP over Ethernet
PoE Compatibility	IEEE 802.3af, IEEE 802.3at, 60W High Power PoE

Regulatory

Safety	CE
Environmental	RoHS, WEEE
Emissions	EN5502:2006+A1:2007 EN 61000-3-2:2006+A1:2009+A2:2009 EN 55024: 1998+A1:2001+A2:2003

Environmental

Humidity	0 to 95%, non-condensing
Temperature	Operating: -30°C to +75°C Storage: -40°C to +85°C

Mechanical

Dimensions	1.2x3.75x4.97 in., 3.0x9.5x12.6 cm (HxWxL)
Weight	0.64 lb (290 g)
Housing	Aluminum

Optional Accessories

Vi1120:	57VDC, 120W Power Supply
Vi0017:	48VDC, 40W Power Supply
Vi0012:	12VDC, 12W Power Supply for non-PoE Applications
Vi00016:	Combiner Cable for 60W High Power PoE (up to 72W)

*Specifications subject to change without notice.

Ordering Information

Part No. Description

Vi3205	5-Port Layer 2 PoE Switch
---------------	---------------------------

Related Products

Part No. Description

Vi2400A	1-Port Mini Coax Ethernet Extender
Vi2401A	1-Port Coax Ethernet Extender
Vi2404A	4-Port Coax Ethernet Extender
Vi2408A	8-Port Coax Ethernet Extender
Vi2416A	16-Port Coax Ethernet Extender
Vi0017	40W 48VDC Power Supply
Vi0012	12W, 12VDC Power Supply for non-PoE Applications
Vi1120	120W 57V Power Supply

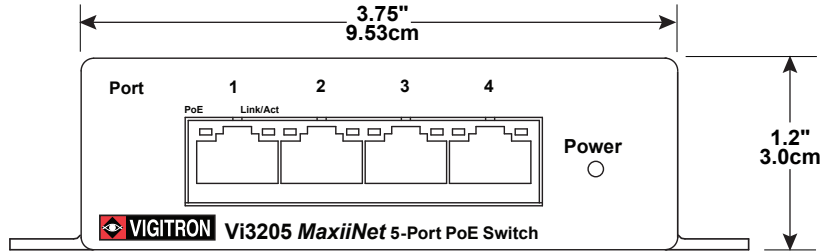


TEL (+1) 858-484-5209 • FAX (+1) 858-484-1205

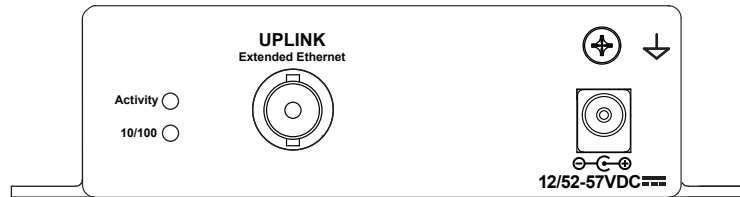
7810 Trade Street, Suite 100, San Diego, CA 92121, USA • support@vigatron.com • www.vigatron.com

© Copyright 2022 Vigatron, Inc.

Mechanical Drawings



Front View

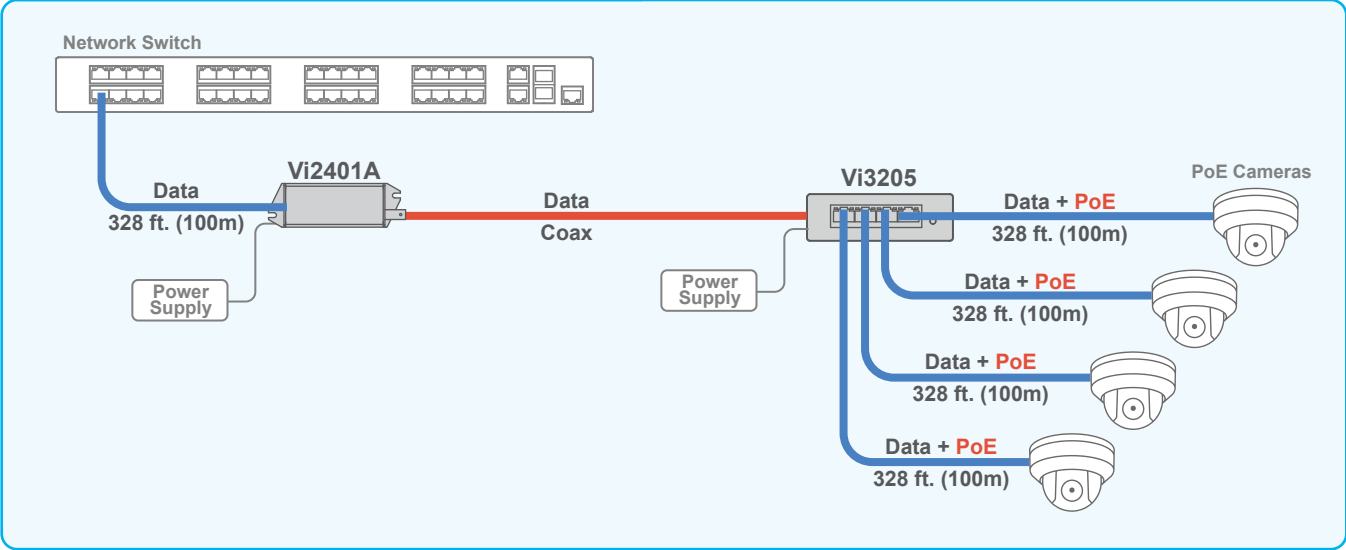


Rear View

Application Drawings

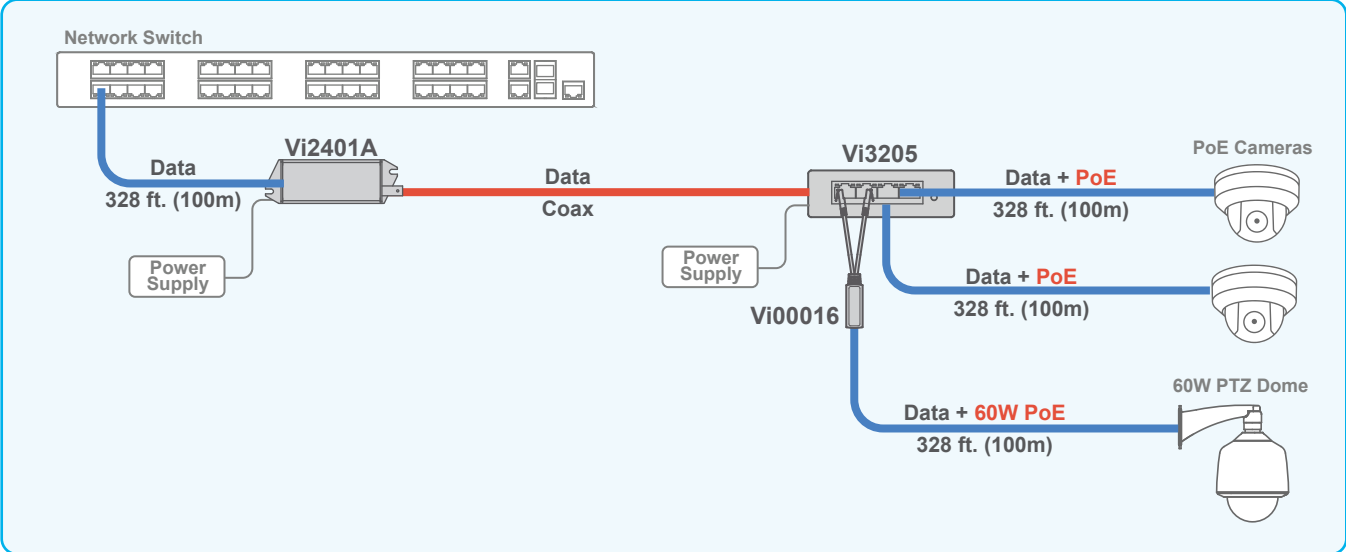


Connecting Cameras over Extended UTP



The Vi3205 can receive data over Coax up to 3,000 ft. at 100Mbps. and power up to 4 cameras using a local power supply.

Connecting Cameras over Extended UTP

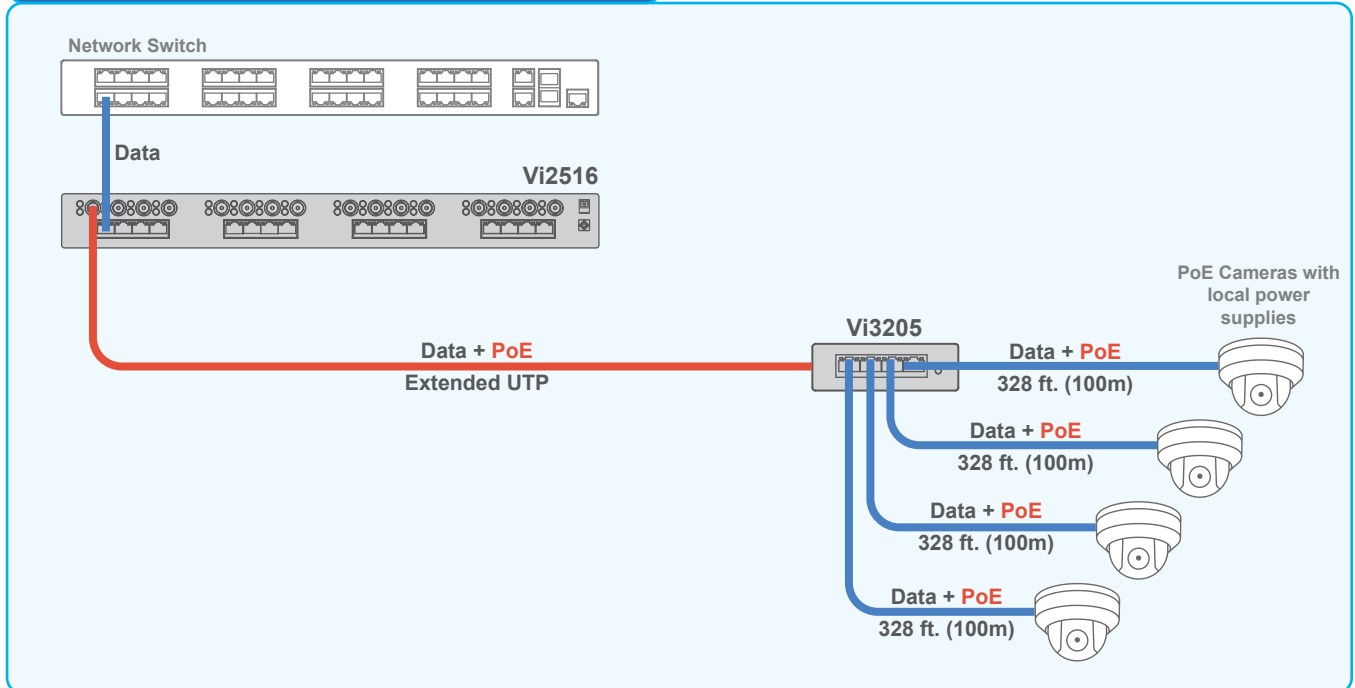


The Vi3205 can receive data over extended distance Coax up to 3,000 ft. at 100Mbps and power 60W PoE cameras using the Vi00016 combiner cable and a local power supply.

Application Drawings



Connecting Cameras over Extended UTP



The Vi3205 can receive data and PoE power for powering itself over extended distance Coax up to 3,000 ft. at 100Mbps. The cameras use local power supplies.