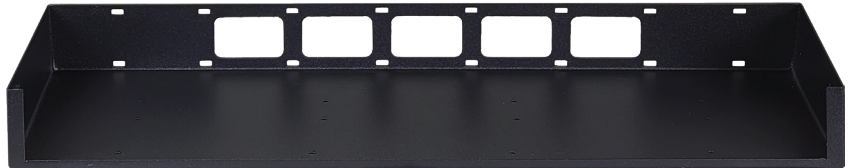

Vi5000R

Rack Mount for Vigitron 4-port Transmission Devices

Features

- Vi5000R fits in EIA 19" standard equipment racks
- Holds up to Vi50004 4-port Fiber Media Converters
- Vi5000B is used to fill in blank spaces



Applications

- Multi-port control site Fiber Media Converter applications
- Organizing and rack mounting 4-port Vigitron transmission devices

The Vi5000R provides an easy way to rack mount up to four 4-port Vigitron transmission devices. The Vi5000B can be used to cover empty spaces of Vi5000R.

Technical Specification*

Regulatory

Safety	CE
Environmental	RoHS, WEEE

Mechanical

Dimensions	Vi5000R: 1.7 x 7 x 17 in., 4.25 x 17.7 x 43cm (HxWxL)
Weight	Vi5000R: 2.7 lbs
Material	Sheet Metal
Color	Black

*Specifications subject to change without notice.

Ordering Information

Part No.	Description
----------	-------------

Vi5000R	Rack Mount for 4-port transmission devices
---------	--

Related Products

Part No.	Description
----------	-------------

Vi5000B	Blank Panel For Vi5000R
---------	-------------------------

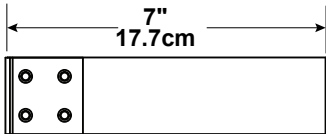


TEL (+1) 858-484-5209 • FAX (+1) 858-484-1205

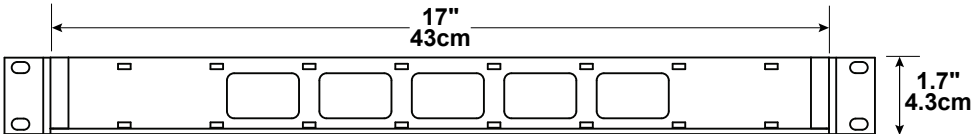
7810 Trade Street, Suite 100, San Diego, CA 92121, USA • support@vigitron.com • www.vigitron.com

© Copyright 2020 Vigitron, Inc.

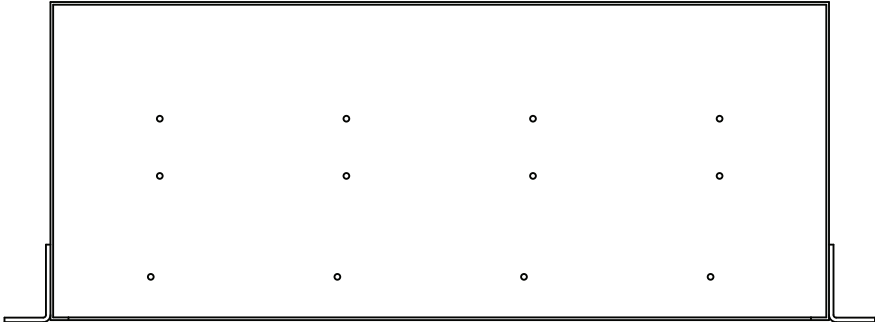
Mechanical Drawings



Right View



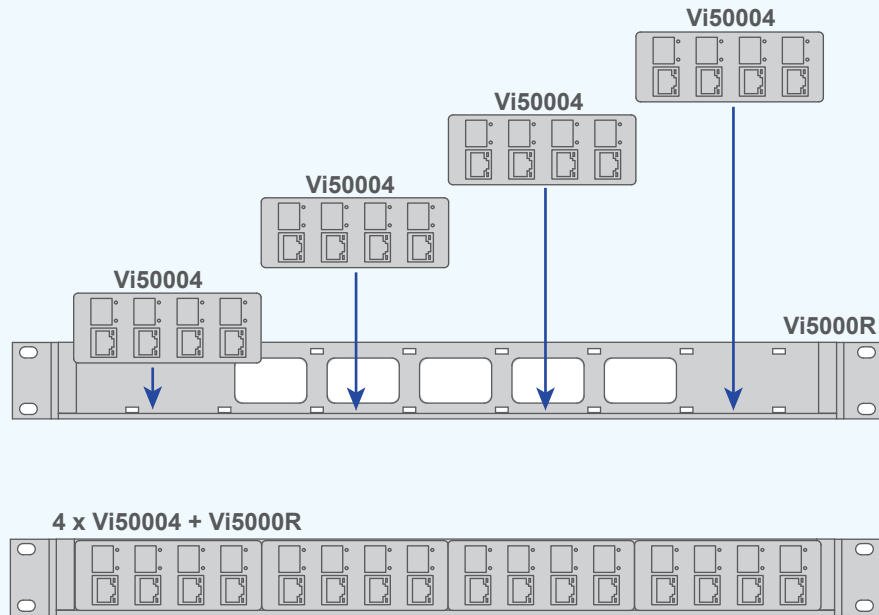
Front View



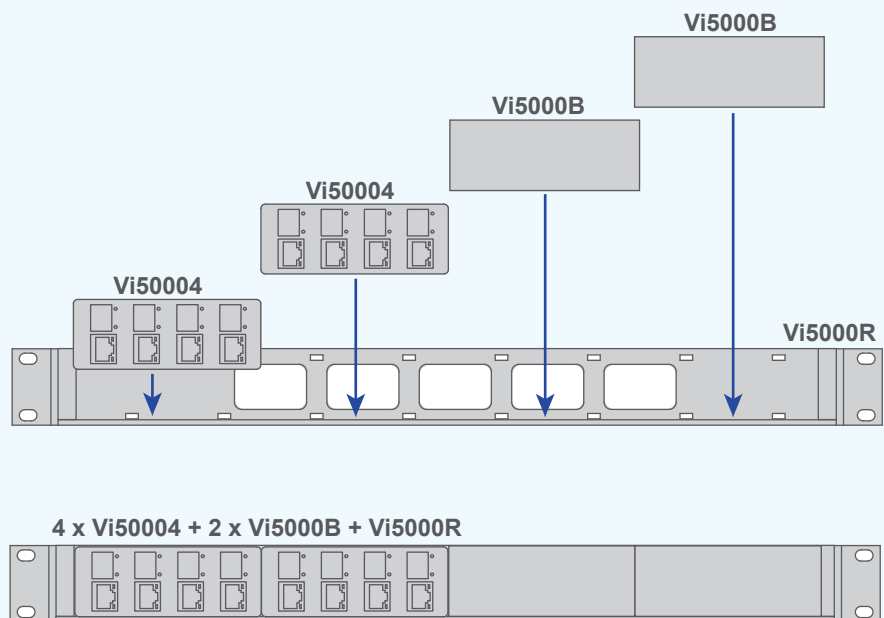
Top View

Application Drawings

Rack mount four 4-port Vigitron transmission devices



Rack mount four 4-port Vigitron transmission devices



The Vi5000R provides an easy way to rack mount up to four 4-port Vigitron transmission devices. The Vi5000B can be used to cover empty spaces of Vi5000R.



TEL (+1) 858-484-5209 • FAX (+1) 858-484-1205

7810 Trade Street, Suite 100, San Diego, CA 92121, USA • support@vigitron.com • www.vigitron.com

© Copyright 2022 Vigitron, Inc.