

Vi1004

4-Channel Passive UTP Video Receiver Hub

Features

- Quality video over 1,000 ft (305 m)* of unshielded twisted pair wires (UTP)
- NTSC, PAL and SECAM video formats
- Compatible with qualified cameras with built-in UTP transmitter
- 60 dB cross talk and noise immunity
- No power required
- Built-in differential and common surge protection
- Detachable terminal blocks and RJ-45 connector for UTP
- 1U high rack mountable with a Vi0010 panel
- Limited lifetime warranty



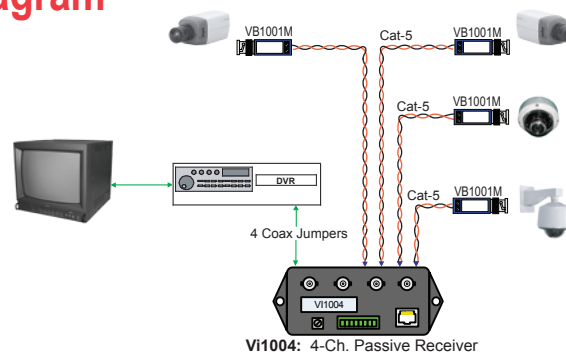
Applications

- Security and surveillance
- Department store security
- Casino security
- Hospitals and airports
- School campuses

The Vigitrone Vi1004 is a passive transceiver hub that transmits or receives video signals over unshielded twisted pair (UTP) wires, point-to-point, for distances up to 1,000 ft (305 m)*. It is used with Vigitrone Passive Transceivers such as VB1001M to support "up-the-coax" PTZ signals. This hub uses category 2-7 twisted pair wires, is easy to install, cost effective, and does not require power.

It has built-in surge suppression to protect video equipment against damaging voltage spikes and provides noise immunity to ensure quality images. The Vi1004 offers quality video in a highly integrated and cost effective package. It is ideal for a wide variety of security and surveillance applications that require high density CCTV systems.

Application Diagram



The smart choice for quality video



www.vigitrone.com

DSVi1004_0212

Technical Specification**

Electrical

| | |
|--------------------|--|
| Video Format | NTSC, PAL, SECAM |
| Frequency | DC to 10 MHz |
| Coax | 75 Ohm |
| Twisted Pair | 100 Ohms +/- 20%, 24 AWG minimum up to 1,000 ft. (305 m)* unshielded Category 2-7 |
| CMRR | 60 dB |
| Insertion Loss | 0.3 dB |
| Power | No power required |
| Connectors | UTP video inputs: Detachable terminal blocks and RJ-45 connector Video outputs: BNC connectors |
| Transient Immunity | per ANSI 587 C62.41 |

Environmental

| | |
|-------------|--|
| Humidity | 0 to 95%, non-condensing |
| Temperature | Operating: -10°C to +50°C Storage: -30°C to +70°C |

Mechanical

| | |
|------------|--|
| Dimensions | 1.73x4.5x1 in, 4.4x11.5x2.5 cm (HxWxL) |
| Weight | 0.2 lb, 90 g |
| Material | Black ABS plastic, UL rating of 94V-0 |

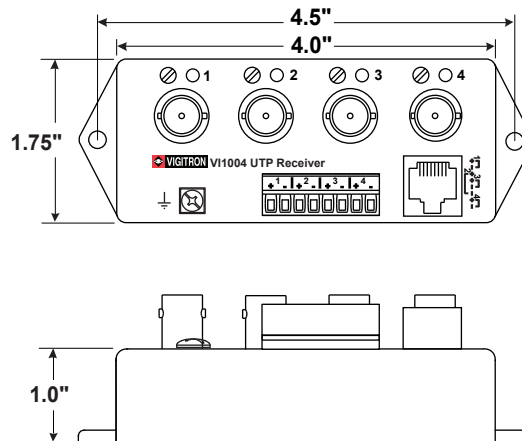
*It is recommended not to exceed 750 ft. (228 m) when using with digital equipment.
**Specifications subject to change without notice.

Ordering Information

| PART No. | Description |
|----------|---------------------------|
| Vi1004 | 4-Ch Passive Receiver hub |

System Configuration

| Passive Transceivers | |
|----------------------|---|
| Channels | Model |
| 1 | VB1001F/M VB1007M Vi1001F/M/P Vi1003M Vi1006M |
| 4 | Vi1004 |
| 8 | Vi1008 |
| 16 | Vi1016 |
| 32 | Vi1032 |



Wire and Cable Recommendations

The Vigitron products are designed to be used with unshielded twisted pair (UTP) wiring. The UTP wire must be 24AWG - 12AWG or category 2-7 cable. Multi pair cable with an overall shield is acceptable, however individually shielded pairs should be avoided. Multiple UTP video feeds can be operated in the same communication cable along with telephone, computer, control signals and low power voltages. While UTP video may be routed through punch-down block terminals, any resistive, capacitive or inductive devices (such as T-taps or MOV's) must not be used. Please contact Vigitron for more specific information regarding wire types and proper installation techniques.



TEL (+1) 858-484-5209 • FAX (+1) 858-484-1205
7810 Trade Street, Suite 100, San Diego, CA 92121, USA • support@vigitron.com • www.vigitron.com