

# Vi3004LV

## 4-Port Layer 2 PoE Switch

### Features

- 4-port layer 2 network switch media converter
- 2-port fiber to 2-port Ethernet copper
- Uses existing 24VDC/AC to provide up to 60W for power PTZ domes with heaters and blowers
- Up to 60W PoE for copper ports
- Provides MSA compliant SFP fiber output port for integration to existing fiber infrastructures and extreme long distance up to 80Km
- Jumbo Frame supports packet transmission to 10K bytes
- Intelligent power sensing automatically allocates port power based on the number of connected ports and individual camera power requirements
- Automatic PoE port priority allocation
- Over current shutdown protection if allocated PoE budget is exceeded
- Certified (MPC™) high data rate for virtual loss free transmission of cameras
- Type tested to RFC 2544 TCP/IP network bandwidth packet transmission standards
- Type tested for -30°C to +70°C operating temperature range



### Applications

- Cost effectively expanding networks by mixing fiber and copper wire runs
- CCTV system for casinos, airports, school campuses, and many more

Vigitrone's MaxiiNet™ Vi3004LV provides solutions for upgrading existing analog systems to digital fiber, converting or adding Ethernet UTP cabling to existing fiber runs. With full layer 2 network switching, up to 60W PoE and 1G bandwidth, the Vi3004LV is a cost effective and reliable solution for any security application.

The Vi3004LV is a 4-port layer 2 network switch and fiber to copper media convertor design for multiple applications and providing significant installation cost reduction. Powered by either 24VDC/24VAC, the Vi3004LV can be used in most existing CCTV applications without the need of replacing existing power supplies especially for parking lot and perimeter applications. It offers unique ability to install or upgrade any combination of single transmission lines with fiber, copper, or both. It can connect individual drops of fiber, copper or both along while providing PoE up to 60W.

The Vi3004LV is MegaPixel Certified (MPC™), type tested to network packet performance standards, and major manufacturer compatibility tested to assure error free, quality operations with the highest megapixel cameras. Fixed managed L2 functions include 802.1p Qos, support of 2k MAC addressing, learning, aging, and a non-blocking switch fabric making the Vi3004LV the perfect solution for connecting multiple network switches over fiber, copper, or both. Installation cost savings, proven performance, and major camera manufacturer compatibility all go into making Vigitrone's MaxiiNet™ Vi3004LV an ideal solution for long distance data and power transmission.

# Technical Specification\*

## Electrical

Data Interface	Fiber MSA Ports: 1000Mbps Fixed Copper Ports: 10/100/1000Mbps Auto sensing
Power Source	24VDC/24VAC, 6 A Max.
Status LEDs	Power: Green Fiber Ports: Yellow, Link/Activity Copper Ports: Yellow, Link/Activity Green, PoE
Connectors	Fiber (x2): MSA compliant SFP socket Ethernet (x2): RJ45 connector Power: 2 Wire Terminal Strip
PoE Standards	IEEE 802.3af IEEE 802.3at 60W compliant to 802.3 PoE standards for Port 4
Network Switch	Layer 2
PoE Standards	Port 3: Up to 30W Port 4: up to 60W
Jumbo Frames	10,000 Bytes

## Regulatory

RFC	2544 TCP/IP Packet Transmission 768 UDP, 2068 HTTP, 793 TCP 791 IP, 1783 TFTP, 894 IP over Ethernet
Emission	EN 5502:2006+A1:2007 EN 61000-3-2:2006+A1:2009_A2:2009 EN 50024:1998+A1:2001+A2:2003
Safety	CE
Environmental	RoHS, WEEE

## Environmental

Humidity	0 to 95%, non-condensing
Temperature	Operating: -30°C to +70°C Storage: -30°C to +85°C

## Mechanical

Dimensions	1.9 x 3.45 x 5.6 in., 4.83 x 8.76 x 14.22 cm (HxWxL)
Weight	0.99lb (450g)
Housing	Aluminum

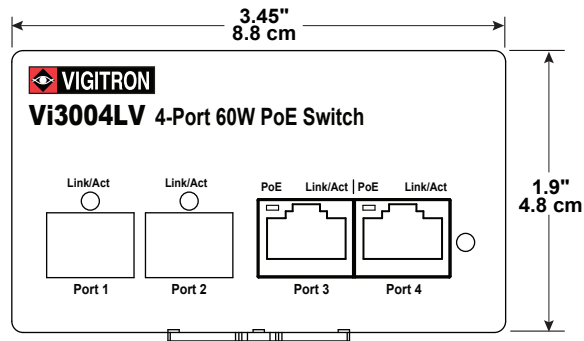
\*Specifications subject to change without notice.

## Ordering Information

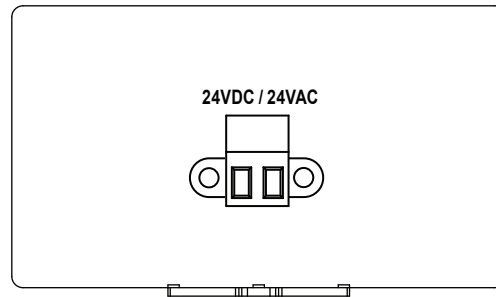
Part No.	Description
Vi3004LV	4-Port Layer 2 PoE Switch



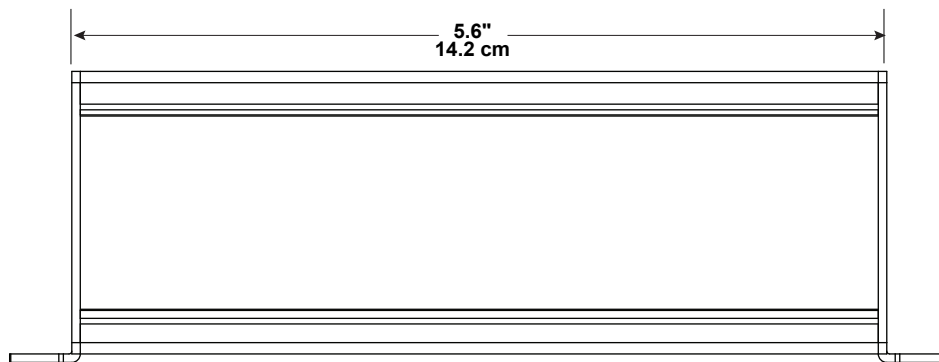
# Mechanical Drawings



Front View



Rear View

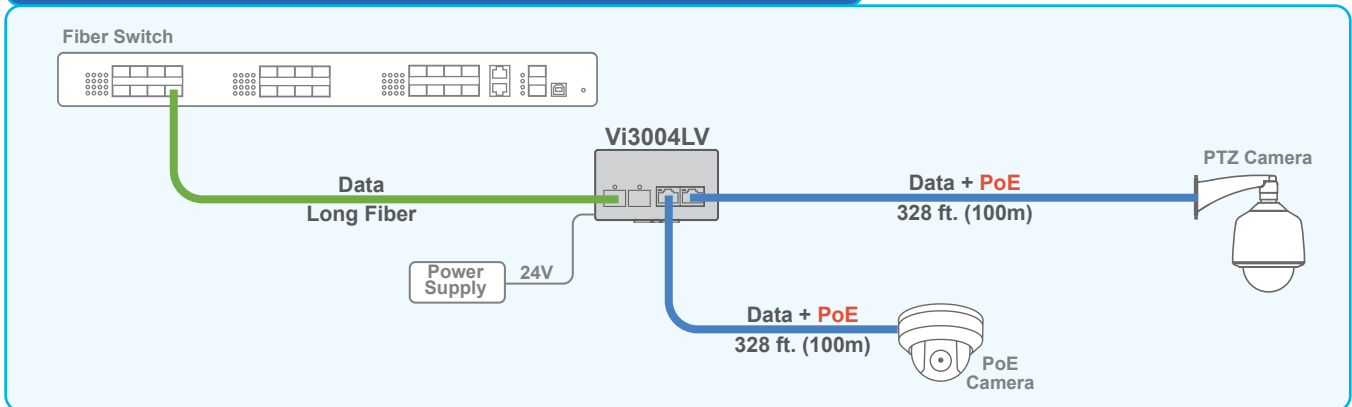


Side View

# Application Drawings

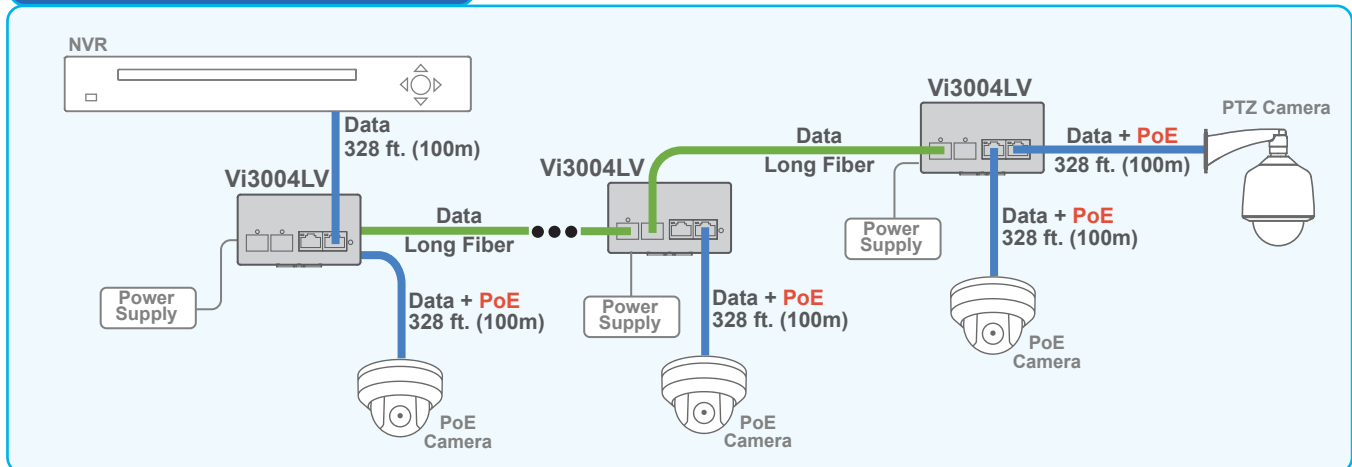
— Cat 5/6  
— Fiber Optics

## Providing PoE to 2 Cameras at long distances over Fiber



*Vi3004LV allows for the transmission of two cameras over a single Fiber cable or adding a new camera close to an existing camera.*

## Drop and Insert Application



*Multiple Vi3004LVs can be cascaded over a single cable run eliminating the need for network switches.*