

Vi3602

Hardend Ethernet 1G 30W PoE Repeater

Features

- Extends 1G Ethernet and PoE an extra 328ft (100m) per unit
- PoE powered with no need for local power
- No network configuration required
- Built-in network switch technology for reliable transmission
- Full network bandwidth 100/1000Mbps for transmitting the highest megapixel cameras and extending network switch to switch communications
- PoE power up to 30W for high power PTZ without the need for local power
- Compact size enables easy installation
- Multiple Vi3602s can be used to extend IP video and PoE at distances up to 1,640ft. (500m)
- Operating temperature range -40°C to +75°C



Applications

- Extends network switch backbones for distances greater than 328 ft. (100m)
- Prevents packet and bandwidth loss for transmitting high megapixel cameras
- Provides highest bandwidth transmission for multi-image cameras
- Provides a convenient and cost effective method to transmit and power multiple cameras over a single cable when combined with Vigitron's 1G high powered hardware switches with Pass-Through-PoE
- Cost effective solution for parking lots, garages, perimeter fences and building-to-building communications, and PoE transmission

The Vi3602 is a 1G Ethernet and 30W PoE repeater that provides a cost effective method for increasing distances beyond the Ethernet limit of 328 feet (100m) for IT or CCTV installations at network speeds up to 1000Mbps. Each unit can extend Ethernet and PoE for 328 feet (100m). Multiple units can be cascaded to reach the desired distances. The Vi3602 is a high performance device that meets the demands for the highest PoE powered PTZ domes and LED lighting eliminating the need for local power or providing the ability to add PoE power.

Removable mounting brackets make installation an easy process. The Vi3602 is the perfect solution for any IP transmission application.

Up to 4 units can be combined to achieve a distance of 1,640 feet (500m) for IP video, PoE, and data transmission.

It is an ideal solution for extending data, video, and power from PoE switches, Midspans, Power Source Equipment (PSE) and extending communications between network switches.

Technical Specification*

Electrical

PoE Rating	Port 1 (PoE In): 30W Port 2 (PoE Out): 30W
Power Transmission Standard	802.3af (15.4W), 802.3at (30W)
Network Connection	(2) RJ-45 IEC 60603-7
Local Power Input Max.	Up to 40W @ 48V
Wiring Support	Cat 5e/6
Power Consumption	3W
Extended Distance Supported	328ft (100m) per link
LED	Power: Green 30W PoE Output: Orange Port 1 (Uplink): 1G (Green), Link/Act. (Yellow) Port 2: 1G (Green), Link/Act. (Yellow)
Data Rate	100Base-TX (1000Mbps), Auto Configuring Port 1: 10/100/1000BaseTX Port 2: 10/100/1000BaseTX
Data Interfaces and Compliances	RFC 768 UDP, RFC 2068 HTTP RFC 793 TCP, RFC 791 IP RFC 1783 TFTP, RFC 894 IP over Ethernet RFC 2544 TCP/IP Packet Transmission IEEE 802.3af, 802.3at, 802.3z
IEEE Compliances	802.3ab, 802.3z, 802.3af, 802.3at, 802.1p, 802.1Q, 802.1D, 802.1s, 802.3u, 802.3x, 802.3w
Services Compliance	IPv4 Type of Service (TOS) & Differentiated Services (Diff-Serv) IPv6 Traffic Class
VLAN Support	4,096 Addresses
Services	Up to 10,000 Bytes
Jumbo Frame	Up to 9,600 bytes

Regulatory

NEC Code	For 3, 3 ½, and 4 inch Conduit at 40% Fill
Safety	CE, FCC
Environmental	RoHS, WEEE

Environmental

Humidity	0% to 95%, non-condensing
Temperature	Operating: -40°C to 75°C Storage: -40°C to 85°C

Mechanical

Dimensions	0.97x1.76x4.12 in., 2.5x4.5x10.5 cm (HxWxL)
Weight	0.26 lb (117g)
Housing Material	Extruded Aluminum

*Specifications subject to change without notice.

Ordering Information

Part No.	Description
Vi3602	Ethernet 1G PSE 30W Repeater

Related Products

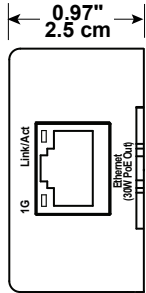
Part No.	Description
Vi3002	Ethernet and 60W PoE Repeater
Vi3002W	IP67 Weatherproof Ethernet and 60W PoE Repeater
Vi30002U	Ethernet and 90W PoE Repeater

Multiple Vi3602 can be used to extend Ethernet and PoE.
The maximum reach of PoE will be:

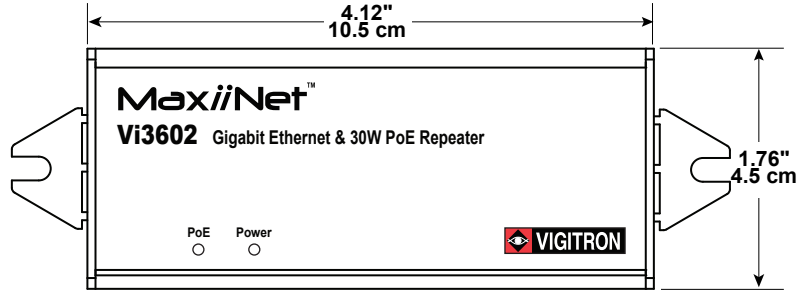
PoE	Distance	# of Vi3602
20W	850 ft. (259m)	2
16W	1,150 ft. (350m)	3
11W	1,450 ft. (442m)	4



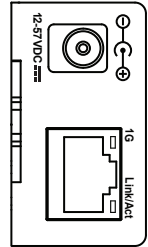
Mechanical Drawings



Left View



Top View

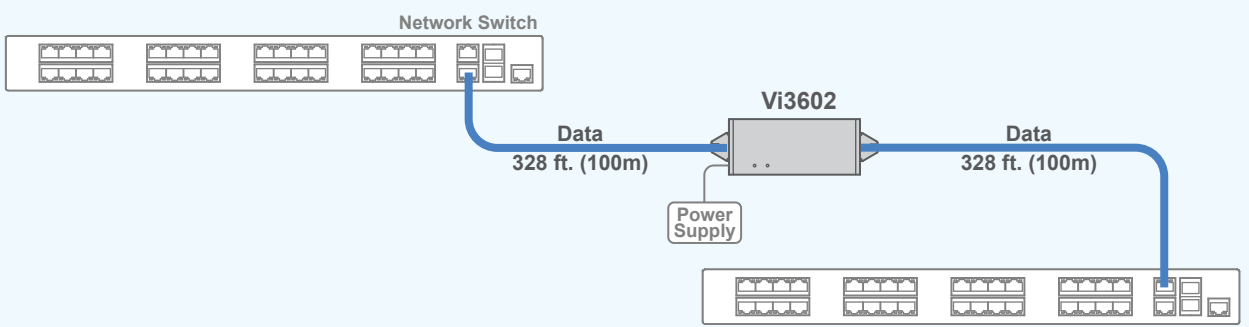


Right View

Application Diagrams

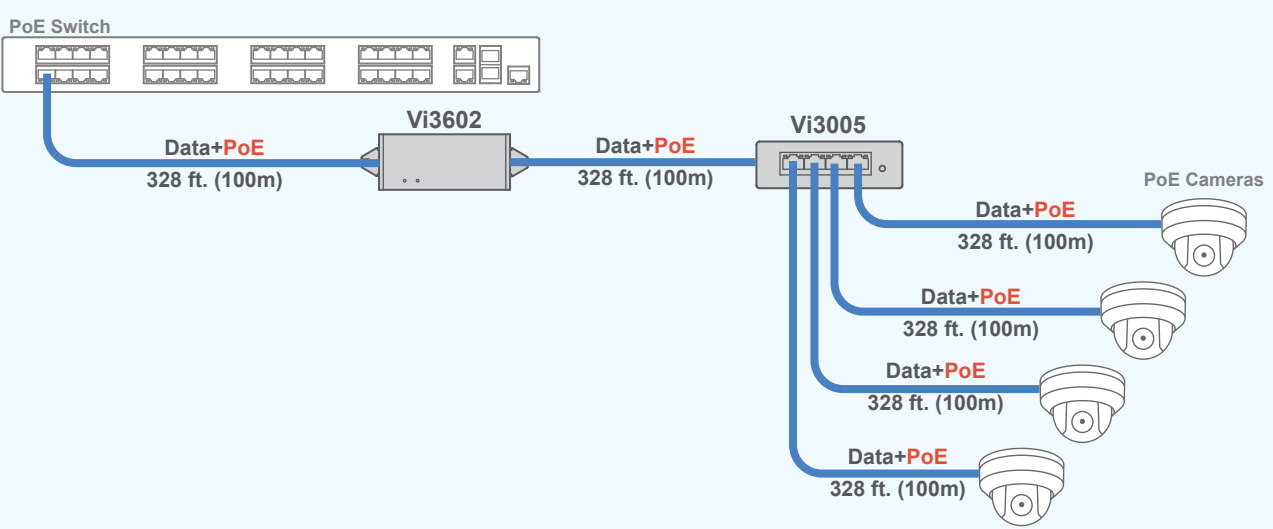
Cat 5/6

Connecting Network switches beyond 100m



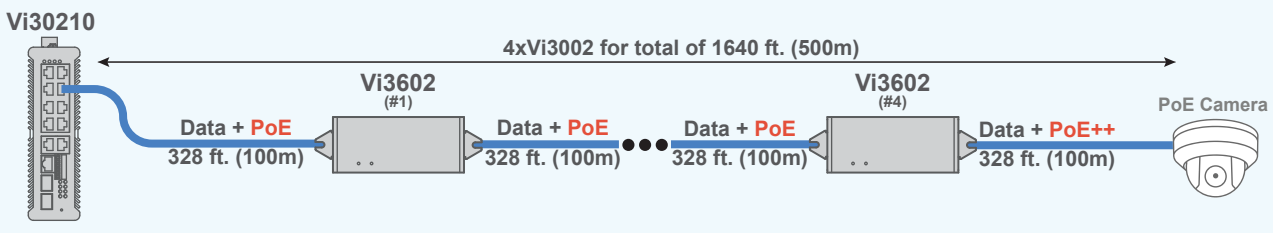
The Vi3602 can extend 1G connection of network switches beyond the 100 meters of standard Ethernet.

Connecting Multiple PoE Cameras at Extended Distances



The Vi3602 can be used to connect multiple PoE cameras at extended distances.

Extending Ethernet and PoE using multiple Vi3602s



Up to 8 x Vi3002 can be used in series to extend Ethernet and PoE for up to 2950 ft. (900m).

