

Vi6100VR

Active UTP Video Receiver

Features

- Quality video over 6,000 feet (1,830 m) of unshielded twisted pair wires (UTP)
- Integrated 2 channel video distribution amplifier
- NTSC, PAL, and SECAM video format compatible
- Female BNC and terminal blocks
- 70 dB cross talk and noise immunity
- Full ground-loop immunity and built-in surge protection
- Single distance adjustment for video
- Compatible with qualified UTP cameras
- Lever type screw-less wire connectors
- Compact size and easy installation
- Limited lifetime warranty



Applications

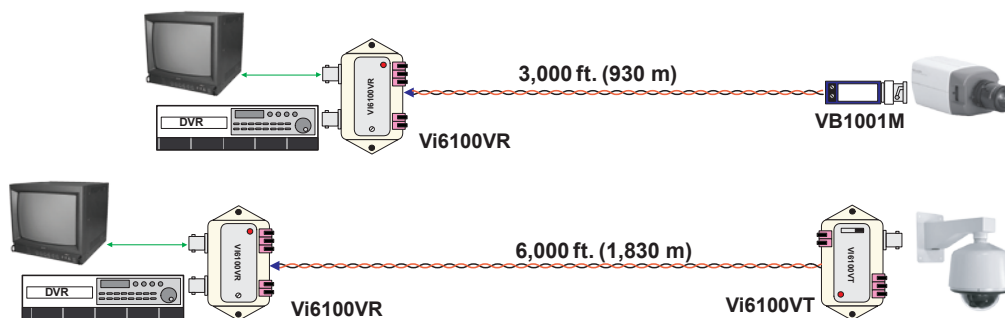
- Security and surveillance
- Department store security
- Casino security
- Hospitals and airports
- School campuses

The Vigitron Vi6100VR is an advanced active device that receives high resolution color or black and white video over unshielded twisted pair wires category 2-7 at distances up to 6,000 feet (1,830 m) when used with Vigitron Vi6100VT active transmitter. It can be used with any Vigitron passive transceiver for distances up to 3,000 feet (930 m).

The Vi6100VR is a compact unit that has dual BNC video outputs to simplify connection to multiple video devices. Each channel has a single distance adjustment. This receiver has built-in surge suppression to protect video equipment against damaging voltage spikes. Its integrated ground loop isolation prevents disturbing "hum-bars" which are common with long distance installations and its excellent crosstalk and noise immunity provides quality video up to the maximum distance.

The Vi6100VR innovative design offers exceptional quality video and system flexibility that makes it ideal for a wide variety of applications and makes a cost-effective alternative to expensive fiber optic solutions.

Application Diagram



The smart choice for quality video

www.vigitron.com

Technical Specification*

Electrical

Video Format	NTSC, PAL, SECAM
Frequency	20 Hz to 6 MHz
Coax	75 Ohm
Twisted Pair	100 Ohms +/- 20%, 24 AWG minimum up to 6,000 feet (1,830 m) unshielded Category 2-7
CMRR	70 dB
Power	12V-24V DC/AC, 60 mA maximum (12V DC power supply included)
Power Indicator	Red LED
Connectors	UTP Video Inputs: Screw-less terminal blocks Video output: Female BNC connectors Power: Screw-less terminal blocks
Transient Immunity	per ANSI/IEEE 587 C62.41

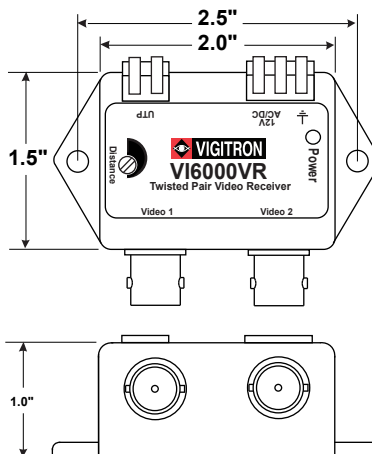
Environmental

Humidity	0 to 95%, non-condensing
Temperature	Operating: -10C to +50C Storage: -30C to +70C

Mechanical

Dimensions	1.6x2.9x1 inches (41x74x25 mm)
Weight	1.5 oz (40 g)
Material	Bone ABS plastic, UL rating of 94V-0

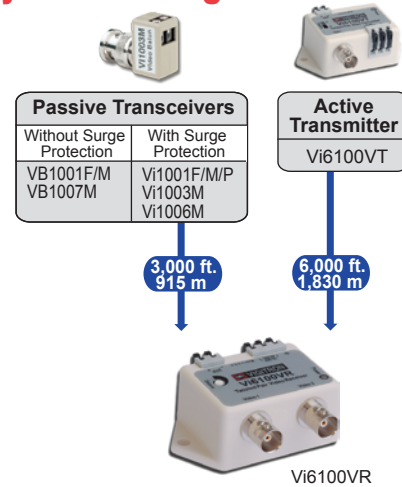
*Specifications subject to change without notice.



Ordering Information

PART No.	Description
Vi6100VR	Active Receiver

System Configuration



Wire and Cable Recommendations

The Vigitron products are designed to be used with unshielded twisted pair (UTP) wiring. The UTP wire must be 24AWG - 12AWG or Category 2 - 7 cable. Multi-pair cable with an overall shield is acceptable, however individually shielded pairs should be avoided. Multiple UTP video feeds can be operated in the same communication cable along with telephone, computer, control signals and low power voltages. While UTP video may be routed through punch-down block terminals, any resistive, capacitive or inductive devices (such as T-taps or MOV's) must not be used. Please contact Vigitron for more specific information regarding wire types and proper installation techniques.



TEL (+1) 858-484-5209 • FAX (+1) 858-484-1205

7810 Trade Street, Suite 100, San Diego, CA 92121, USA • support@vigitron.com • www.vigitron.com