

# Vi1008/Vi1016/Vi1032

8,16, 32-Channel Passive UTP Video Receiver Hubs

## Features

- Quality video over 1,000 ft. (305 m)\* of unshielded twisted pair wires (UTP)
- NTSC, PAL and SECAM video formats
- Compatible with qualified cameras with built-in UTP transmitter
- 60 dB cross talk and noise immunity
- No power required
- Built-in differential and common surge protection
- Female BNC and detachable terminal blocks
- 1U high wall or rack mountable
- Includes 8, 16 or 32 coax jumper cables
- Limited lifetime warranty



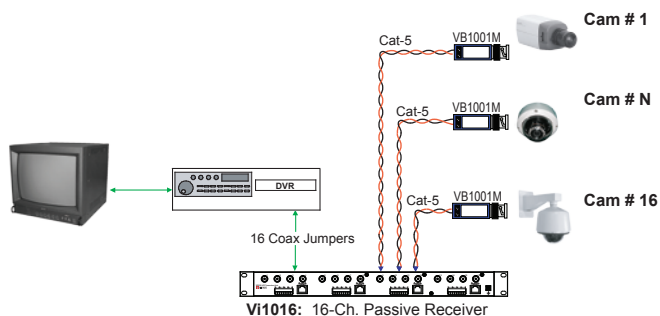
## Applications

- Security and surveillance
- Department store security
- Casino security
- Hospitals and airports
- School campuses

The Vigitrone Vi1008, Vi1016 and Vi1032 are 8, 16 and 32-channel passive transceiver hubs that transmit or receive video signals over unshielded twisted pair (UTP) wires, point-to-point, for distances up to 1,000 ft. (305 m)\*. They are used with any Vigitrone transceivers to support "up-the-coax" PTZ signals. These hubs use category 2-7 twisted pair wires, and are easy to install, cost effective and do not require power.

The Vi1000 series can use either terminal blocks or RJ45 adapters for UTP connections. have built-in surge suppression to protect video equipment against damaging voltage spikes and provide noise immunity to ensure clear images. These hubs offer quality video in a highly integrated and cost effective package. They are ideal for a wide variety of security and surveillance applications that require high-density CCTV systems.

## Application Diagram



The Smart Choice for Quality Video

[www.vigitron.com](http://www.vigitron.com)

© Copyright 2012 Vigitron, Inc.

# Technical Specification

## Electrical

Video Format	NTSC, PAL, SECAM
Frequency	DC to 10 MHz
Coax	75 Ohm
Twisted Pair	100 Ohms +/- 20%, 24 AWG minimum up to 1,000 ft. (305 m)* unshielded category 2-7
CMRR	60 dB
Insertion Loss	0.3 dB
Power	No power required
Connectors	UTP video inputs: Detachable terminal blocks Detachable RJ45 Video outputs: BNC connector
Transient Immunity	per ANSI 587 C62.41

## Environmental

Humidity	0 to 95%, non-condensing
Temperature	Operating: -10°C to +50°C Storage: -30°C to +70°C

## Mechanical

Dimensions	1.75 x 17 x 1.76 in., 4.44 x 43 x 4.47 cm (HxWxL)
Weight	3.3 lb, 1500 g
Material	Aluminum sheet metal

## Included Accessories

- Mounting brackets for front, rear, or wall installations
- Rubber feet for desk applications
- 8, 16 or 32 2-ft. (60 cm) coax jumper cables
- 2, 4 or 8 Vi0017 RJ45 to Terminal block adapters

\*It is recommended not to exceed 750 ft. (250 m) when using with digital equipment.  
\*\*Specifications are subject to change without notice.

## Ordering Information

PART No.	Description
Vi1008	8-Ch Passive Receiver Hub
Vi1016	16-Ch Passive Receiver Hub
Vi1032	32-Ch Passive Receiver Hub

## System Configuration

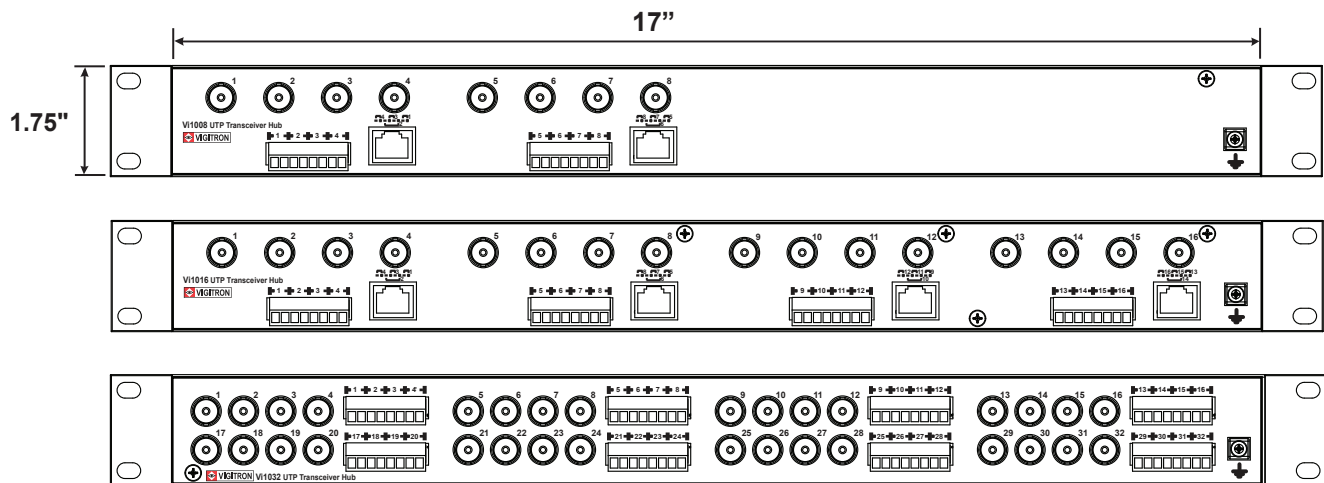
Passive Transceivers	
Channels	Model
1	VB1001F/M VB1007M Vi1001F/M/P Vi1003M Vi1006M
4	Vi1004
8	Vi1008
16	Vi1016
32	Vi1032

750 ft.  
228 m

Active Receivers	
Channels	Model
8	Vi1008
16	Vi1016
32	Vi1032



Vi1032



## Wire and Cable Recommendations

The Vigitron products are designed to be used with unshielded twisted pair (UTP) wiring. The UTP wire must be 24AWG - 12AWG or category 2-7 cable. Multi pair cable with an overall shield is acceptable, however individually shielded pairs should be avoided. Multiple UTP video feeds can be operated in the same communication cable along with telephone, computer, control signals and low power voltages. While UTP video may be routed through punch-down block terminals, any resistive, capacitive or inductive devices (such as T-taps or MOV's) must not be used. Please contact Vigitron for more specific information regarding wire types and proper installation techniques.



TEL (+1) 858-484-5209 • FAX (+1) 858-484-1205  
7810 Trade Street, Suite 100, San Diego, CA 92121, USA • support@vigitron.com • www.vigitron.com