



Vi1108PS & Vi1116PS Isolated power supply Installation Manual



Vi1108PS



Vi1116PS

The Vi1108PS and Vi1116PS are high quality 8-ch and 16-ch fully isolated class II power supplies that their outputs can be set individually to 24 VAC or 28 VAC. Each power output can be individually turned on or off, is equipped with surge protection and a 2 A glass fuse easily accessible from front panel. The input voltage can be set to 110 VAC or 220 VAC via an external switch.

These power supplies are 1U height and 19" rack mountable. These units can be mounted from front or rear in the rack. The output connections are through detachable terminal blocks to ease the installation. There are one LED for power and one LED for fault detection per output. The optional cooling fan option can increase the aggregated current from 12 A to 16 A.

The Vi1108PS and Vi1116PS are ideal for CCTV projects or for structured cabling environment.

Features

- 16 isolated outputs, individually selectable to 24 VAC or 28 VAC
- 1 A max per channel, 12 A aggregated
- Built-in surge protection
- A glass fuse per channel, accessible from front panel
- Power present and fault indicator LEDs for each camera
- 19", low profile 1U wall or rack or wall mountable
- Optional cooling fans with temperature control
- Designed for structured wiring applications
- Limited Lifetime warranty

Specifications

Electrical

Input Voltage	110 VAC or 220 VAC, internally switch selectable
Input Current	4.8 Amps (110 VAC) / 2.4 Amps (220 VAC)
Output Voltage	Voltage: Isolated Class II, 24 V AC, off, 28V AC Rear Panel switch selectable
Output Current:	1 A Max per camera, 12 A Max aggregated Power: 340 VA
Fault Protection	2 A glass fuse (front access) per camera
Diagnostics LEDs	No Load or Shut down: 16 Red LEDs, one per channel Power Present: 16 Green LEDs, one per channel
Connectors	Camera Connection: RJ-45 Connector Data: RJ-45 Connector Control Room Video: BNCs
Transient Immunity	per ANSI 587 C62.41

Environmental

Humidity	0 to 95%, non-condensing
Temperature	Operating: -20C to +50C Storage: -30C to +70C
Minimum Airflow	5 ft /min
Heat	1300 BTU/hour

Mechanical

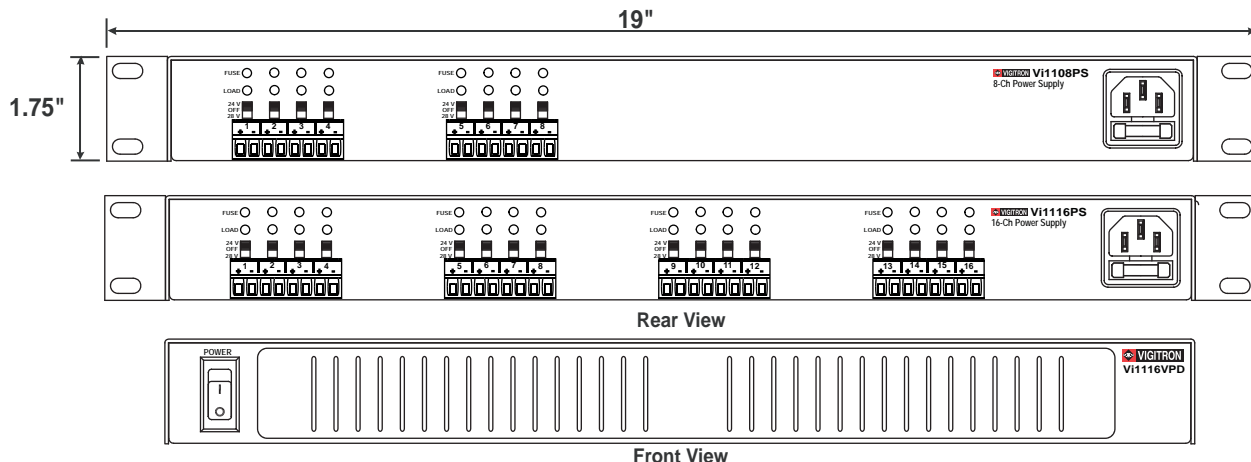
Dimensions	1.75x17x12 Inches, 4.3x43x30.5 cm (HxWxL)
Weight	22 Lb, 10 Kg
Material	Steel Sheet Metal

Wiring Notes

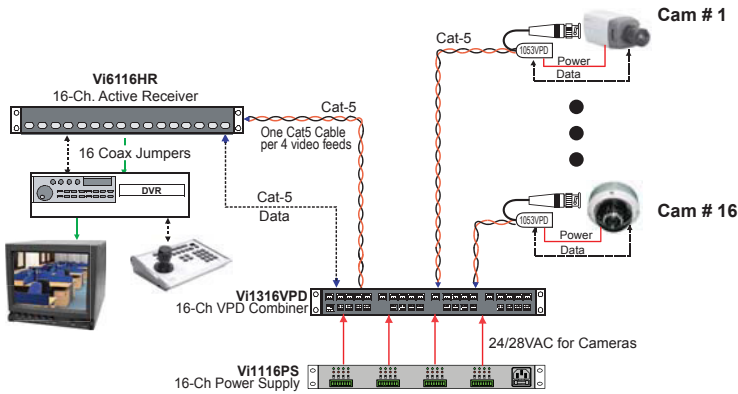
Vigitron recommends the use of 18 AWG or thicker solid wires for power connections. Verify wire distance, camera current requirement and wire resistance limit for the maximum distance that Power can travel. Use "Power Distance Chart" to verify the wire distance.

Loop Resistance per 1,000ft (305m)

AWG	24AWG	22AWG	20AWG	19AWG	18AWG	16AWG
mm	0,5mm	0,6mm	0,7mm	0,8mm	1,0mm	1,3mm
Ohm	52	32	20	16	13	8.2



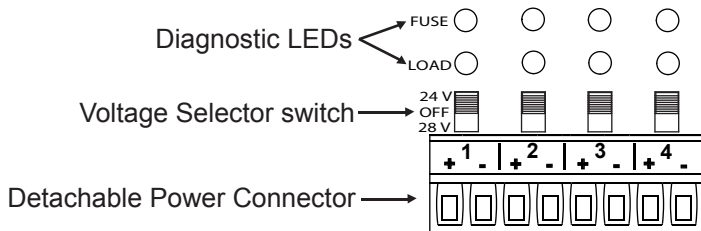
Vi1108PS and Vi1116PS Application Diagram



Applications

- Security and Surveillance
- Powering Rack-mounted Equipment
- Powering Networking Equipment
- Structured Wiring Applications

Front Panel Interface



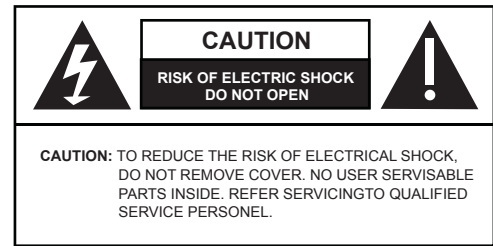
Diagnostic LEDs

FUSE LED (Red) Off: Fuse is blown or the unit is not plugged in
On: Power is good

LOAD LED (Green) Off: No device is connected or device is broken
On: Power is good and device is active

Important Safety Warning

- This installation should be made by a qualified service person and should conform to all local codes.
- Never put Vigitron signals in the same conduit as high-voltage wiring.
- To reduce a risk of fire or electrical shock, do not expose this product to rain or moisture
- The Vigitron equipment shall not be exposed to Dripping or splashing.
- No objects filled with liquids, such as vases, shall be placed on Vigitron equipment.
- The Main 110VAC fuse is 5A. Each camera power fuse is 2A and can be accessed by removing the front panel. Fuses may be replaced by a qualified service person **only when the unit is off and AC power cord is unplugged.**
- Output fuses need to be replaced by 2 A slowblow fuses.
- Input fuse need to be replaced by a 5 A fastblow fuse.



Certifications



Limited Lifetime Warranty

Vigitron, Inc. warrants that all Vigitron products ("Product"), if used in accordance with these instructions, will be free of defects in material and workmanship for as long as the original end user purchaser owns the product. At Vigitron's option, defective product will be repaired, replaced or substituted with a product of equal value.

This warranty does not apply if, in the judgment of Vigitron, Inc., the Product fails due to damage from shipment, handling, storage, accident, abuse or misuse, or if it has been used or maintained not conforming to Product manual instructions, has been modified, or serial number removed or defaced. Repair by anyone other than Vigitron, Inc. or an approved agent will void this warranty. Vigitron, Inc. shall not under any circumstances be liable to any person for any incidental, indirect or consequential damages, including damages resulting from use or malfunction of the product, loss of profits or revenues or costs of replacement goods. The maximum liability of Vigitron, Inc. under this warranty is limited to the original purchase price of the Product.

Prior to returning any defective Product, the end customer or the reseller from whom the end customer originally purchased the Product must obtain a Return Materials Authorization (RMA) number from Vigitron, Inc. All defective Products should be returned to Vigitron, Inc. with shipping charges prepaid. No collect shipments will be accepted.



VIGITRON, Inc.
7810 Trade Street, Suite 100
San Diego, CA 92121
U.S.A.
Phone: (858) 484-5209
Fax: (858) 484-1205