

# Vi1120

120W, 56V Desktop Power Supply

## Features

- Universal power input 100-240 VAC
- High power Output: 56VDC at 2.1A
- Complys with major safety and emission standards
- Highest degree of safety and protection
- Provides Over Voltage Protection (OVP)
- Provides Over Current Protection (OCP)
- Provides Short Circuit Protection (SCP) with automatic recovery
- Meets Energy Star V / Erp ( Stage 2 ) / MEPS V
- High Energy Efficiency
- Compact size



## Applications

- Power source for applications requiring PoE power for PTZ, heaters and blowers
- Telecommunications, computer, Industrial and office automation systems requiring high power sources

The Vi1120 is a 120W/ 56VDC power supply that is designed to meet the power requirements of CCTV products requiring high power levels. With Level 5 energy efficiency the Vi1120 provides high power, high efficiency meeting Level V energy efficiency standards. Its Over Voltage Protection (OVP), Short Circuit Protection (SCP), and Over Current Protection (OCP) makes it a very safe power supply. The Vi1120 intelligent system will evaluate fault conditions and once they are no longer present, will return to normal operations.

The Vi1120 operates at temperatures range from 0°C to +40°C with the ability to cold start under full load at 25°C. The Vi1120 is an ideal solution for powering CCTV systems.

# Technical Specification

## Electrical

### INPUT

|                |                                    |
|----------------|------------------------------------|
| Input Voltage  | Universal 100 ~240 V.A.C, 47~63 Hz |
| Current        | 1.6A Maximum                       |
| Inrush Current | 80A Max./ 230 V.A.C.               |
| Cold Start     | 25 degrees C @ full load           |
| Efficiency     | >= 87%                             |

### OUTPUT

|                                |   |
|--------------------------------|---|
| Output Voltage                 | +56VDC +/-5%  |
| Current                        | 2.15A   |
| Regulation                     | 53.2V minimal ~56V typical~58.8V Maximum  |
| Ripple/Noise                   | 300mV Maximum   |
| Total Power                    | 120W  |
| Output Plug Pin Assignment     | Center Pin: Power<br>Shield: Ground   |
| Protection                     | Over Voltage Protection (OVP) 105% ~150%<br>Over Current Protection (OCP) 105%~150% |
| Short Circuit Protection (SCP) | Automatic recovery after fault is removed   |

## Regulatory

|                   |  |
|-------------------|--|
| UL/cUL            | UL60950  |
| FCC               | FCC 47 CFR Part 15 Subpart B<br>ICES-003 Issue 4<br>ANSI C63.4-2009                            |
| CE                | EN 55022:2006+A1:2007<br>EN 61000-3-2:2006<br>EN61000-3-3:2008<br>En55024:1998+A1:2001+A2:2003 |
| EMS Immunity      | EMC Directive 2004/108/EC<br>(EN55022/EN55024)   |
| Energy Efficiency | EC 278/2009 for external power supplies<br>Level Verified V                                    |
| Environmental     | RoHS, WEEE   |

## Environmental

|             |   |
|-------------|---|
| Temperature | Operating: 0 C (32F) ~+40C (104F)<br>Storage: -20C (-4F) ~+80C (176F) |
| Humidity    | Relative Operating: 20%-80% RH<br>Relative Storage:10%-90%            |
| Cooling     | Natural Air- No fan required  |

## Mechanical

|            |   |
|------------|---|
| Dimensions | Case: 6.6x2.3x1.5 in, 16.8x6.6x3.9 cm (HxWxL)<br>Cable: 59 in., 150cm |
| Weight     | 1.3 lbs., 580g  |
| Housing    | ABS plastic, UL rating of 94V-0                                       |

## Ordering Information

### Part No. Description

|        |                                 |
|--------|---------------------------------|
| Vi1120 | 120W 56VDC Desktop Power Supply |
|--------|---------------------------------|

## Related Products

### Part No. Description

|         |   |
|---------|---|
| Vi0017  | 48VDC, 40W Desktop Power Supply           |
| Vi10120 | 120W 56VDC Hardened DIN Rail Power Supply |
| Vi10240 | 240W 56VDC Hardened DIN Rail Power Supply |
| Vi10480 | 480W 56VDC Hardened DIN Rail Power Supply |

\*Specifications subject to change without notice.

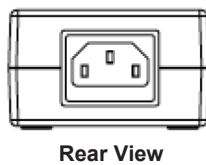
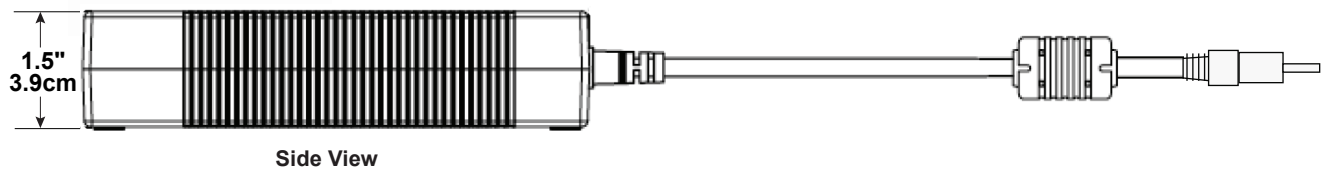
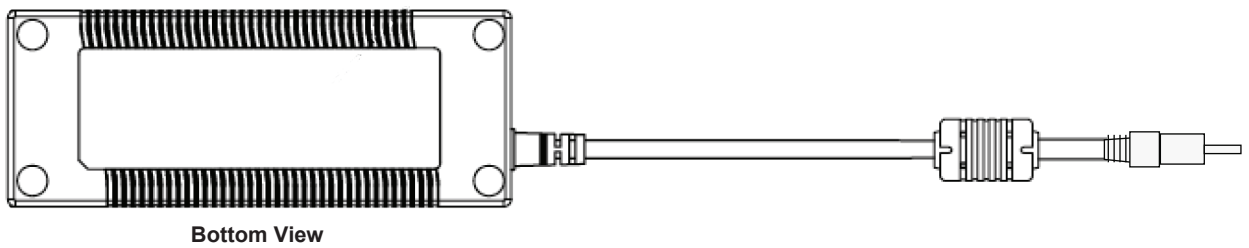
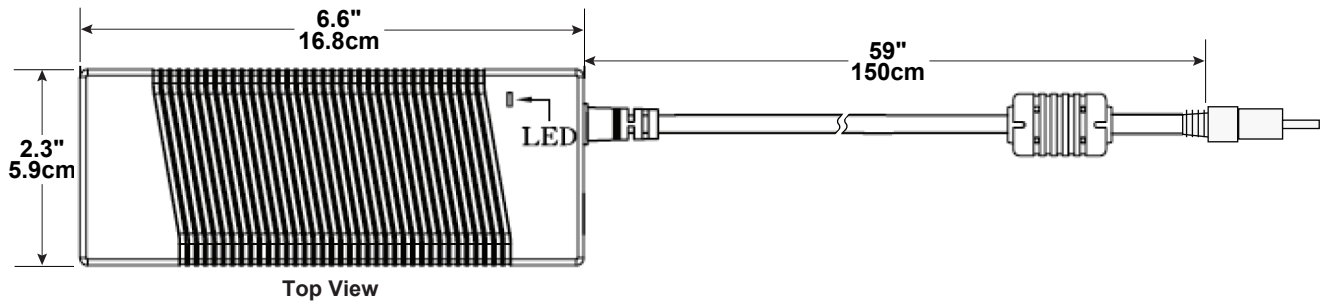


TEL (+1) 858-484-5209 • FAX (+1) 858-484-1205

7810 Trade Street, Suite 100, San Diego, CA 92121, USA • support@vigatron.com • www.vigatron.com

© Copyright 2022 Vigatron, Inc.

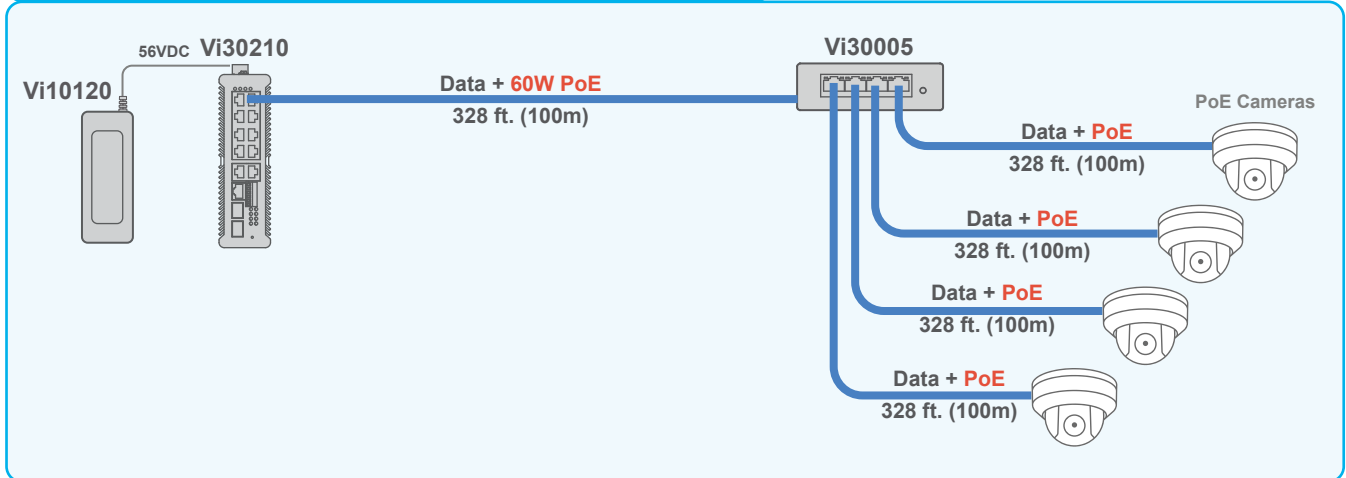
# Mechanical Drawings



# Application Drawings

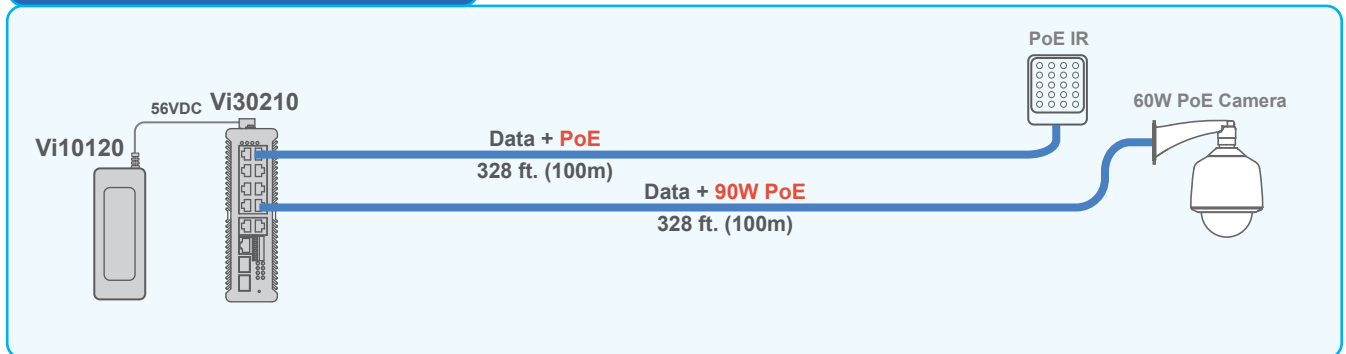
— Cat 5/6

## Powering Multiple Remote PoE Cameras



The Vi11120 can be used to power a local PoE switch, a remote PoE powered PoE switch and multiple connected PoE cameras.

## Powering High PoE Switches



The Vi11120s can be used to power a wide variety of devices such as high power cameras and IR illuminators.