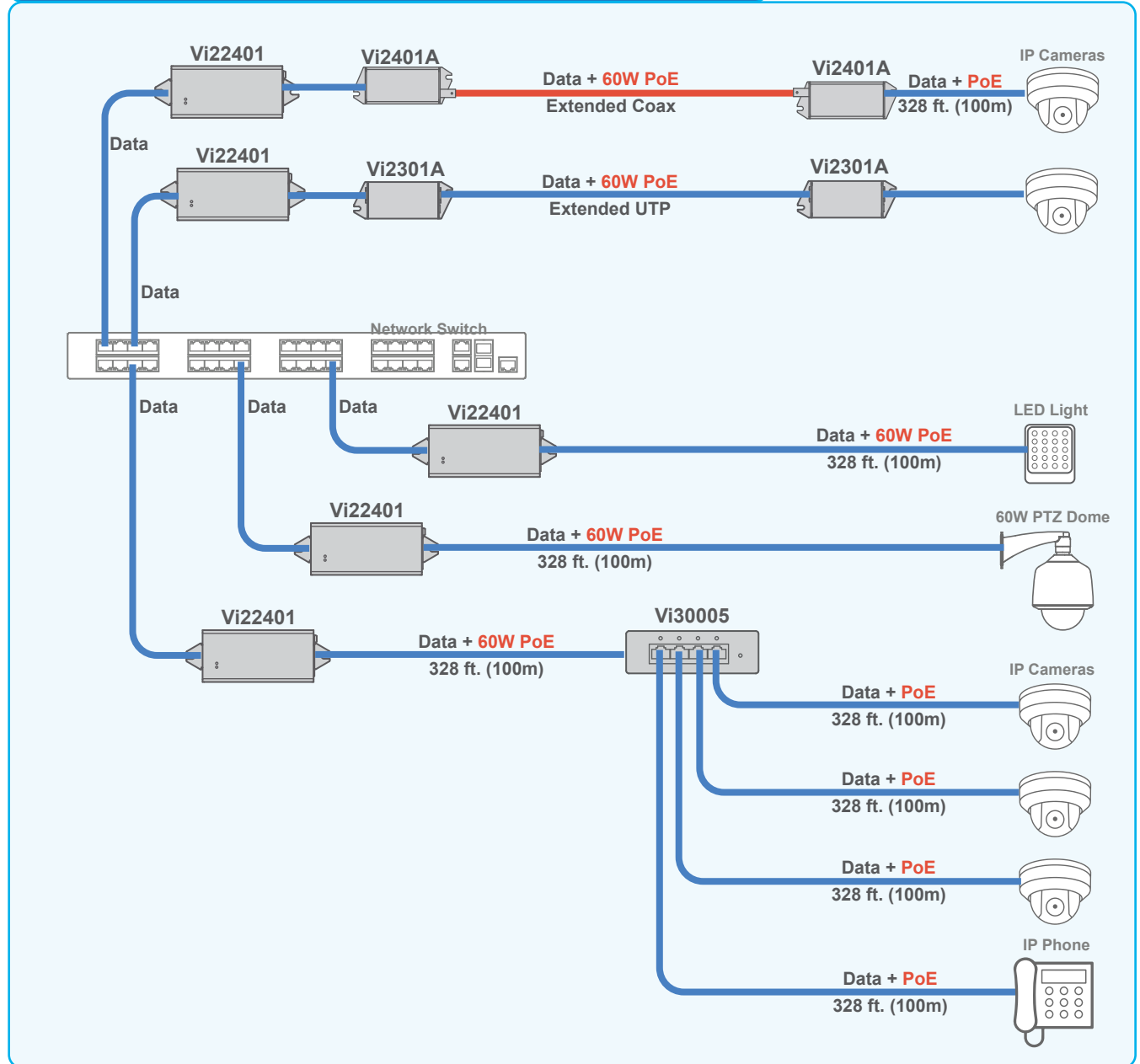


# Vi22401

# Application Drawings



## Powering PoE devices at standard and extended distances



The Vi22401 can power a wide range of PoE devices at standard and extended distances up to 60W.