

Vi22401

Single Port 60W PoE Midspan

Features

- Single port IEEE 802.3.af/at/60W PoE compliant for 10/100/1000 Base-T networks
- Built-in 65W universal power supply
- Delivers up to 60W PoE for high power applications
- Automatically senses single or dual PD devices
- Complies with IEEE 802.3 safety standards for automatic detection and over-current protection
- Built-in PoE surge protection
- Provides high data rate and power for Megapixel IP camera applications
- Tested to RFC 2544 packet transmission standards
- Compact design



Applications

- Local PoE source for high power IP cameras
- Cost effective solution for applications using non-PoE network switch
- Powering all types of PoE powered IP equipment
- Powering PTZ domes and LED Lighting requiring 60W power

Vigtron's MaxiiPower™ Vi22401 is a high power single port Midspan compliant to IEEE 802.3af/at up to 60W. It is a cost effective solution for powering a wide range of IP cameras that offers all standard PoE safety features including detection, connection/disconnection and fault protection. With a transmission bandwidth of up to 1Gbps, its application has virtually no bandwidth limitations and interfaces with the highest megapixel cameras.

The Vi22401 includes a 65W built-in power supply and does not require an external power supply. It is compact size, easy to install and ideal for using in environmental enclosures or other space restricted applications. It provides a wide operating temperature range that meets the requirements for outdoor operation in weatherproof enclosures.

The Vi22401 complies with all network transmission standards and is an ideal solution for powering any PoE powered devices that requires high power PoE devices requiring up to 60W.

Technical Specification*

Electrical

Ethernet Interface	Standard 10/100/1000 BaseTX
UTP	Category-5 (or higher)
Output Power	60W @ 54VDC
AC Input Power	90-264VAC, 50-60 Hz
PoE Standards	802.3af 802.3at PoE++ up to 60W
Status LEDs	Power: Green LED PoE On: Green
Connectors	Input Interface: Shielded RJ-45 Output Interface: Shielded RJ-45 Main Power: IEC 320-C14 inlet

Regulatory

Safety	CE
Environmental	RoHS, WEEE

Environmental

Humidity	0 to 90%, non-condensing
Temperature	Operating: -20°C to +50°C Storage: -30°C to +70°C

Mechanical

Dimensions	1.87x2.56x6.17 in., 4.7x6.5x15.3 cm (HxWxL)
Weight	0.95 lb (430 g)
Material	Extruded Aluminum

Included Accessories

Molded IEC 7 ft. (200 cm) power cord

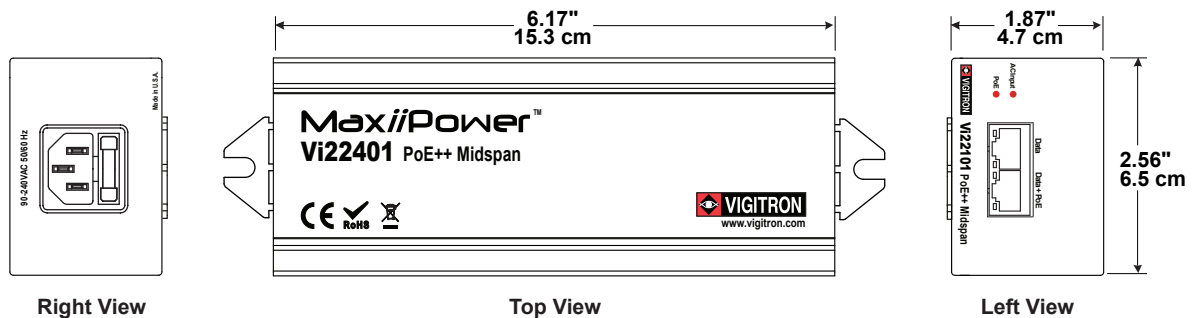
*Specifications subject to change without notice.

Ordering Information

Part No.	Description
Vi22401	Single port High-Power PoE Midspan

Related Products

Part No.	Description
Vi2201	30W PoE Midspan
Vi22001	90W PoE Midspan with DC Input
Vi22601	60W PoE Midspan with DC Input
Vi22501	30W PoE Midspan with DC Input

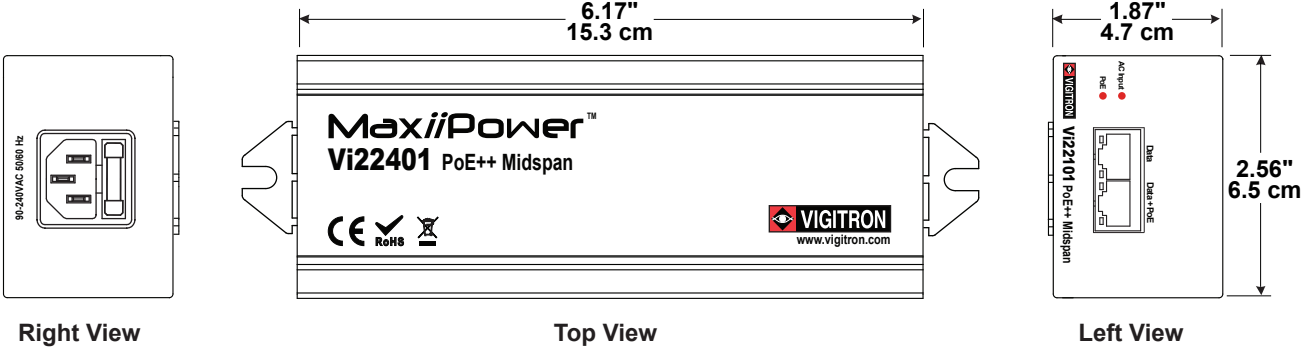


TEL (+1) 858-484-5209 • FAX (+1) 858-484-1205

7810 Trade Street, Suite 100, San Diego, CA 92121, USA • support@vigitron.com • www.vigitron.com

© Copyright 2022 Vigitron, Inc.

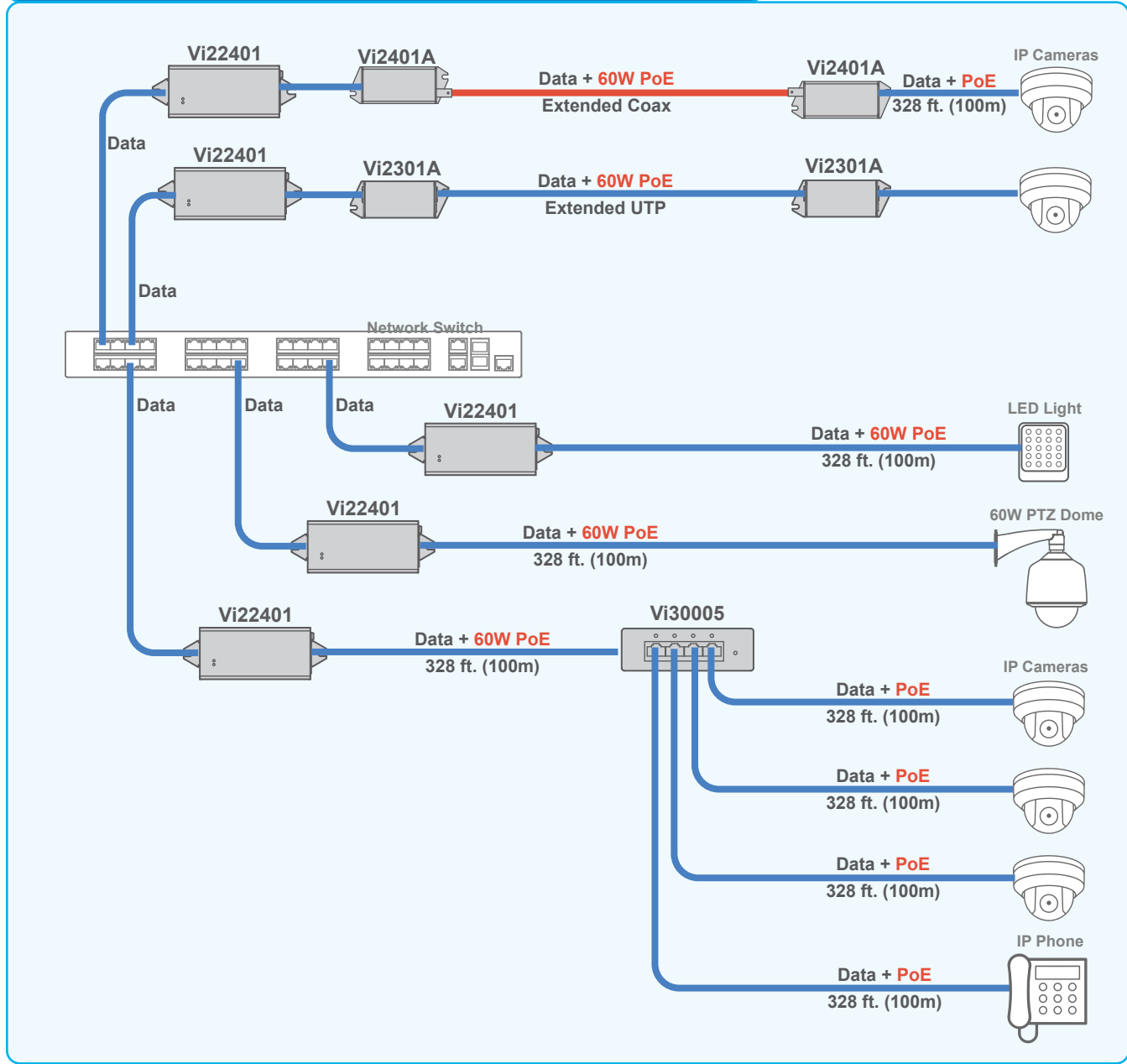
Mechanical Drawings



Application Drawings



Powering PoE devices at standard and extended distances



The Vi22401 can power a wide range of PoE devices at standard and extended distances up to 60W.