

# Vi30005

## 5-Port, 1G, IP67 PoE Powered PoE Switch

### Features

- 5-port Layer 2 PoE powered PoE switch
- 100/1000Mbps network speeds, auto sensing
- IP 67 weatherproof/Waterproof
- 6Kv surge protection
- Certified for IEC600068-2-52 for salt laden environments
- Can be powered from a remote PoE source to provide PoE power to all 4 ports
- Up to 36W PoE per port, capable of combing each 2-ports for up to 72W
- UPoE compliant input up to 72W
- Automatic PoE port priority allocation
- Over current shut down protection if allocated PoE budget is exceeded
- Certified (MPC™) high data rate for virtual loss free transmission of cameras
- Type tested to RFC 2544 TCP/IP network bandwidth packet transmission standards
- Type tested for -40°C to +75°C operating temperature range
- Complies with major IEEE standards and RFC network protocols for UTP, TCP/IP, HTTP/HTTPS
- Provides full Layer 2 network switch functionality



### Applications

- Transmits multiple high megapixel cameras over a single cable to reduce installation costs
- Perfect solution for multi-imager cameras that require high bandwidth
- Connects multiple network switches to reduce bandwidth restrictions and single point of failure potentials
- Provides PoE power for 60W cameras
- Cost effective solution for multiple cameras transmission between buildings, parking lots, garages and perimeter fence applications
- Prevents packet and bandwidth loss of transmitting high megapixel cameras

Vigatron's MaxiiNet™ Vi30005 fixed managed 5-port 1000Mbps PoE switch brings new performance standards to the growing need for high speed transmission of high speed Ethernet. The Vi30005W is IP67 weatherproof and certified for IEC600068-2-52 for salt laden environments.

The Vi30005 can be powered by PoE sources up to 72W or locally by the Vi1120 to supply IEEE 802.3at, up to 36W to each port or up to 72W for two combined ports. The PoE input is UPoE compliant . The Vi30005 operates at the standard distances of UTP up to 100m and fiber uplink up to 80Km by using its built-in MSA SFP compliant port.

With an operating temperature range of -40°C to 75°C, the Vi30005 is the perfect solution for data and power transmission for warehouses, parking lots, campuses, casinos, and many more. The Vi30005 is MegaPixel Certified (MPC™), type tested to network packet performance standards, and major manufacturer compatibility tested to assure you of quality and error free operations. Fixed managed L2 functions include 802.1p Qos, support of 2k MAC addressing, learning, aging, and a non-blocking switch fabric. Installation cost savings, proven performance, and major camera manufacturer compatibility all go into making Vigatron's MaxiiNet™ Vi30005W an ideal solution for standard distance data and power transmission.

# Technical Specification\*

## Electrical

Ethernet Interface	Standard 100BaseT/1000BaseT/1000BaseFX 1000BaseT SFP
UTP	100 Ohm +/- 20%, up to 328 ft. (100m)
Power Source	PoE: IEEE 802.3af (15.4W), IEEE 802.3at (30W), 72W UPoE Power Supply: 57VDC @ up to 120W or 12VDC @ 1A (non-PoE operation)
Connectors	Ethernet Interface: 5 x Waterproof RJ-45 connector Power: Waterproof Circular power connector
RFC	2544 TCP/IP Packet Transmission 768 UDP, 2068 HTTP, 793 TCP 791 IP, 1783 TFTP, 894 IP over Ethernet
PoE Compatibility	IEEE 802.3af, IEEE 802.3at
Jumbo Frame	Up to 9,600 bytes

## Regulatory

FCC	Part 15, Subpart B, Class B 2010
Emissions	EN 5502:2006+A1:2007 EN 61000-3-2:2006+A1:2009+A2:2009 EN 55024:1998+A1:2001+A2:2003
Safety	CE
Environmental	RoHS, WEEE

## Environmental

Humidity	0 to 95%, non-condensing
Temperature	Operating: -40°C to +75°C Storage: -40°C to +85°

## Mechanical

Dimensions	1.2x5.42x6.61 in., 4.67x13.8x16.8 cm (HxWxL)
Weight	2.06lbs (934g)
Housing	ABS plastic, UL rating of 94V-0

## Optional Accessories

Vi1120:	57VDC, 120W Power Supply
Vi0017:	48VDC, 40W Power Supply
Vi0012:	12VDC 1A Power Supply for non-PoE operation
Vi0016:	Combiner Adapter for 72W PoE Operation

\*Specifications subject to change without notice.

## Ordering Information

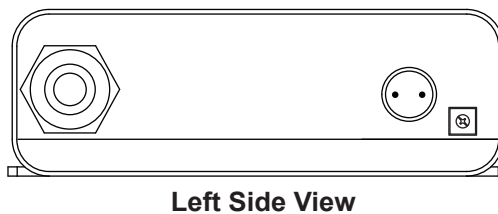
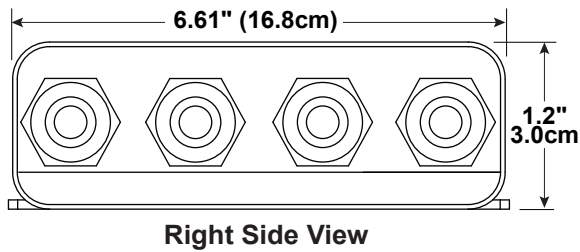
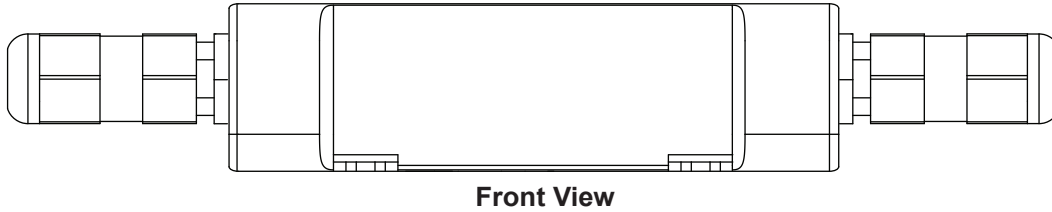
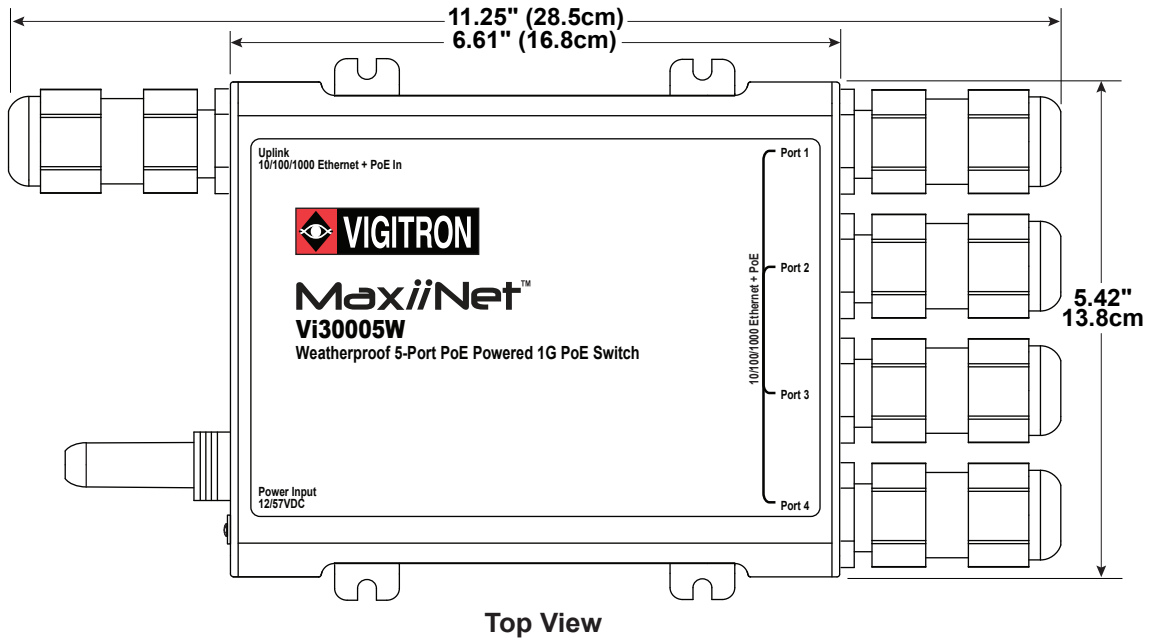
PART No.	Description
<b>Vi30005WP</b>	Weatherproof 5-Port, L2, 1G PoE Powered PoE Switch

## Related Products

Part No.	Description
<b>Vi30005</b>	5-port L2, 1G PoE Network Switch



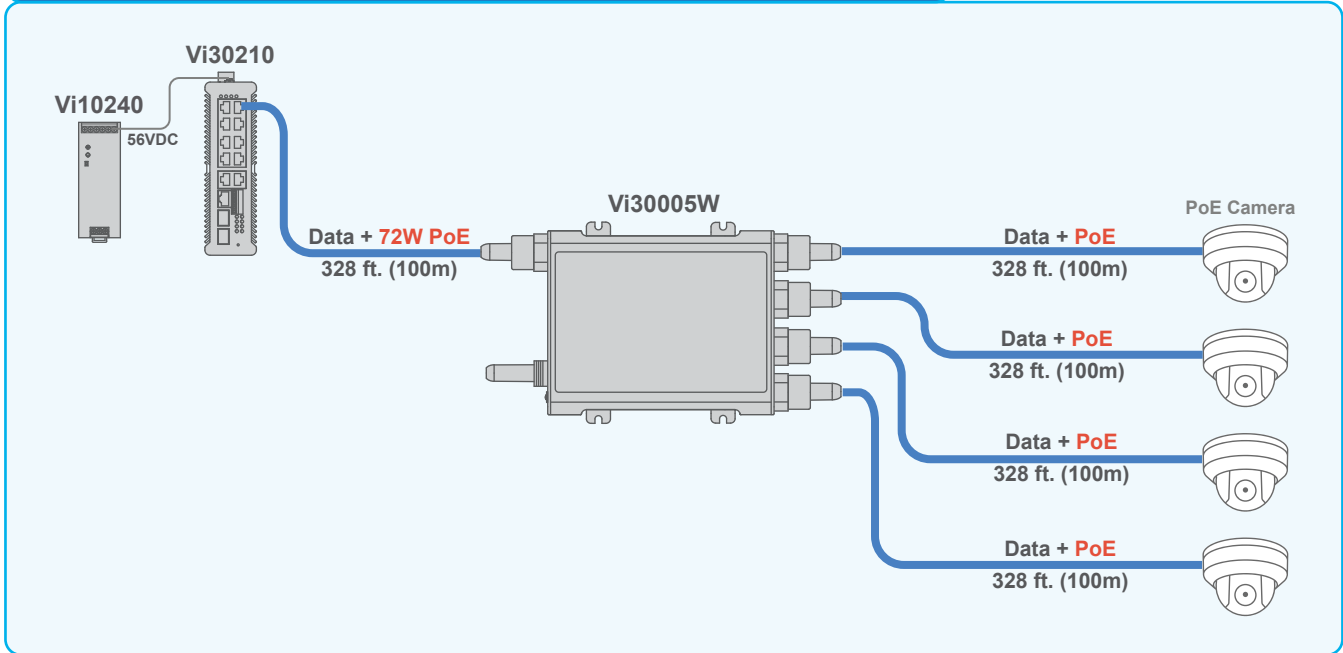
# Mechanical Drawings



# Application Drawings

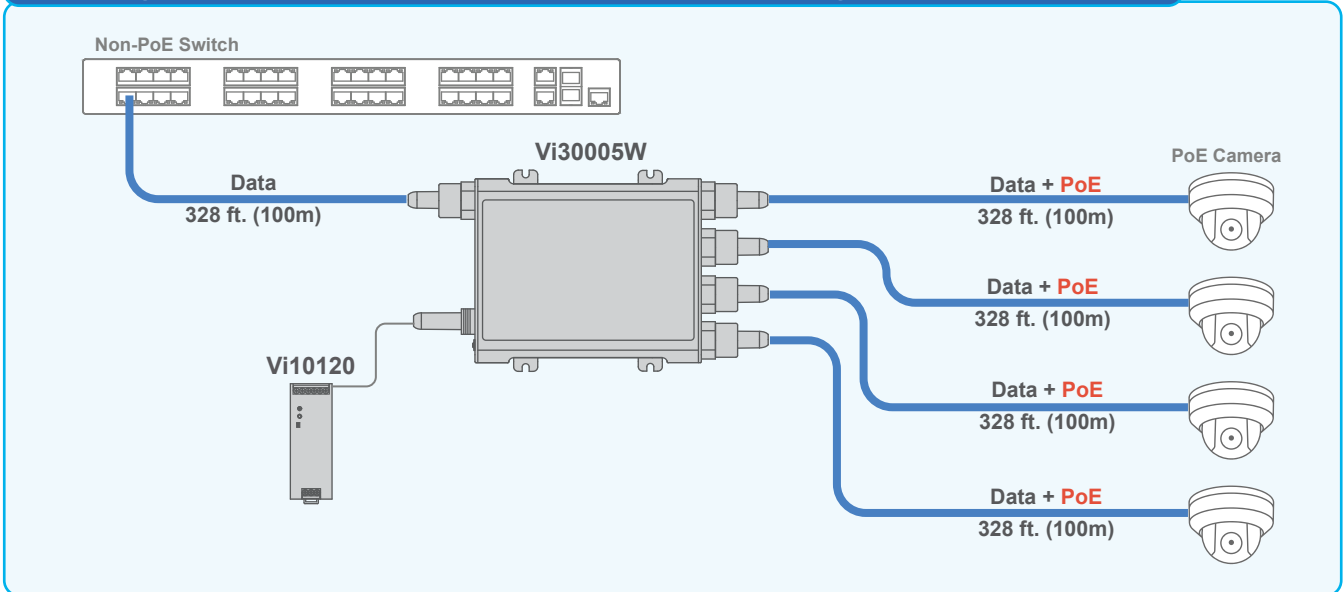
— Cat 5/6

## Powering the Vi30005W and 4 remote PoE cameras using PoE



The Vi30005W is a PoE powered switch that can be used to power up to four cameras using PoE.

## Powering the Vi30005W and 4 remote PoE cameras using local power supplies

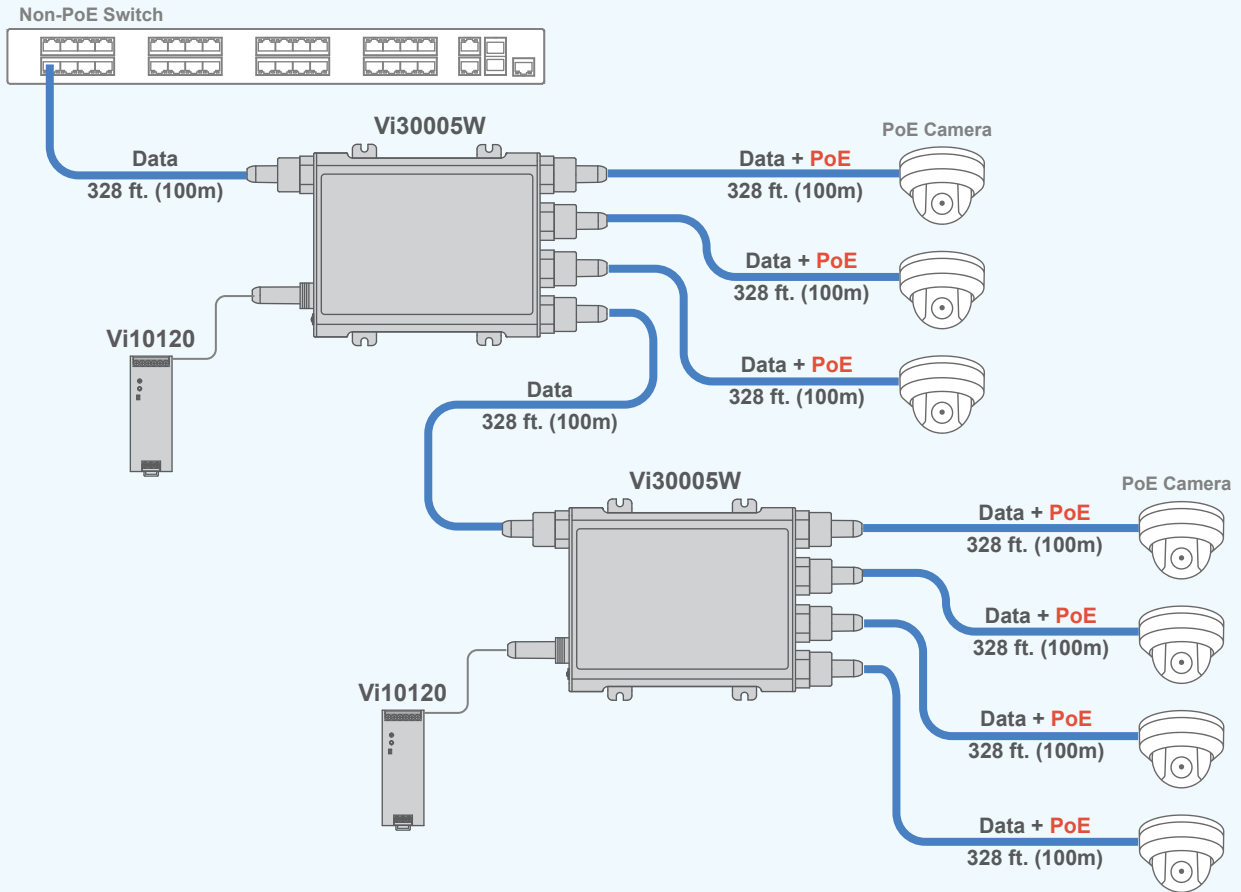


The Vi30005W can be used to power up to four PoE cameras using a local power supply.

# Application Drawings

Cat 5/6

The Vi30005W powers multiple remote PoE cameras using local power supplies



The Vi30005W can be used to connect to another Vi30005W to power several IP devices.