

Vi30602

1G Ethernet and 90W PoE Repeater

Features

- Passes through PoE power up to 90W for high power PTZ eliminating the need for local power
- Extends IP Video and PoE range up to 656 ft. (200m)
- PoE powered, no need for local power
- No network configuration required
- Wide operating temperature of -40°C to 75°C
- Full network bandwidth 10/100/1000Mbps for transmitting the highest megapixel cameras and extending network switches to switch communications
- Extremely compact size enables easy installation
- Multiple Vi30602s can be used to extend 1G IP video and PoE at distances up to 1,640 ft. (500 m)



Applications

- Extending 1G IP video and PoE for distances greater than 328 ft. (100m)
- Extending network switches to switch connections
- Providing high bandwidth and high power PoE transmission for multiple cameras
- Providing building-to-building connection between core switches

The Vi30602 is an Ethernet and 90W PoE repeater that provides a cost effective method for increasing distances beyond the Ethernet limit of 328 feet (100m) for IT and CCTV installations at network speeds up to 1000Mbps. Each unit can extend Ethernet and PoE for 328 feet (100m). Multiple units can be cascaded to reach the desired distances. The Vi30602 is a high performance device that meets the demands for the highest PoE powered PTZ domes or LED lighting eliminating the need for local power source.

Removable mounting brackets makes installation an easy process. The Vi30602 is the perfect solution for any IP transmission application. Up to 4 units can be combined to achieve a distance of 1,640 feet (500m) for IP video, PoE, and data transmission. The Vi30602 is very compact and can be easily installed in small outdoor cabinets. It is hardend and can operate at extended temperature of -40°C to 75°C.

It is an ideal solution for extending data and power from PoE switches, Midspans and extending communications between network switches.

Technical Specification*

Electrical

PoE Standard	IEEE 802.3af, at, bt Up to 90W UPoE up to 90W
Network Connection	2 x RJ-45 IEC 60603-7
Wiring Support	Cat 5e/6/7
Power Consumption	3W
LED	Power: Green Ports: 1G (Green), Link/Act. (Yellow)
Data Rate	Port 1: 10/100/1000 BaseTX, Auto Configuring
Data Interfaces and Compliances	RFC 768 UDP, RFC 2068 HTTP RFC 793 TCP, RFC 791 IP RFC 1783 TFTP, RFC 894 IP over Ethernet RFC 2544 TCP/IP Packet Transmission IEEE 802.3af, 802.3at, 802.3z
IEEE Compliances	802.3ab, 802.3z, 802.3af, 802.3at, 802.1p, 802.1Q, 802.1D, 802.1s, 802.3u, 802.3x, 802.3w
Compliance Services	IPv4 Type of Service (TOS) & Differentiated (Diff-Serv) IPv6 Traffic Class up to 10,000 Bytes
Jumbo Frame	Up to 9,600 bytes

Regulatory

NEC Code	For 3, 3 ½, and 4 inch Conduit at 40% Fill
Safety	CE, FCC
Environmental	RoHS, WEEE

Environmental

Humidity	0% to 95%, non-condensing
Temperature	Operating: -40°C to 75°C Storage: -40°C to 85°C

Mechanical

Dimensions	0.97x1.76x2.58 in., 2.5x4.5x10.5 cm (HxWxL)
Weight	0.26 lb (117g)
Housing Material	Extruded Aluminum

*Specifications subject to change without notice.

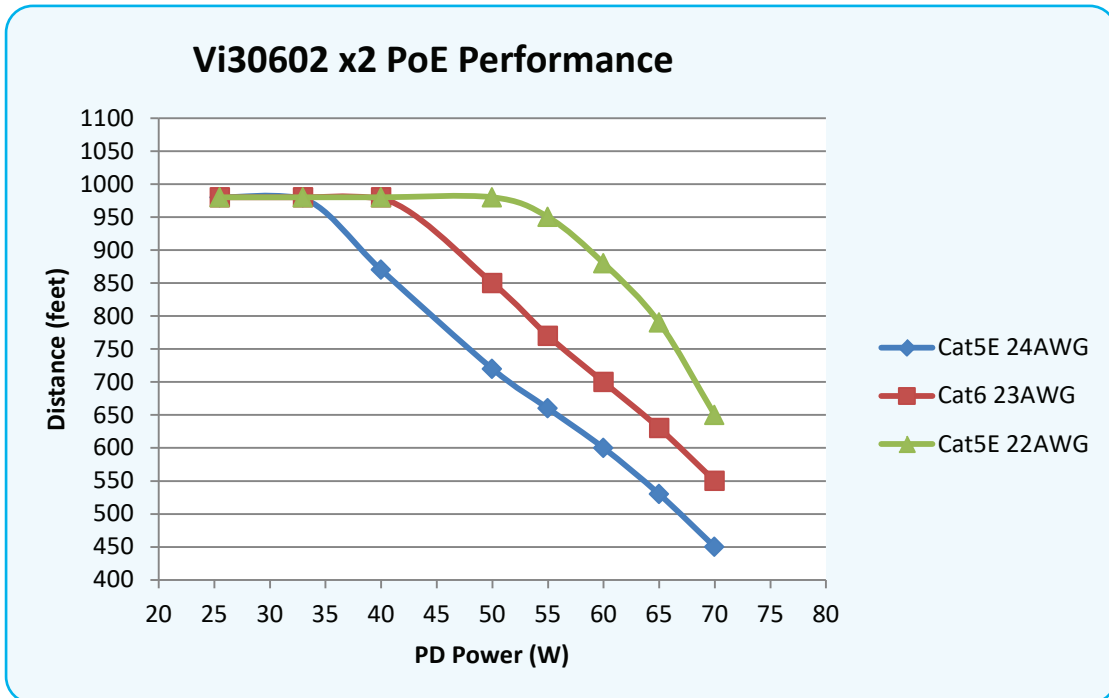
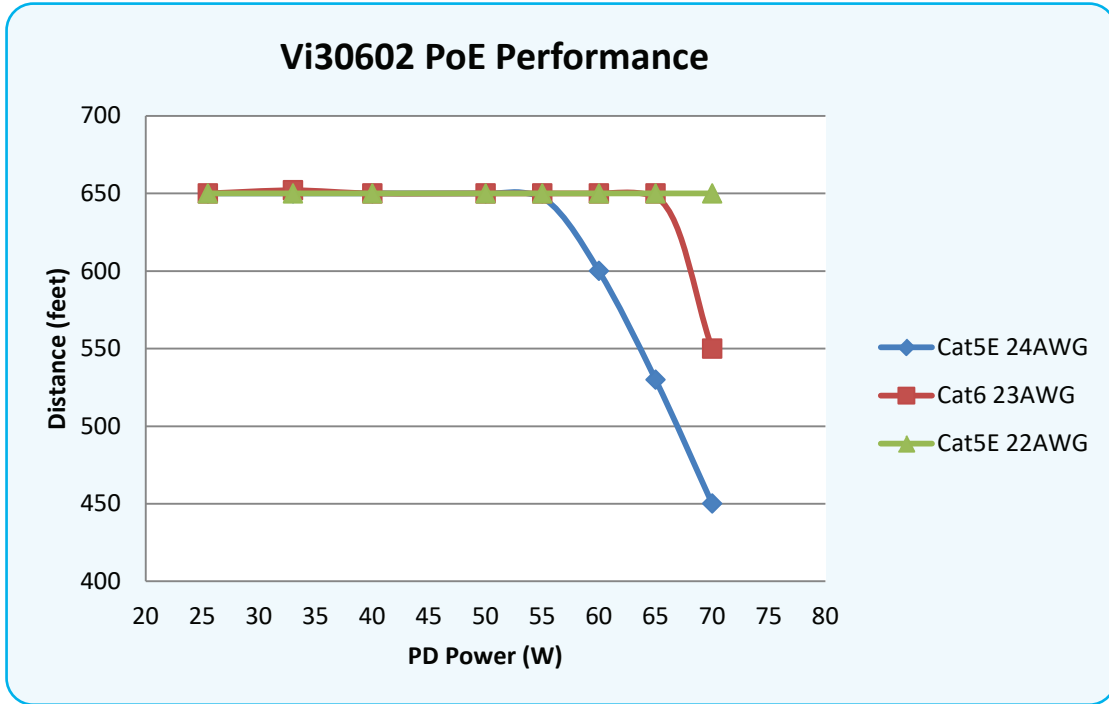
Ordering Information

Part No.	Description
Vi30602	MaxiiNet Ethernet 1G PSE 90W Repeater

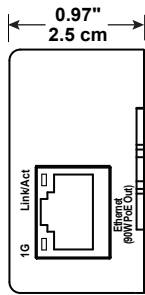


Application Diagrams

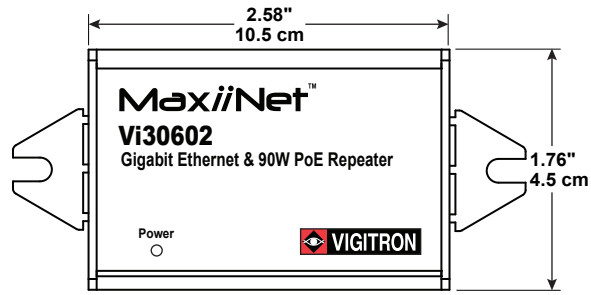
PoE Performance of Vi30602 over Different UTP Cables



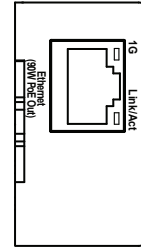
Mechanical Drawings



Left View



Top View

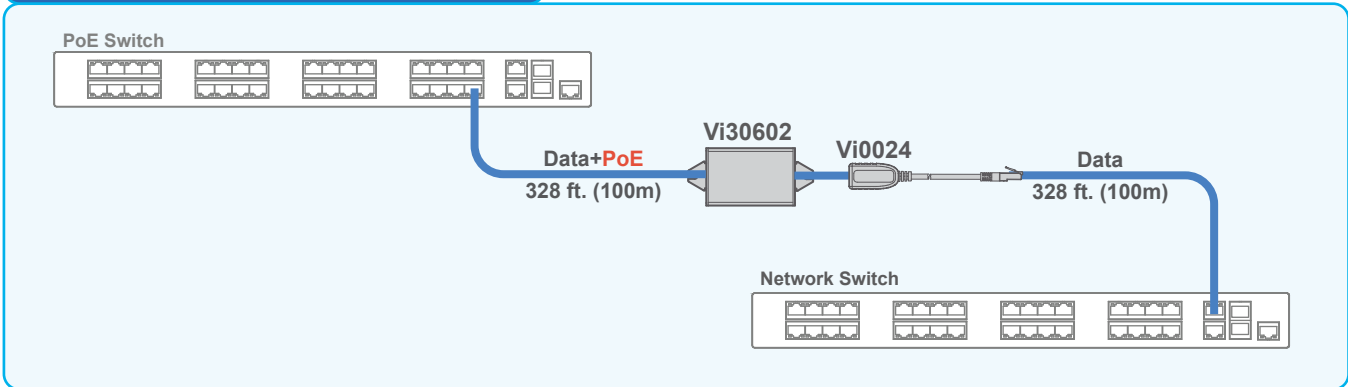


Right View

Application Diagrams

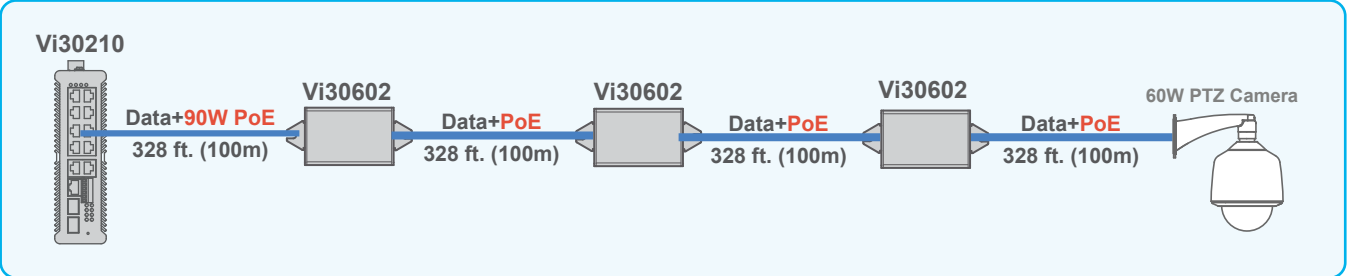
Cat 5/6

Connecting 2 Network Switches



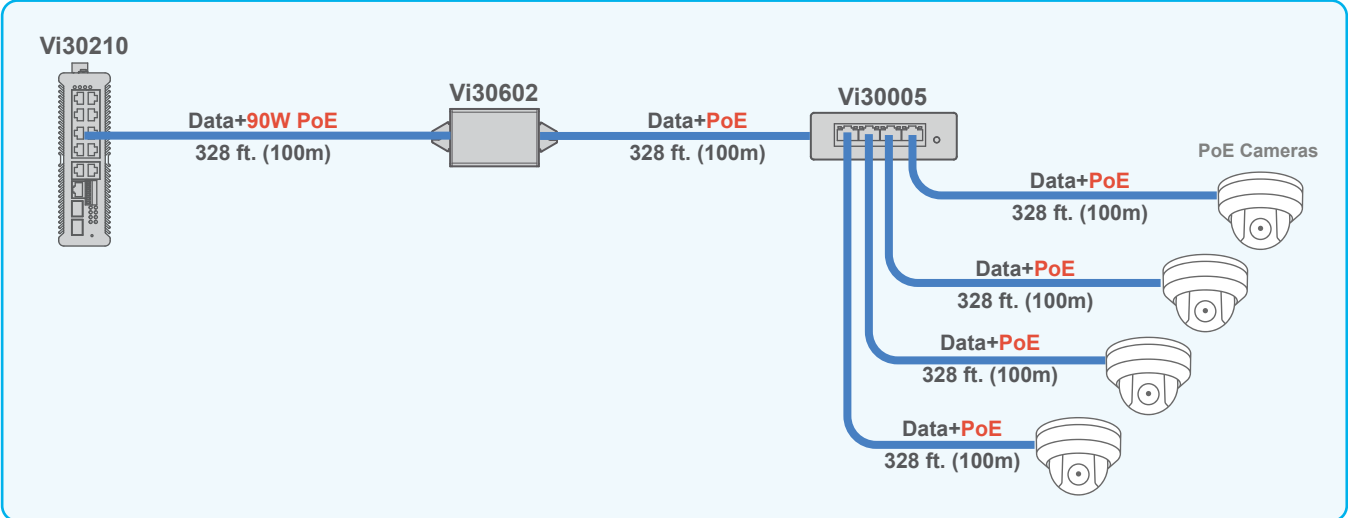
The Vi30602 allows for connection of two network switches at 10/100 Base-T. The Vi30602 is powered by PoE.

Extending 1G Data and 90W PoE



Multiple Vi30602 can extend the reach of 1G network and 90W PoE beyond 100m.

Connecting Multiple PoE Cameras at Extended Distances



The Vi30602 can be used to connect multiple PoE cameras at extended distances.