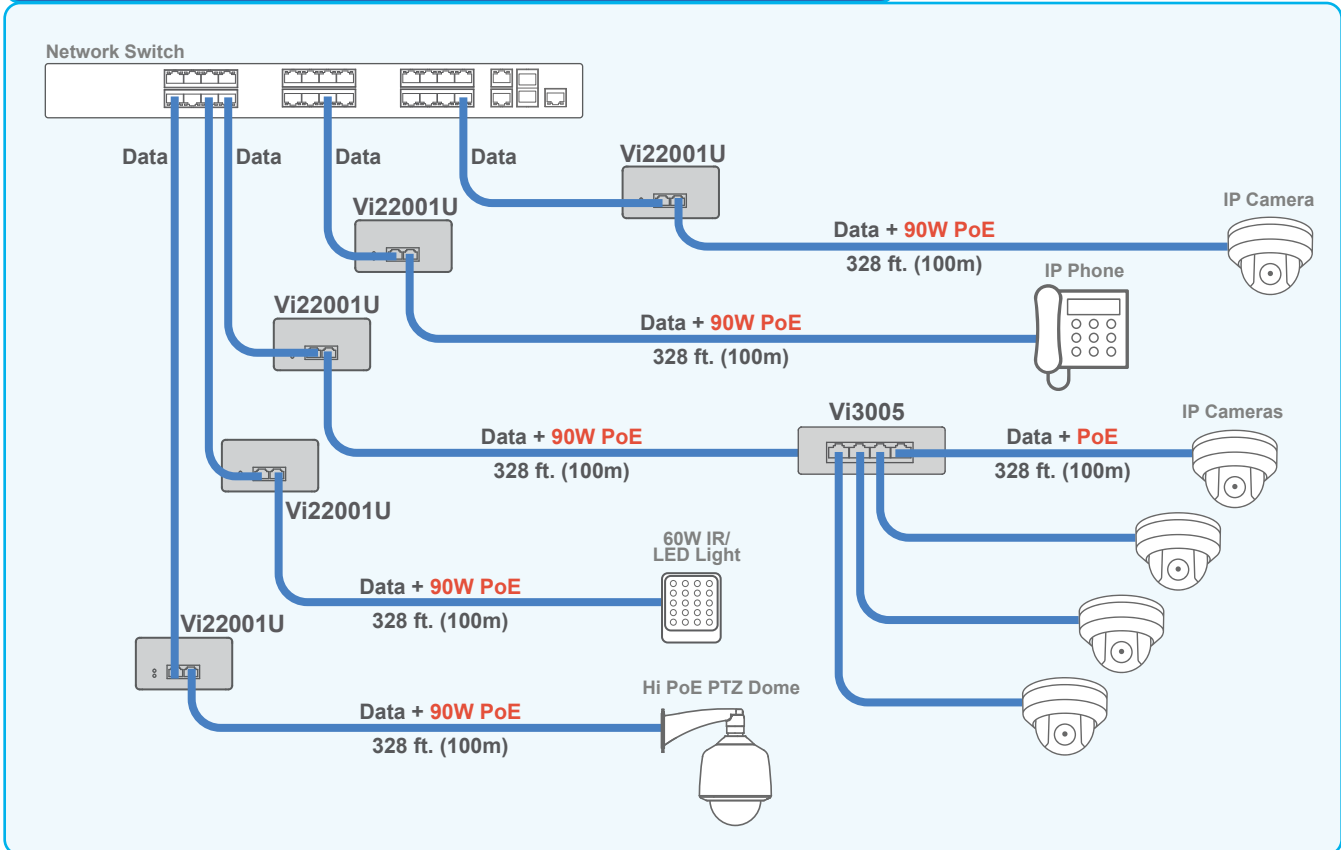


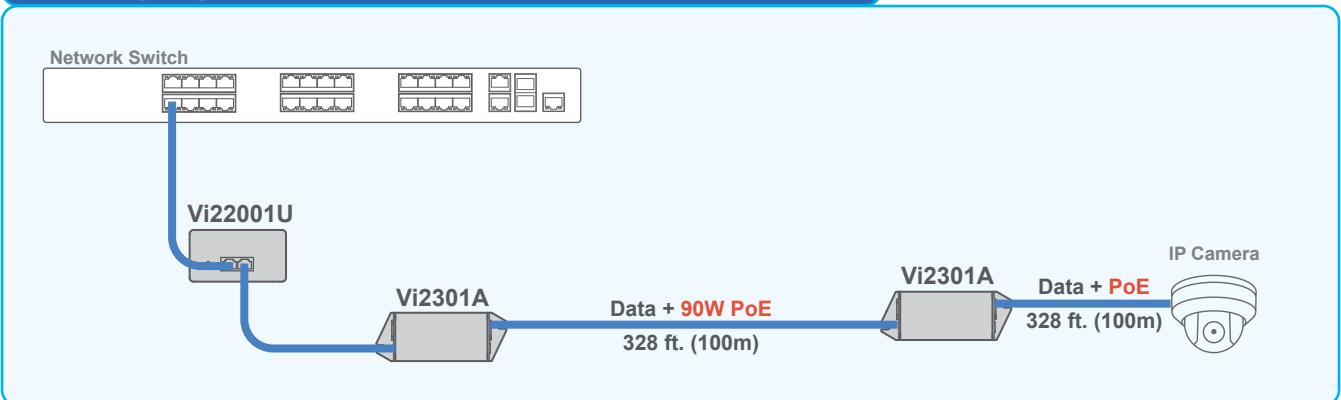
Powering PoE devices at standard and Extended Distances

— Coax
— Cat 5/6



The Vi22001U can be used to provide power to a wide variety high PoE power PoE powered devices with Single or Dual PDs.

Powering High power PoE devices at Extended Distances



The Vi22001U can be used along with extenders to provide power to PoE powered devices at long distances.