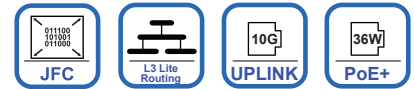


# Vi30128

## 28-Port 1Gb/10Gb L2+/L3 Managed PoE Switch

### Features

- 24 1G ports with high power PoE up to 36W
- 4 1G/10G uplink ports
- Automatic IP and PoE reconnection
- Supports jumbo frames up to 14Kbytes
- 740W PoE Budget
- 128Gbps switch fabric
- Layer 3 static trace routing
- Download status reports
- On board certificate generator
- Programmable PoE power delay
- G.8032 V1/V2 standard ring protocol
- 1558v2- protocol for display applications



### Applications

- Upgrading existing analog CCTV installations to digital
- Core network switch for any networking application
- CCTV system for casinos, airports, school campuses, and many more

Vigitrone's Vi30128 is a next generation L2+/L3 Static Routing Managed Switch designed for high bandwidth and high PoE application. Its 10G uplink ports can integrate into any network backbone. With PoE port power up to 36W to handle surges and supported with a 740W, the Vi30128 provides maximum power to a maximum number of ports. Ports can be continuously monitored, able to reapply connections and PoE, to reduce service calls and increase system reliability. Up to 32 routes can be traced on a single port.

- High PoE budget of total 740W with 36W per each port
- 4 x 10G uplink ports
- 128Gbyte switch fabric
- Layer 3 trace routing
- Automatic connection and reconnection with PoE application for more reliable start up and continuous operation
- Standard protocol ring operation
- Security certification for client connections
- On board error database with ability to download reports

# Technical Specifications\*

## Electrical

Ethernet Interface	10/100/1G Base-T, 10G uplink
Throughput	128Gbyte
Power	100-240VAC 50-60Hz, internal universal
Status LEDs	Power, Traffic, Link, and PoE
Switch Capacity	95.24Mbps, 128Gbps
Ports	Total 28 ports RJ-45 ports: 24 x 1Gb Fiber SFP: 4 x 1Gb/10G
PoE Compatibility	IEEE 802.3af/at up to 36W Supports PoE configuration Supports auto restart Supports on/off
PoE Delay	0-600 seconds
Jumbo Frame	up to 14K
MAC Address	32K
BTU	Fully Loaded PoE 772W (2634 BTU/Hr)

## Regulatory

FCC	Part 15, Class A
Safety	CE, UL, cUL
Environmental	RoHS, WEEE

## Environmental

Humidity	Operating: 5 to 95%, RH
Temperature	Operating: 0° to 50° C Storage: -20° to 70° C

## Mechanical

Dimensions	1.73" x 17.4" x 8.3", 44mm x 442mm x 221mm (HxWxL)
Weight	8.4 lb (3.8 Kg)
Housing	Sheet Metal

## Accessories

- Power Cord
- Mounting Kit
- Console Cable
- USB with Operations Manual

\*Specifications subject to change without notice.

## Ordering Information

Part No.	Description
<b>Vi30128</b>	28-Port 1Gb/10Gb L2+/L3 Managed PoE Switch

## Vi30128 Compatible ANSI/IEEE Standards

IEEE/ANSI Standard	Description
IEEE 802.3	Ethernet 10baseT UTP
IEEE 802.3u	Fast Ethernet 1000baseTX UTP
IEEE 802.3ab	Ethernet 1000baseTX UTP
IEEE 802.3z	Ethernet 1000baseX
IEEE 802.3x	Flow control Capability
IEEE 802.1q	VLAN
IEEE 802.1p	Class of Service
IEEE 802.1x	Access Control
IEEE 802.1d	Spanning Tree
IEEE 802.1w	Rapid Spanning Tree
IEEE 802.1s	Multiple Spanning Tree
IEEE 802.1ad	Link Aggregation Control Protocol (LACP)
IEEE 802.1AB	Link Layer Discovery Protocol (LLDP)
IEEE 802.3ad	Trunking
IEEE 802.1Q	Tag Based VLAN
ANSI/IEEE 802.3	Auto – negotiation
IEEE 802.3ae	IEEE 10G Ethernet Standard

## Minimum System Requirements

- Web Browser: Mozilla Firefox v2.5 or later, Microsoft Internet Explorer v6 or later
- Category 5 Ethernet cable Cat 5
- TCP/IP, network adapter, and network operating system (such as Microsoft Windows or Linux) installed on each computer in the network

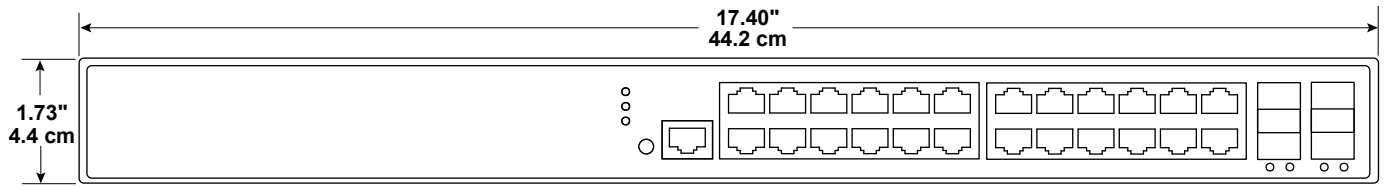


TEL (+1) 858-484-5209 • FAX (+1) 858-484-1205

7810 Trade Street, Suite 100, San Diego, CA 92121, USA • support@vigatron.com • www.vigatron.com

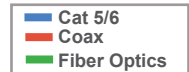
© Copyright 2022 Vigatron, Inc.

# Product Drawings

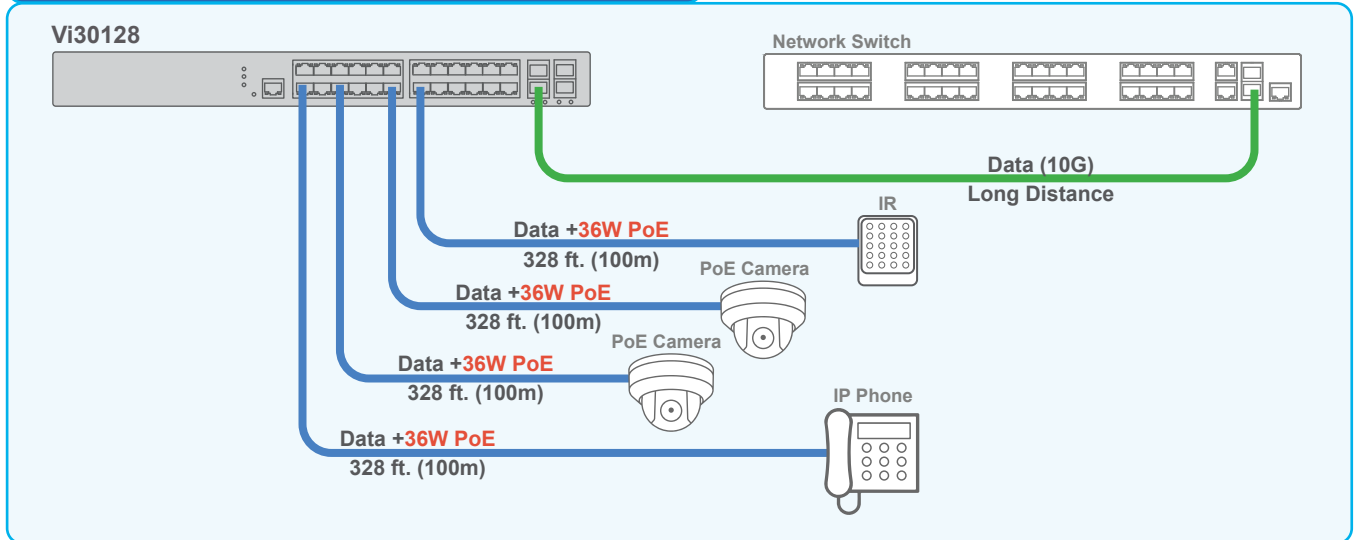


Front View

# Application Drawings

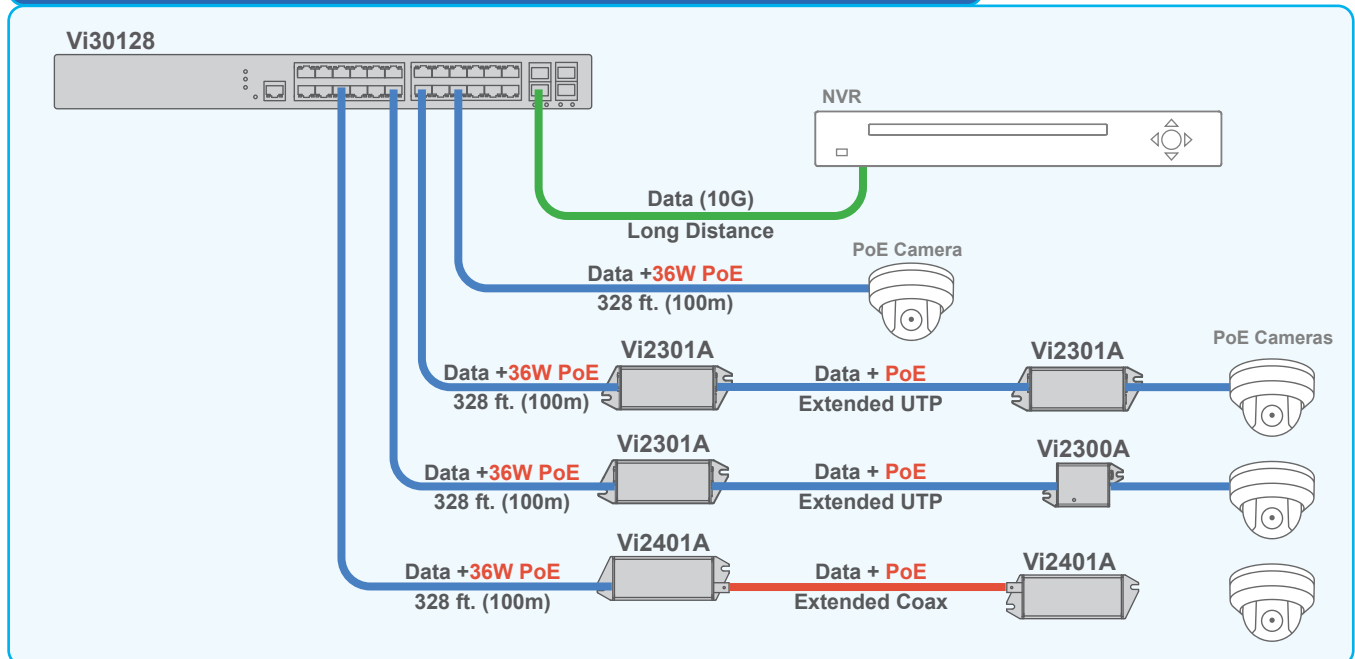


## Connecting multiple IP devices and switches



The Vi30128 can be used with a wide variety of IP devices to provide up to 36W on each port to PoE devices.

## Connecting PoE cameras over extended Coax and UTP to NVRs



The Vi30128 can be used with a extenders to communicate with IP devices over extended distance UTP or Coax.