

Vi5004

4-Port Fiber Media Convertor

Features

- Provides 4 ports of fiber media converters in a single chassis for easy installation
- Converts copper ports of network switch to fiber
- Provides a simple method for increasing the number of fiber ports of network switches
- Single +12V power supply to simplify installation
- Accepts all MSA compliant fiber SFPs
- Transmits Jumbo Frames up to 9,600 bytes for handling the largest Megapixel cameras
- Operates at extended temperatures 0°C to +70°C
- Can be combine with Vi5000R to create up to 16-port rack mounted configuration
- Combine with Vi3005 to create a 4 channel layer 2 fiber switch



Applications

- Upgrading analog fiber installations to IP without changing cables
- Solution for long distance high bandwidth transmission applications
- Expanding networks in industrial environment
- CCTV system for casinos, airports, school campuses, and many more

Vigitron's Vi5004 is a 4-port fiber optic media convertor that enables Ethernet signals to be transmitted over fiber optic cables. It enable UTP Ethernet to connect to fiber to meet long distance transmission requirement or where fiber is already installed. The use of fiber SFPs enables compatibility with all major single and multimode fiber optics cables to achieve transmission distances depending on the cable and SFP type. The Vi5004 can use virtually any MSA compliant SFPs.

The Vi5004 is an ideal solution for converting existing analog fiber infrastructures to IP systems. It provides a unique, reliable, and cost effective solution to meet long distance transmission application requirements.

Up to four Vi5004 units can be installed in a Vi5000R rackmount shelf to provide up to 16 ports of rack mountable fiber optics media converters.

Technical Specification*

Electrical

Ethernet	Standard 10/100BaseT, Auto-Negotiation, Auto MDI/MDI-X (x4)
Fiber Compatibility	Multimode Fiber Optical Cable: 50/125um Multimode Fiber Optical Cable: 62.5/125um Single Mode Fiber Optical Cable: 9/125um
Distance	Based on cable and SFP
Fiber Connection	LC based on SFP (x4)
Connectors	Fiber: SFP sockets compliant to MSA standards Ethernet: 4 x RJ45 Power: Detachable Terminal Block
Status LED	Power Ethernet: Link/Traffic, 10/100Mbps Fiber Active
Data Interfaces & Compliances	RFC 768 UDP, RFC 2068 HTTP RFC 793 TCP, RFC 791 IP RFC 1783 TFTP, RFC 894 IP over Ethernet RFC 2544 TCP/IP Packet Transmission
Standards	IEEE 802.3 10Base-T IEEE 802.3u 100Base-TX IEEE 802.3af, IEEE 802.3at
Power supply	12VDC @ 0.7A

Regulatory

Safety	CE
Environmental	RoHS, WEEE

Environmental

Humidity	0 to 95%, non-condensing
Temperature	Operating: 0°C to +70°C Storage: -40°C to +85°C

Mechanical

Dimensions	1.65 x 2.69 x 4.08 in., 4.19 x 6.83 x 10.36 cm (HxWxL)
Weight	0.59lb (266g)
Housing	Extruded Aluminum

Optional Accessories

Vi0014, 12VDC at 3A Power Supply
Vi5000R, Rackmount Adapter to Holds Up to (4) Vi5004s
Vi5000B, Blank Panel for Vi5000R

*Specifications subject to change without notice.

Ordering Information

Part No.	Description
Vi5004	4-Port Media Convertor with PoE Source

Related Products

Part No.	Description
Vi5001	Single Port Media Convertor with PoE Source

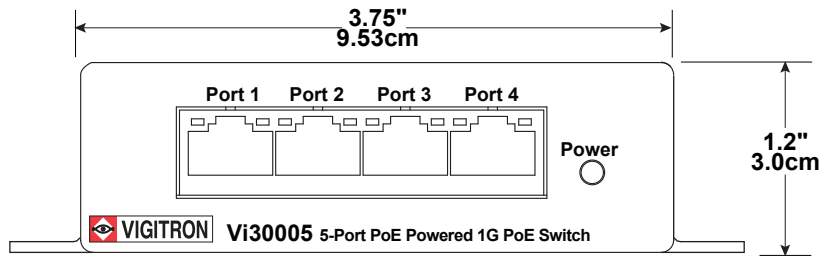


TEL (+1) 858-484-5209 • FAX (+1) 858-484-1205

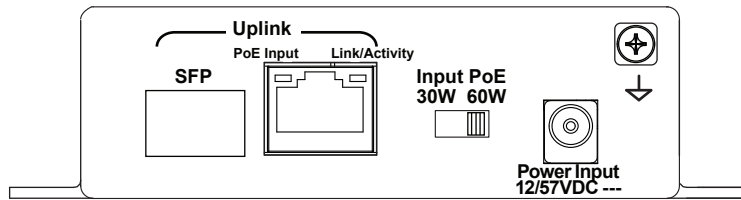
7810 Trade Street, Suite 100, San Diego, CA 92121, USA • support@vigatron.com • www.vigatron.com

© Copyright 2022 Vigatron, Inc.

Mechanical Drawings



Front View

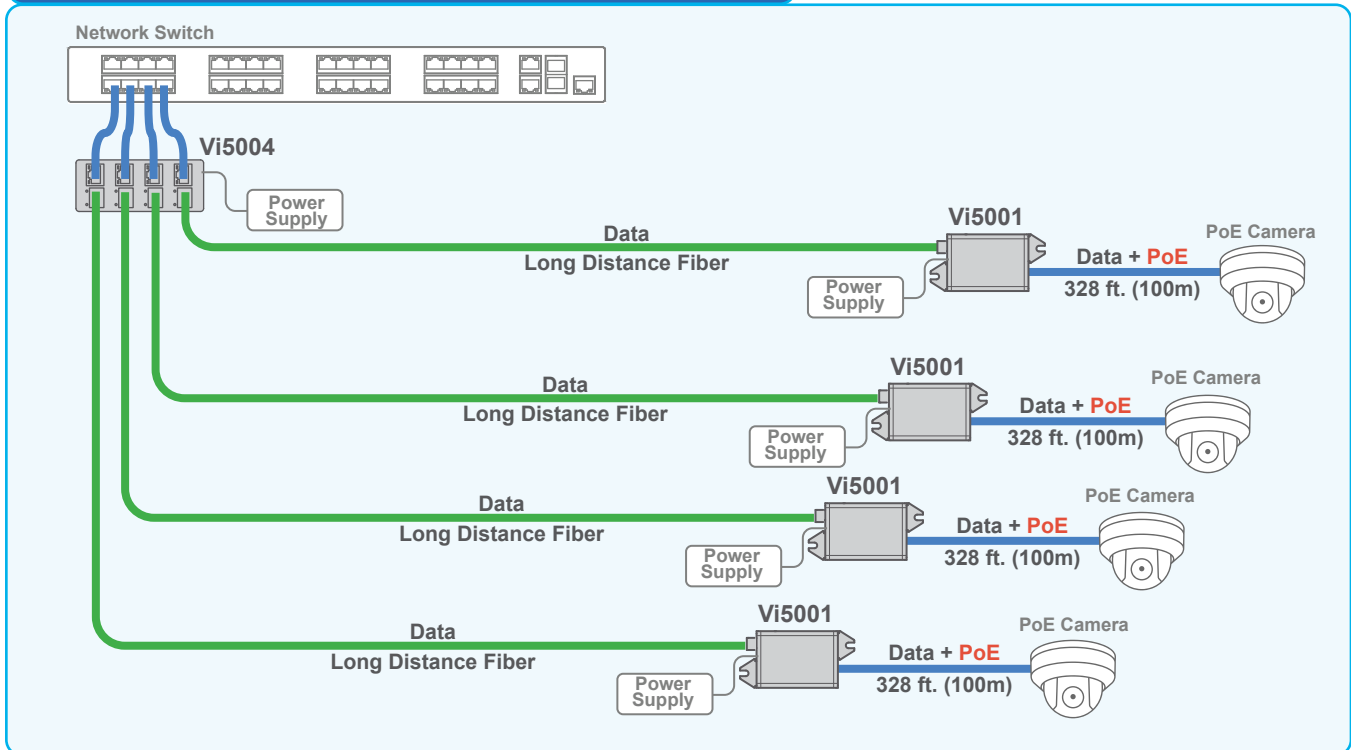


Rear View

Application Drawings

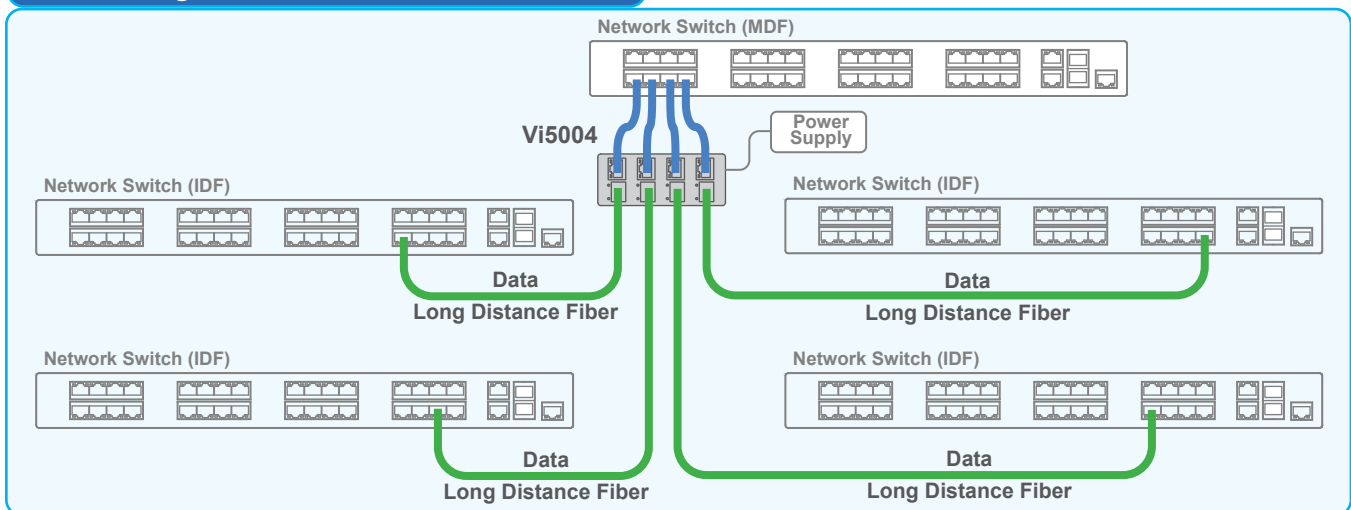
— Cat 5/6
— Fiber Optics

Adding fiber optic connection to Network switches



The Vi5004 along with Vi5001 enables adding 100Base-T fiber connection to any network switch. Each port of Vi5004 can be individually powered by PoE or local power supply SFPs need to be added to Vi5004 and Vi5001 to match the fiber optic cables.

Connecting IDF switches to MDF switches



The Vi5004 can connect up to four IDF switches to an MDF switch.



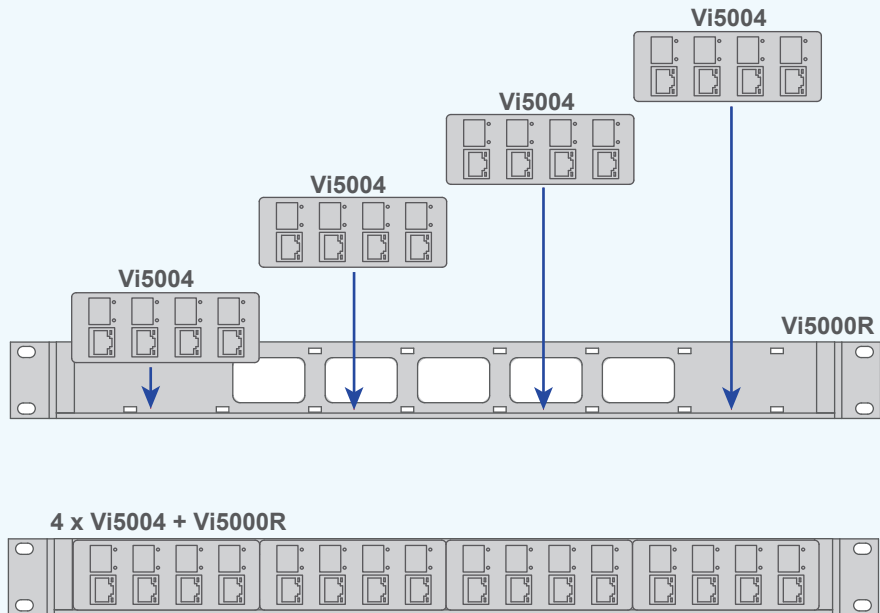
TEL (+1) 858-484-5209 • FAX (+1) 858-484-1205
7810 Trade Street, Suite 100, San Diego, CA 92121, USA • support@vigatron.com • www.vigatron.com

© Copyright 2022 Vigatron, Inc.

Application Drawings

— Cat 5/6
— Fiber Optics

Rack mount four 4-port Vigitron transmission devices



The Vi5000R provides an easy way to rack mount up to four Vi5004s to make a 16 port media converter. The Vi5000B can be used to cover empty spaces of Vi5000R.