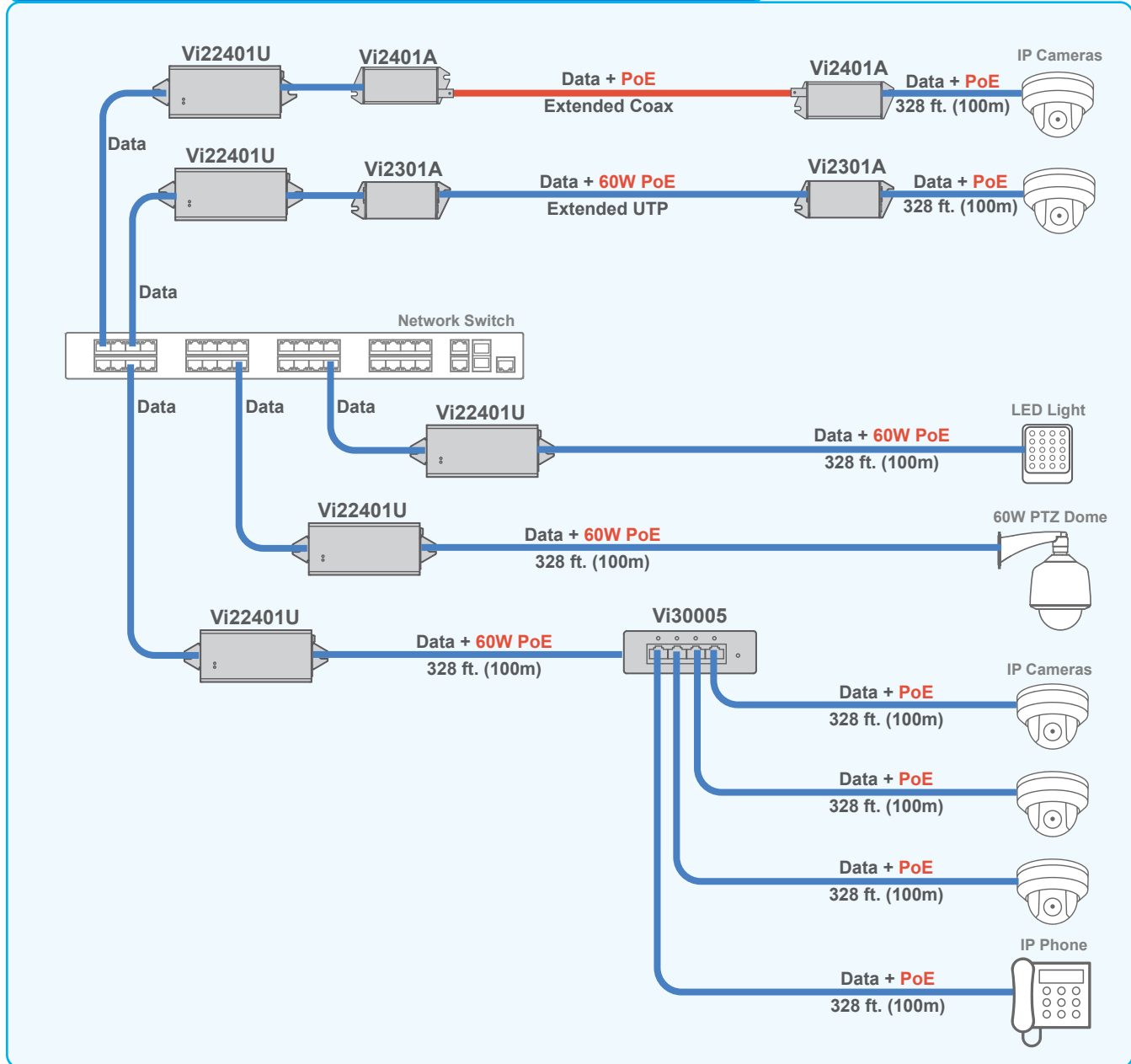


Application Drawings



Powering PoE devices at standard and extended distances



The Vi22401U can power a wide range of IEEE standard PoE devices at standard and extended distances up to 60W.

Free Design Services

Vigtron offers free and without obligation network design services and technical support. Please contact us at support@vigtron.com for network designs specific to you application.

