

Vi30130

30-Port 1G L2+/L3 Lite Managed 90W IEEE 802.3bt PoE Switch

Features

- 20 x 1G Copper, 4 x 1G Combo ports and 2 x 1G independent Fiber uplink ports
- Redundant 48-57VDC 1000W back up power input
- IEEE 802.3bt class 0-8 PoE up to 90W per port
- Programmable PoE on 24 Ports
- 770W PoE budget
- 52.0 Gbps switch fabric for MP cameras
- Built in 6KV port surge protection
- Unique TimeZone reference for setting system synchronization
- G.8032 V1/V2 Rapid Ring protocol compliant
- Jumbo frame programming at all bandwidth settings
- Programmable port temperature settings
- Detail Syslog with Health status messaging
- LLDP and ACL status identification
- Programmable port connection monitor with automatic link and PoE reconnection



Applications

- IDF/MDF applications
- Schools, Offices and manufacturing buildings
- High MP and PoE cameras
- Access Control
- Parking lots, Garages

VigitrON's Vi30130 is a high performance, high power PoE switch. All copper ports can provide IEEE 802.3af/at/bt class 0-8 up to 90W. It is also compatible with some non-standard PoE up to 74W making the Vi30130 the perfect solution for powering cameras from any manufacturer and upgrading existing systems with devices requiring newer types of PoE. Up to 6 ports can be used for 1G fiber uplink connections.

It offers a unique TimeZone program setting references system time to connected devices such as computers and servers. This system provides synchronization for all events such as Syslog and SNMP messaging without the need of extra cost NTP servers or references outside of closed networks.

Vi30130 has high internal bandwidth and is the perfect MDF solution to connect to remote switches.

- High PoE budget of total 770W with IEEE 802.3af/at/bt up to 90W PoE per port
- 6 x 1G fiber uplink ports
- 52 Gbyte switch fabric
- G.8032 V1/V2 Rapid Ring protocol compliant

Technical Specifications*

Electrical

Ethernet Interface	20 x 10/100/1000BaseT Copper ports
Combo Interface	4 x 10/100/1000BaseT, Combo UTP/Fiber ports
Uplink	2 x 100/1000*BaseT, Independent Fiber ports
Packet Size	9600@ 100Mbps/1000Mbps
Bandwidth Sensing	MDI/MDIX
Switch Fabric	52 GB
Main Power	120-240VAC
Secondary Power Source	48-57VDC, 1000 W Maximum
PoE Output	IEEE 802.3af/at/bt, up to 90W per port
Power supply	780W
PoE Budget	770W
Power Consumption	8W, no load
Status LEDs	Power: Green System: Green Link/Activity: Orange (Ports 1-20), Green (Ports 21-28) Data rate: Orange (ON for 1G) PoE: Green, Active Fiber Link: Green
Connectors	Standard Ethernet : 24 x RJ-45 Connectors Console: 1 x RJ45 Connectors Fiber Optics: 6 x MSA compliant SFP Connector Main Power: IEC 320 –C14 Remote Power: Detachable terminal blocks
ESD Protection	IEC61000-4 +/-kv contact discharge/ +/-15kv air discharge
Lightning Prot.	4Kv 8/20us with IP30 Protection Level
Surge Protection	IEC61000-4-5/Power CM +/- 4kv/DM +/-2kv Port +/-4kv
RFC	2544 TCP/IP Packet Transmission, 768 UDP, 2068 HTTP 793 TCP, 791 IP, 1783 TFTP, 894 IP over Ethernet
PoE Compatibility	IEEE 802.3af/at/bt class 0-8
ERPS (Ring)	G.8032 V1/V2 <=50ms

Regulatory

FCC	Part 15, Subpart B, Class B 2010
Emissions	EN 5502:2006+A1:2007, EN 61000-3, EN55032, EN55035, EN50121, EN50155, 2:2006+A1:2009+A2:2009
Safety	CE, EN 62368 (Replacing EN60950-1)
LVD	EN 62368 (Replacing EN60950-1)
Environmental	RoHS
WEEE	Article 11 – Annex V Directive 2012 2012/19/EU

Environmental

Humidity	Operating: 5 to 95%, RH
Temperature	Operating: 0° to 40° C Storage: -20° to 70°C

Mechanical

Dimensions	1.75 x 17.16 x 11.4 in., 4.45x 43.6 x29 cm (HxWxL)
Weight	7.8 lb, 3.52kg
Housing	Sheet metal
Mounting	Desktop

Accessories

- Power Cord, Molded IEC 7 ft. (200 cm)
- Mounting Kit
- Console Cable
- USB Memory with Operations Manual

*Specifications subject to change without notice.

Ordering Information

Part No.	Description
Vi30130	30-Port 1G L2+/L3 Lite Managed 90W.3bt PoE Switch

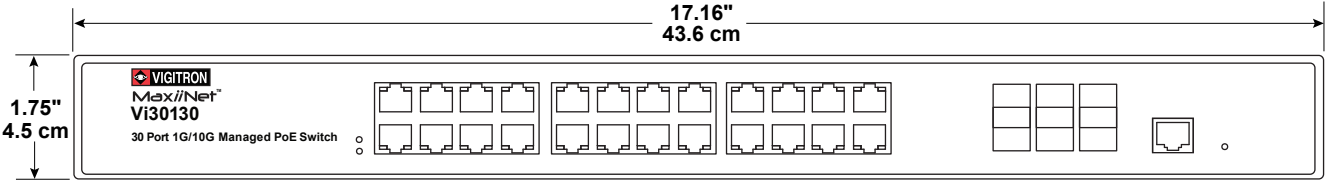


TEL (+1) 858-484-5209 • FAX (+1) 858-484-1205

7810 Trade Street, Suite 100, San Diego, CA 92121, USA • support@vigatron.com • www.vigatron.com

© Copyright 2023 Vigatron, Inc.

Product Drawings

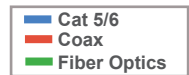


Front View

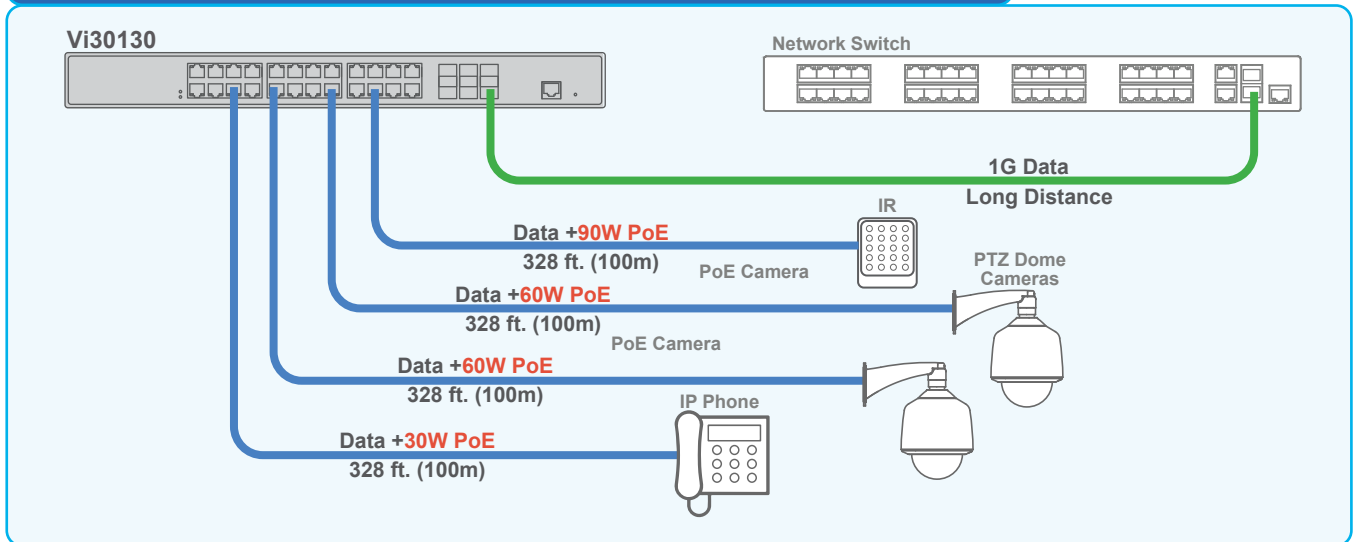


Rear View

Application Drawings

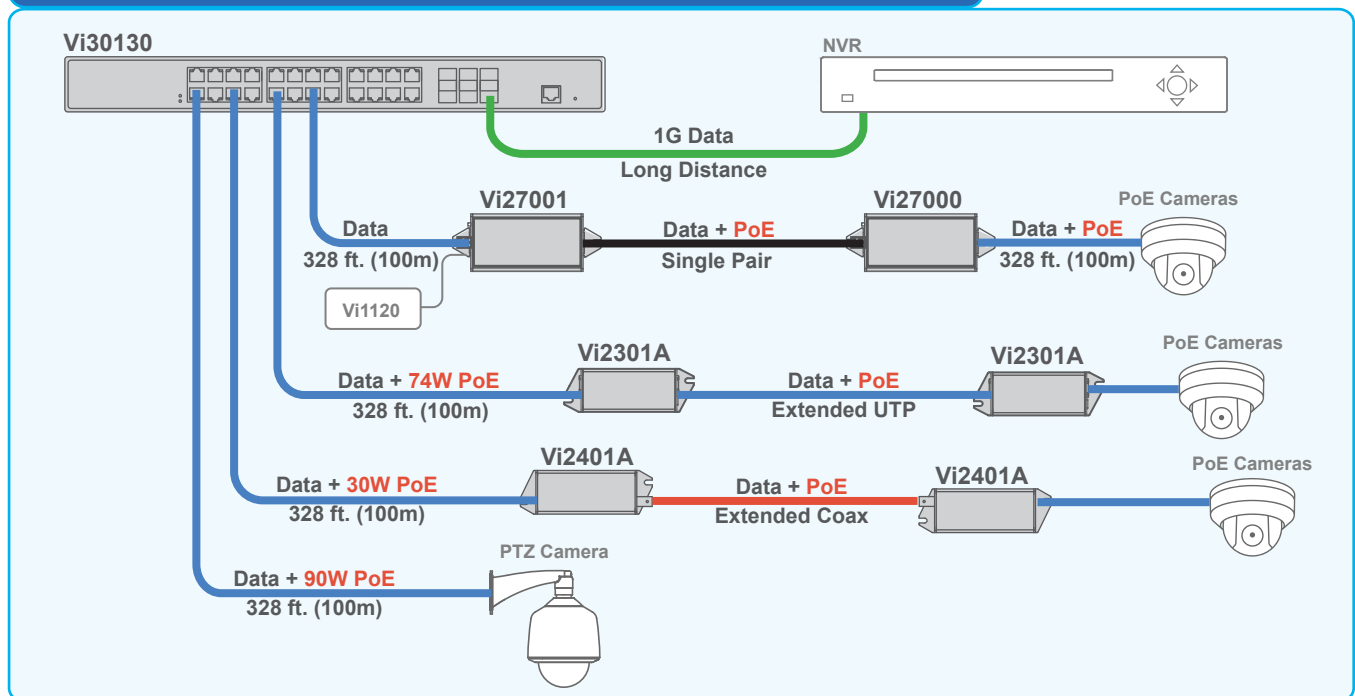


Connecting multiple IP devices and switches w/ data and 90W PoE



The Vi30130 can power different IEEE standard PoE devices up to 90W.

Connecting PoE cameras over extended Coax and UTP to NVRs

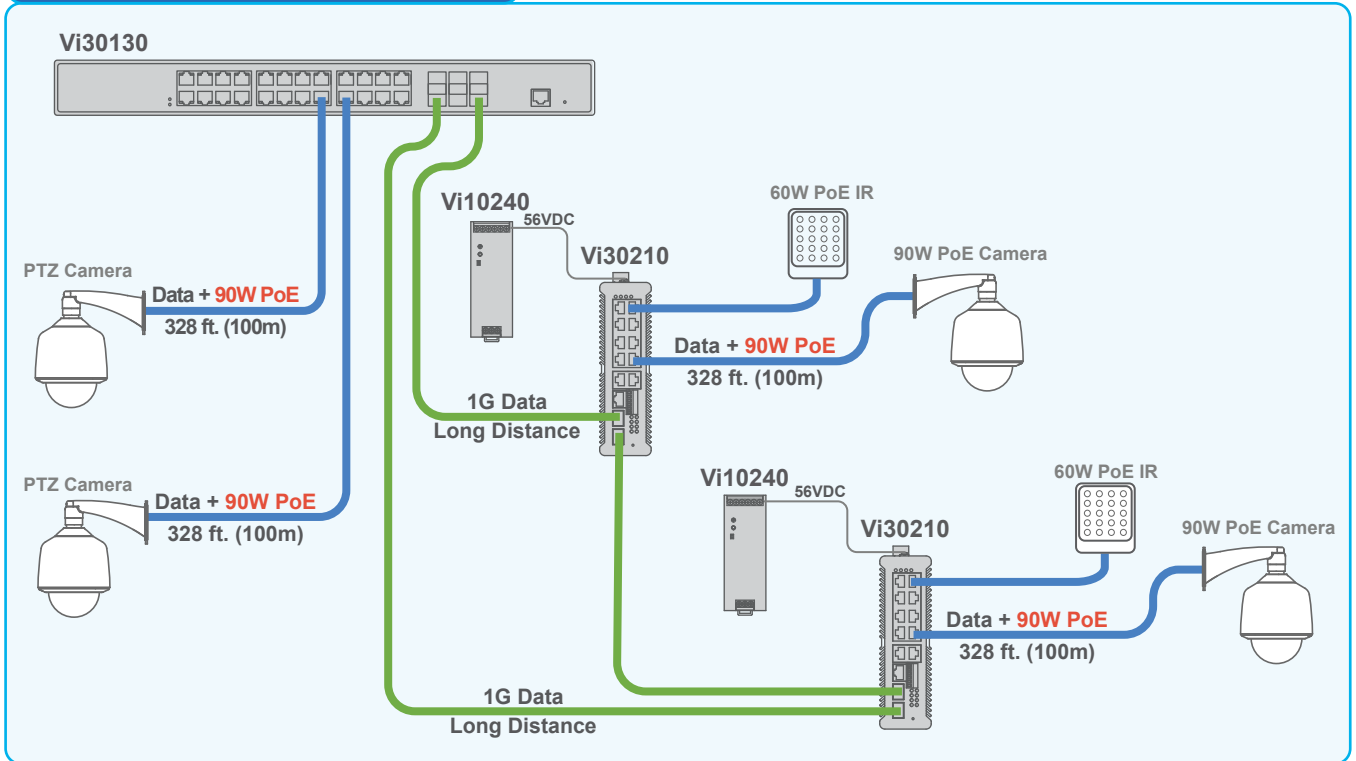


The Vi30130 can be used to connect and power IP devices over standard and extended distance UTP.

Application Drawings



The Ring Network Configuration



The Vi30130 and multiple Vi30210s can be used in a Ring Network configuration to increase the reliability of the network.