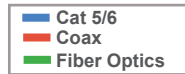
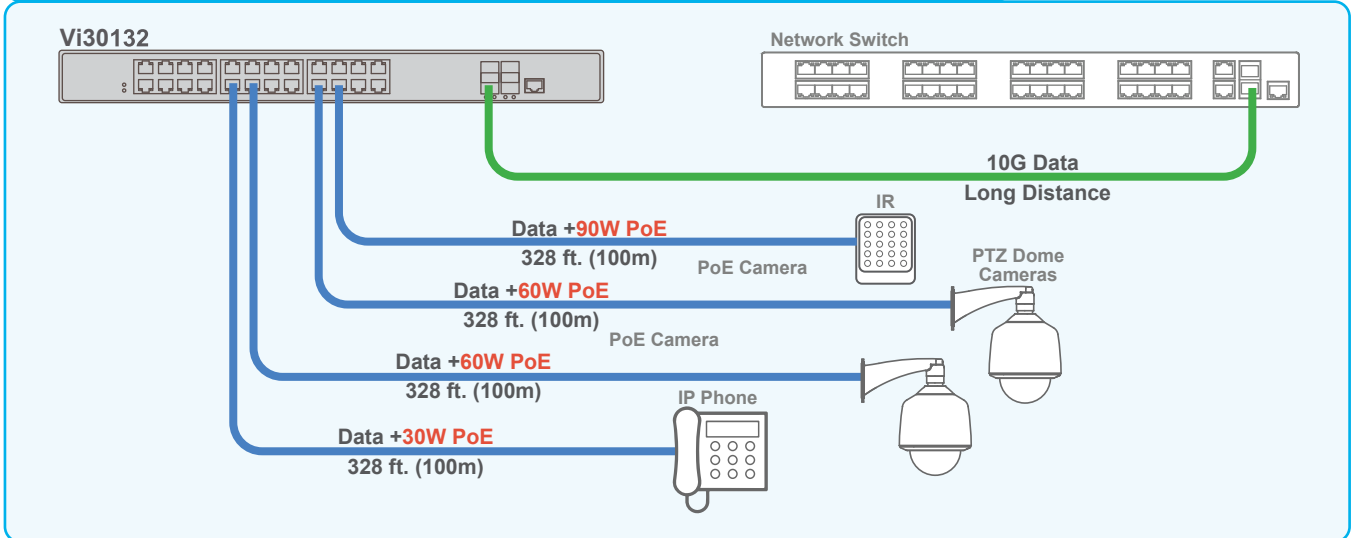


Application Drawings

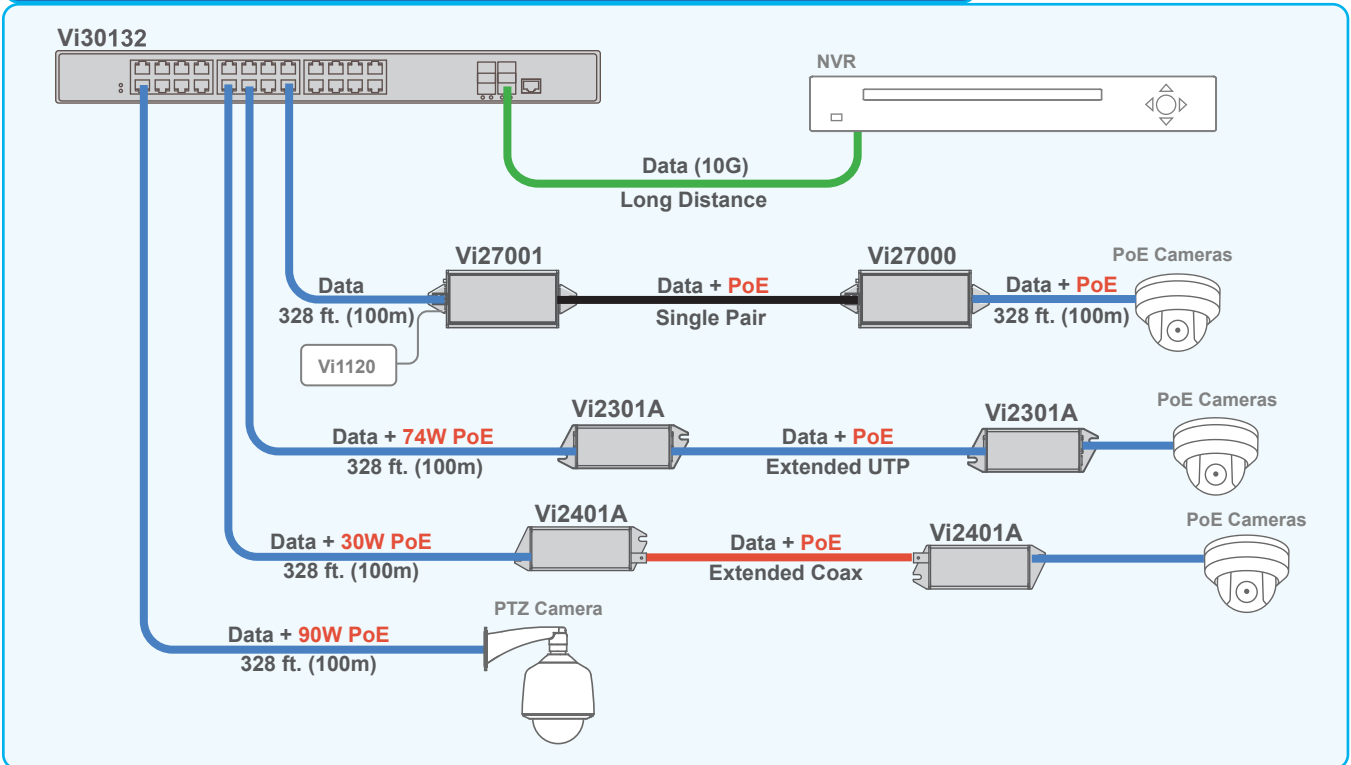


Connecting multiple IP devices and switches w/ data and 90W PoE



The Vi30132 can power different IEEE Standard PoE devices up to 90W.

Connecting PoE cameras over extended Coax and UTP to NVRs



The Vi30132 can be used to connect and power IP devices over standard and extended distance UTP.