

Vi30132

24-Port 1G IEEE 802.3bt PoE, 10G Uplink L2+/L3 Managed PoE Switch

Features

- 24 1G ports with high power PoE up to 90W
- PoE power compatible with IEEE 802.3bt up to 90W per port
- 4 x 1G/2.5G/10G uplink fiber ports
- Switch fabric of 128Gbps
- Jumbo frame programming at all bandwidth settings
- Layer 3 static trace routing
- Automatic IP and PoE reconnection
- 770W PoE Budget
- Backup DC external power up to 1000W
- G8032 V1/V2 Standard Ring Protocol
- Built in 8Kv contact and 15Kv air surge protection on all ports
- Lighting protection to 4Kv @ 8/20us duration IP30
- Unique TimeZone reference for setting system synchronization
- Programmable port temperature settings
- Detail Syslog with Health status messaging
- LLDP and ACL status identification
- Programmable port connection monitor with automatic link and PoE reconnection



Applications

- Core Switch network applications
- Daisy chained network applications.
- Large scale applications for high MP and Multiple sensor cameras
- Casinos, Airports, School Campus and more

Vigitrone's Vi30132 is an L2+/L3 Static Routing Managed Network Switch that answers the growing demands for higher bandwidth, packet handling and PoE. The Vi30132 provides IEEE 802.3bt compatible PoE power up to 90W, Classes 0-8 on all ports up to total power of 770W.

A unique Time/Date reference allows NTP linked to central computer or server for time/Date related functions. Up to four 1G/2.5G/10G uplinks can be used for lossless transmission of the highest connected image resolution, core switch or daisy chain applications. A redundant power input can accept up to 1000W to provide back up power in the event of the main power failure.

Link status is continuously monitored and displayed. In the event a link is lost and not recovered within 2 minutes, the switch will attempt to re-apply PoE and re-establish the link.

- High power PoE 770W PoE budget with 90W per port
- 1000W redundant back up input
- 802.3bt, Class 0-8 Compliant
- Four 1G/2.5G/10G uplink ports
- 128Gbyte Switch Fabric
- Program port monitoring for automatic re-connection and PoE application
- Layer 3 Lite Trace Routing
- Standard V.8032 V1/V2 Ring Protocol
- Time/Date Link to central system references

Technical Specifications*

Electrical

Ethernet Interface	10/100/1G Base-T, 1G, 2.5G, 10G uplink
Throughput	128Gbyte
Power Input	100- 240VAC 50-60Hz, internal universal
Redundent Power	57VDC up to 1000W power
Status LEDS	Traffic, Link, and PoE
Switch Capacity	95.24Mbps, 128Gbps
Ring Protocol	G.8032 V1/V2
PoE Delay	0-600 seconds
Jumbo Frame	up to 10.2K
MAC Address	32K
PoE Compatibility	IEEE 802.3af/at/bt up to 95 W Supports PoE configuration Supports auto restart Supports on/off
Connectors	24x RJ-45 Connectors, 1Gb 4 x Fiber MSA Compliant SFP, 1Gb/ 10G Main Power: IEC-320-C14 connector Redundent Power: Terminal Block Console: RJ45
Surge Protection	+/- 8Kv contact/ +/- 15Kv air/4Kv Lightning on all copper

Regulatory

FCC	Part 15, Class A
Safety	CE, CE, LVD (Low Voltage Directive : EN62368-1: 2014+A11:2017
Environmental	RoHS, WEEE

Environmental

Humidity	5 to 95%, RH
Temperature	Operating: 0° to 40° C Storage: -20° to 70° C

Mechanical

Dimensions	1.73" x 17.4" x 8.3", 44mm x 442mm x 221mm (HxWxL)
Weight	8.4 lb (3.8 Kg)
Housing	Sheet Metal

Accessories

- Power Cord
- Mounting Kit
- Console Cable
- Operations Manual

*Specifications subject to change without notice.

Ordering Information

Part No.	Description
Vi30132	28-Port GbE/10GbE 802.3bt PoE L2+/L3

Vi30132 Compatible ANSI/IEEE Standards

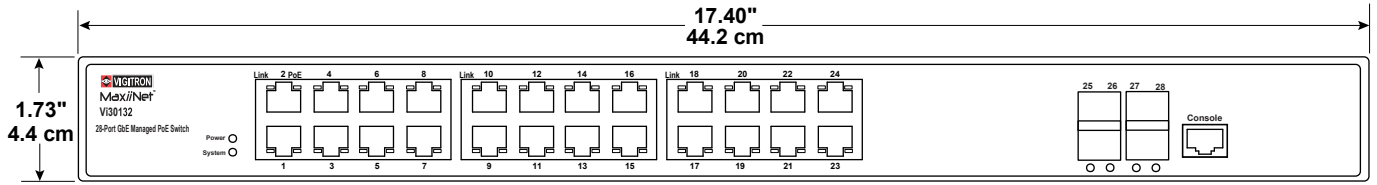
IEEE/ANSI Standard	Description
IEEE 802.3	Ethernet 10baseT UTP
IEEE 802.3u	Fast Ethernet 1000baseTX UTP Ethernet
IEEE 802.3ab	1000baseTX UTP
IEEE 802.3z	Ethernet 1000baseX
IEEE 802.3x	Flow control Capability
IEEE 802.1q	VLAN
IEEE 802.1p	Class of Service
IEEE 802.1x	Access Control
IEEE 802.1d	Spanning Tree
IEEE 802.1w	Rapid Spanning Tree
IEEE 802.1s	Multiple Spanning Tree
IEEE 802.1ad	Link Aggregation Control Protocol (LACP)
IEEE 802.1AB	Link Layer Discovery Protocol (LLDP)
IEEE 802.3ad	Trunking
IEEE 802.1Q	Tag Based VLAN
ANSI/IEEE 802.3	Auto – negotiation
IEEE 802.3ae	IEEE 10G Ethernet Standard

Minimum System Requirements

- Web Browser: Mozilla Firefox v2.5 or later, Microsoft Internet Explorer v6 or later
- Category 5 Ethernet cable Cat 5
- TCP/IP, network adapter, and network operating system (such as Microsoft Windows or Linux) installed on each computer in the network



Product Drawings

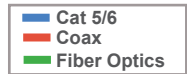


Front View

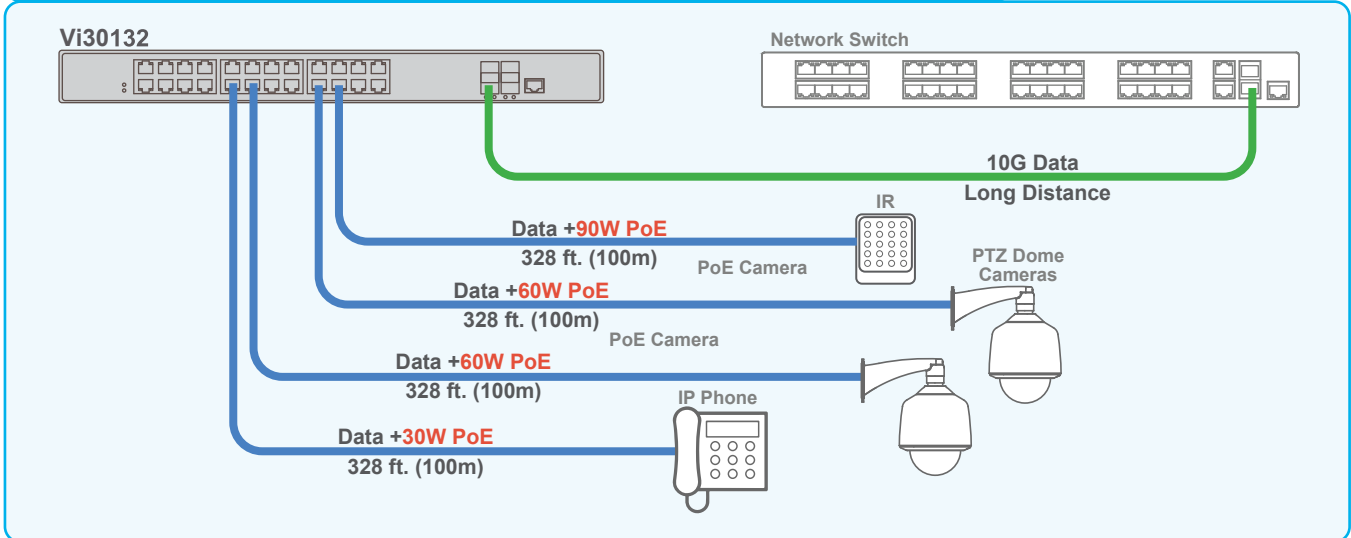


Rear View

Application Drawings

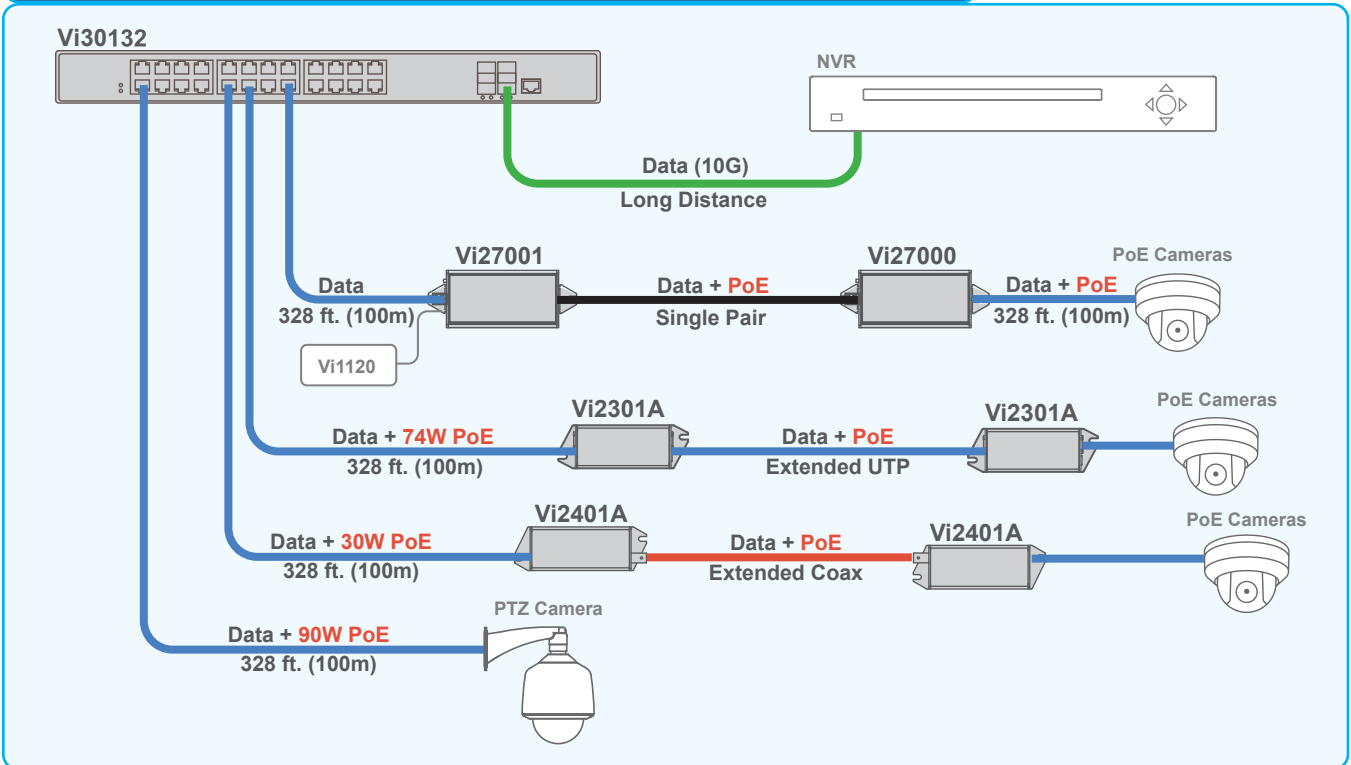


Connecting multiple IP devices and switches w/ data and 90W PoE



The Vi30132 can power different IEEE Standard PoE devices up to 90W.

Connecting PoE cameras over extended Coax and UTP to NVRs



The Vi30132 can be used to connect and power IP devices over standard and extended distance UTP.