

Vi30202U

Coax Ethernet Extender w/60W PoE & DC input

Features

- Coax Ethernet extender for distances up to 5,000 feet (1,515m)
- Uses 24-48VDC or 24VAC input power to provide IEEE 802.3bt up to 60W PoE power
- Automatically senses PD power class and single or dual PD devices
- Compact size, easily fits into most existing housings and camera mounts
- Hardened with wide range operating temperature of -20°C to +65°C
- Symmetric Bandwidth(SBW™) provides consistent upload and download with Virtual Zero Packet Loss (VZPL™) over total specified distance
- MegaPixel Certified (MPC™) High data rate, ideal for high bandwidth requirements of Mega-pixel cameras for Jumbo Frame transmission
- Type tested to RFC-2544 TCP/IP network bandwidth packet transmission standards
- Fully transparent to Ethernet networks and higher layer protocols
- Data rate selectable to for maximum bandwidth utilization
- Complies to major IEEE standards and RFC network protocols for UDP, TCP/IP, HTTP/HTTPS



Applications

- Easy and cost effective conversion of existing PTZ analog cameras to IP systems
- Simplifying installation of IP cameras that require separate DC or AC power for heaters and blowers
- Extending Networks in industrial environment

The Vi30202U is the perfect solution for replacing existing analog PTZ cameras with IP PTZ cameras. It uses existing Coax cable for transmitting IP video up to 5,000 feet (1,515 m) and the existing 24-48VDC or 24VAC power supply as power input to provide IEEE802.3bt up to 60W PoE power to the cameras. Using the existing Coax cable and power supply provides great time and cost saving.

Its unique Symmetric Bandwidth (SBW™) assures full bandwidth transmission is maintained over the entire operational distance for both uploads and downloads with Virtual Zero Packet Loss (VZPL™). Type tested under NEMA-TS2 environmental standards for extended temperature operations between -20C° to +65C°. The Vi30202U is MegaPixel Certified (MPC™), type tested to network packet performance standards, and major manufacturer compatibility tested to assure you error free and reliable operations.

Its compact design allows to be installed in many weatherproof and security houses or many types of camera mounts to further reduce installation costs.

Installation cost savings, proven performance, and major camera brand compatibility all go into making Vigitron's MaxiiCopper™ Vi30202U your best choice for extended distance data and power transmission.

Technical Specification*

Electrical

Ethernet Interface	Standard 10/100BaseT
Data Rate	Auto select 10/100 Mb/s Full speed / full duplex at maximum rated distance
Coax	75 Ohm 5,000 feet (1,515 m) at 10BaseT 1,800 feet (546 m) at 100BaseT
PoE Output Power	60W @ 56 VDC**
Input Power	24-48 VDC / 24 VAC, 2.7 A Maximum
Status LEDs	Power On PoE Standard Ethernet: Traffic, Link Extended Ethernet: Traffic, 10/100BaseT
Connectors	Ethernet Interface: Shielded RJ-45 Connector Extended Interface: Female BNC Power: Pluggable 2-pin connector
RFC	2544 TCP/IP Packet Transmission
PoE Compatibility	IEEE 802.3af, at, bt up to 60W PoE
RFC	768 UDP, 2068 HTTP, 793 TCP 791 IP, 1783 TFTP, 894 IP over Ethernet
Jumbo Frame Support	Yes

Regulatory

Safety	CE
Environmental	RoHS, WEEE

Environmental

Humidity	0 to 95%, non-condensing
Temperature	Operating: -20°C to +65°C per NEMA-TS2 testing Storage: -40°C to +85°C

Mechanical

Dimensions	5.62 x 2.4 x 1.9 in., 14.27 x 6.1 x 4.83 cm (HxWxL)
Weight	1.03 lb, 466 g
Material	Extruded Aluminum

*Specifications subject to change without notice.

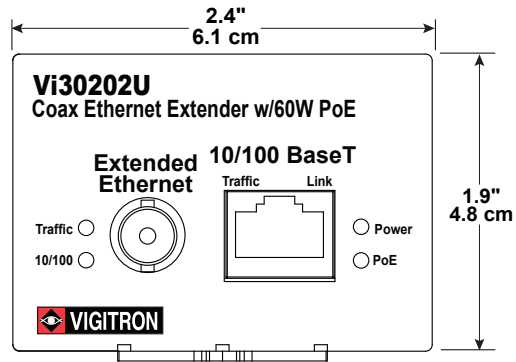
**Output power dependent on supplied input power

Ordering Information

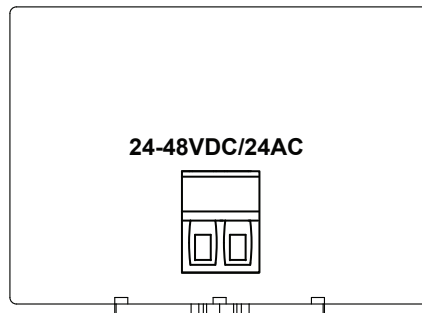
Part No.	Description
Vi30202U	24VDC/24VAC 60W PoE Coax Extender



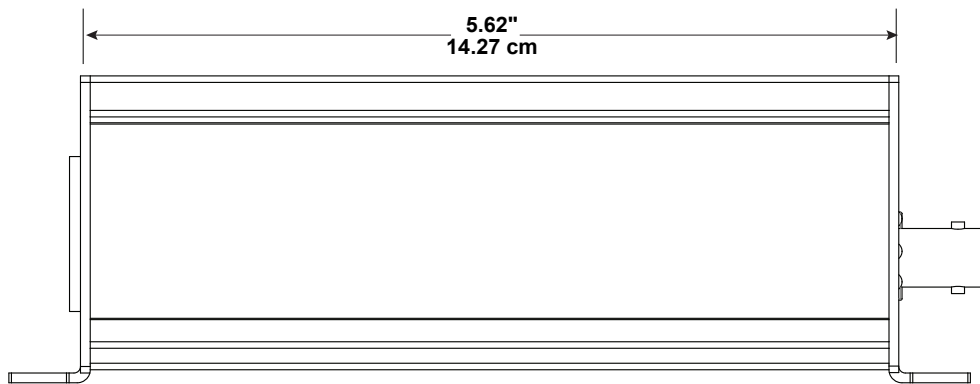
Mechanical Drawings



Front View



Rear View

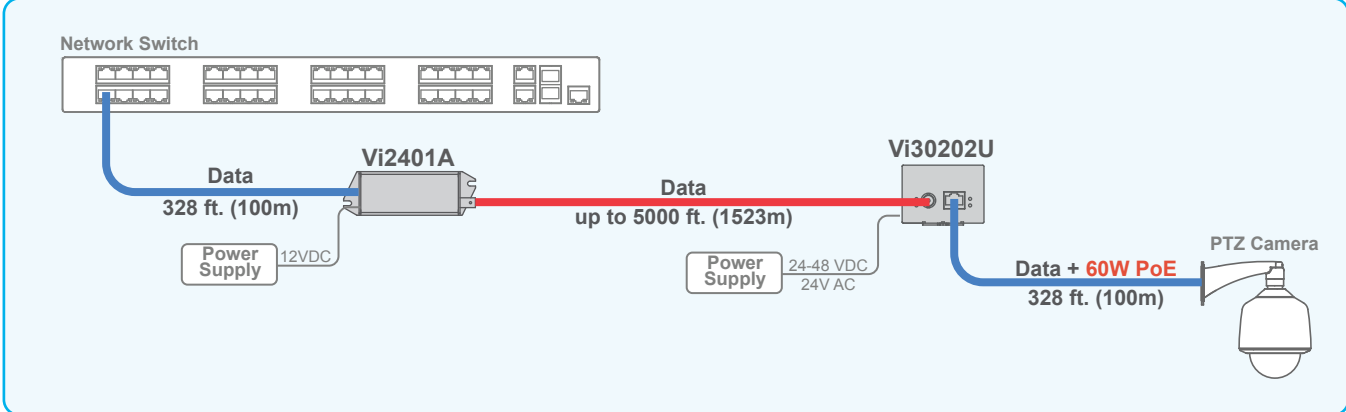


Side View

Application Drawings



Providing PoE to PTZ Cameras at long distances over Coax



Vi30202U along with Vi2401A can be used to provide data and PoE transmission over long distance coax cables.