

# Vi00021U

## IP camera Installation and 90W PoE Test Tool

### Features

- Provides a simple way to setup and focus PoE powered IP cameras
- Maintains PoE power to the IP camera while making a local Ethernet connection to a laptop to view the camera image
- Displays accurately the PoE voltage and power at the camera
- 10/100/1000BASE-T compliant with integrated network crossover
- Compatible with IEEE 802.af, at, bt class 0-6 and UPoE up to 90W
- Does not require external power source, uses PoE power from the network
- Low cost and easy to use
- Speeds up the IP camera installation
- Patented design

### Applications

- Installing and troubleshooting PoE cameras
- Installing or troubleshooting PoE enabled devices
- CCTV System for Casinos, Airports, School campuses



Vigtron's Vi00021U ViewMate™ is a compact but powerful tool for installing and troubleshooting PoE powered devices. It accurately and continuously measures and displays the voltage and power level of PoE at the camera input up to 90W.

The Vi00021U ViewMate™ passes the PoE power from the "Network" Ethernet port to the remote PoE powered devices such as an IP camera thru "Camera" port, and the "Laptop" port provides direct network connection from the remote IP camera to a local laptop for focusing and set up.

Powered directly from PoE sources, the Vi00021U doesn't require any external power. It is compatible with IEEE 802.3af/at/bt Class 0-6, UPoE and most non-standard PoE systems up to 90W for 10/100/1000Base-T connections.

ViewMate's patent-pending design offers a small and rugged packaging. It is an ideal diagnostic tool for all installers working with both CCTV and IT PoE systems.

# Technical Specification\*

## Electrical

Connectors	"POE In": RJ-45 Connector "Monitor": RJ-45 Connector "Camera": Built-in 9 inch Cat-5 cable with RJ45 plug
Network Interface	10/100/1000BASE-T, Half or Full Duplex Includes integrated network crossover
Laptop Interface	10/100/1000BASE-T, Half or Full Duplex Integrated network crossover
PoE Standards	IEEE 802.3af, at, bt Class 0-6, UPoE and most non-standard PoEs up to 90W
Display	PoE Voltage: 2-Digit LED Display PoE Power: 2-Digit LED Display
Power Supply	Uses PoE, no external power needed

## Environmental

Humidity	0 to 95%, non-condensing
Temperature	Operating: -40°C to +75°C Storage: -40°C to +80°C
Dimensions	1.52x1.09x2.24 in., 3.87x2.75x5.67 cm (HxWxL)
Weight	0.116 lb, 53 g
Material	ABS plastic, UL rating of 94V-0

\*Specifications subject to change without notice.

## Ordering Information

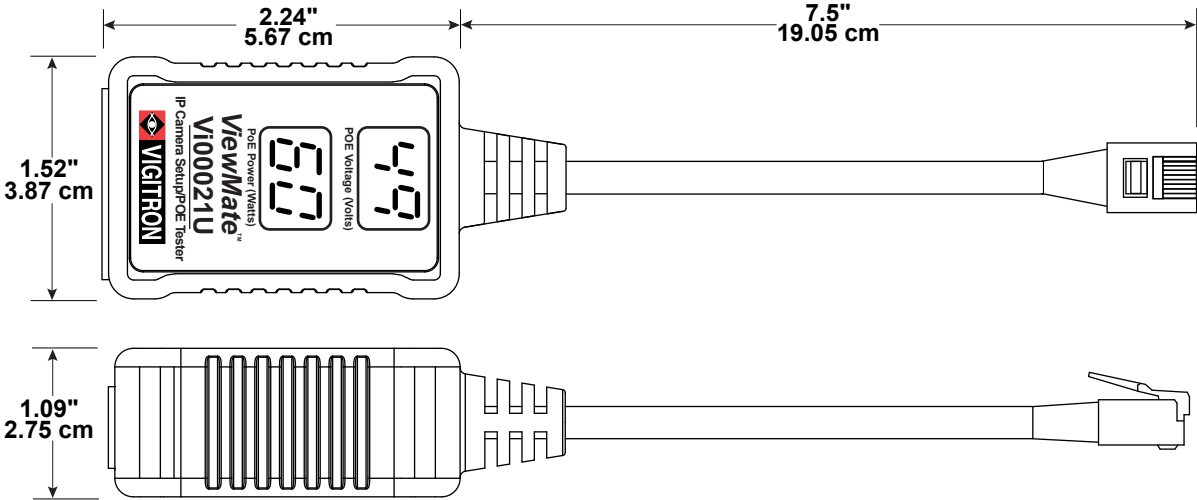
Part No.	Description
<b>Vi00021U</b>	IP camera Installation and PoE Tester Tool

## Related Products

Part No.	Description
<b>Vi00019</b>	IP Camera Setup and PoE Test Tool
<b>Vi00022</b>	Wireless IP Camera setup and PoE Tester Tool
<b>Vi00023L</b>	Wireless IP Camera Installation Tool w/PoE Power Bank
<b>Vi00023</b>	Wireless IP Camera Installation Tool w/Removable PoE Power Bank
<b>Vi00024</b>	PoE Maximum Load Meter
<b>Vi00027</b>	PoE Test Tool



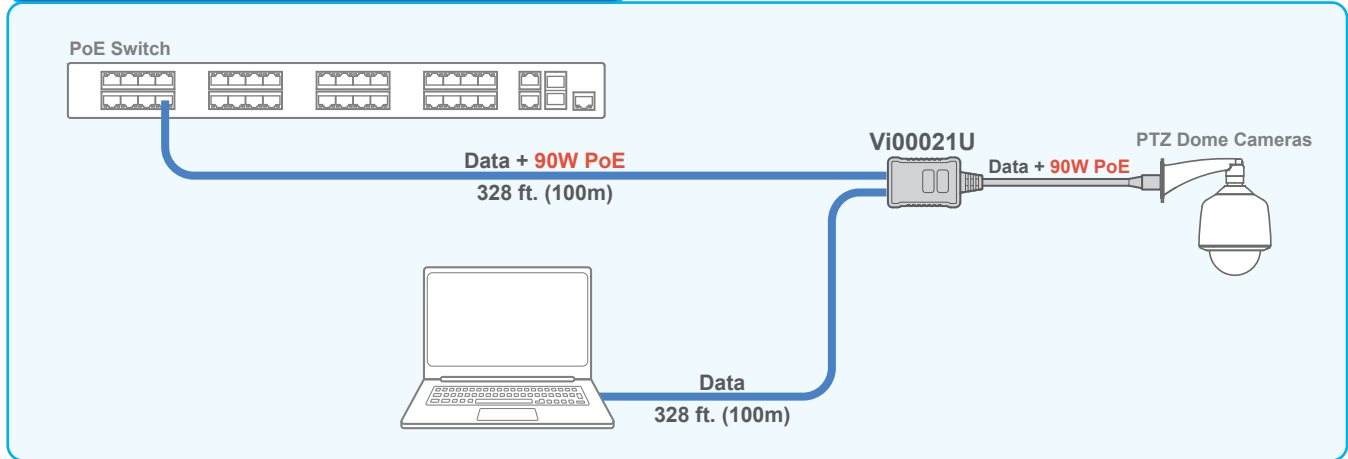
# Mechanical Drawings



# Application Drawings

— Cat 5/6

## Connecting the camera to wired devices



The Vi00021U enables connecting to a laptop using a wired connection to setup and focus IP cameras.